

► Substrate Fixtures Capabilities

Overview

Our modular substrate fixtures are versatile platens with the necessary ancillaries to hold, rotate, index, heat, cool, and bias a sample or samples. They are designed to easily integrate with our various deposition process modules, shutters, masks, and other periphery to form complete deposition stages for your process requirements.

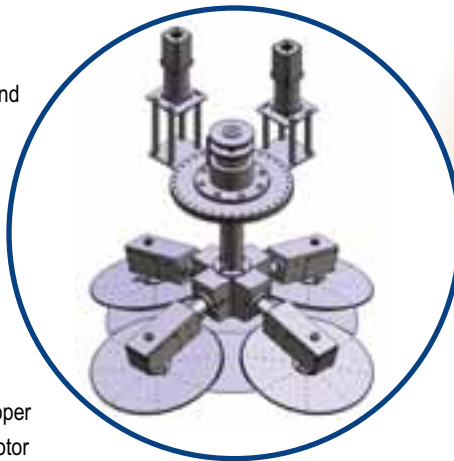
In addition to our standard, modularized substrate fixtures, we also offer custom solutions. Contact our specialists at subassemblies@lesker.com for more information and to discuss your sample handling needs.

Platen

- Standard platen size up to 6" O.D.
- Accommodates single or multiple substrates
- Designed for batch, load, and unload or load lock transfer
- Stainless steel or high-temp alloys

Rotation

- Substrate rotation and indexing
- Single sample or planetary configurations
- Variable speed control to 20 rpm standard
- DC gear motor, stepper motor, and servo motor options



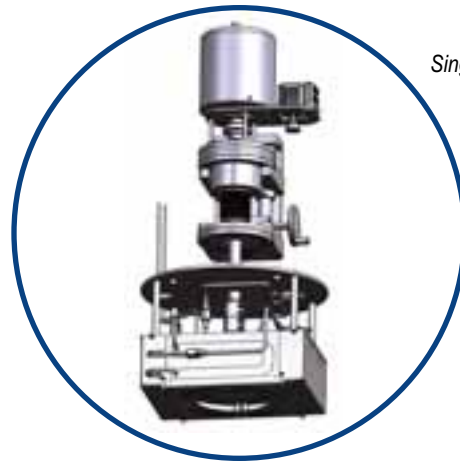
Multiple Sample
(Planetary) Fixture

Heating & Cooling

- Accommodates single or multiple substrates
- Standard heating to 800° C
- Resistive button or quartz lamp configurations
- Manual or PID temperature control with thermocouple
- LN₂ or water-cooling available

Bias & Glow Discharge

- Mild substrate cleaning
- RF or DC to 100 W

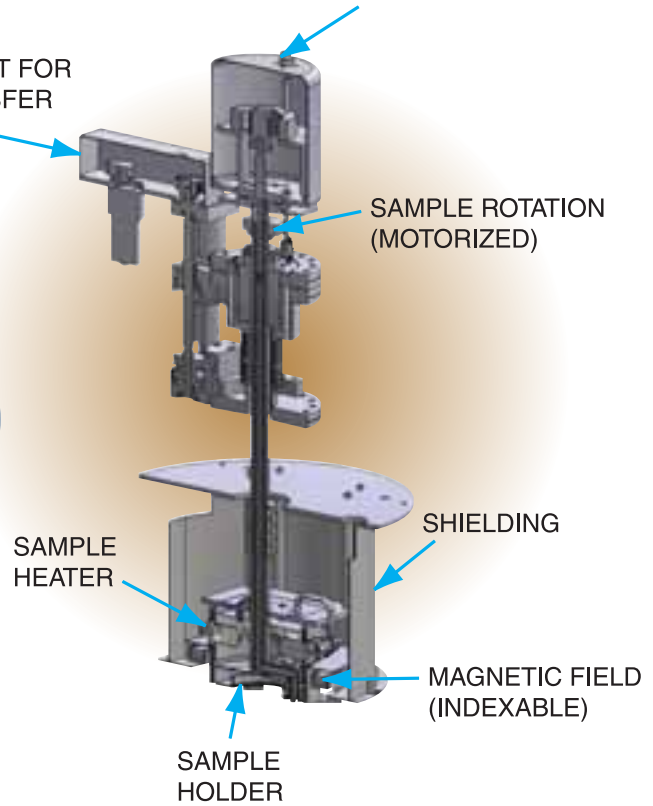


Single Sample
Fixture

VERTICAL SHIFT FOR
SAMPLE TRANSFER
(MOTORIZED)

RF BIAS CONNECTION

SAMPLE ROTATION
(MOTORIZED)



SAMPLE
HEATER

SHIELDING

MAGNETIC FIELD
(INDEXABLE)

SAMPLE
HOLDER



Continuous Sample
Fixture