

# KJLC<sup>®</sup> Cold Cathode (Inverted Magnetron)

## Medium to UHV Gauge



**Kurt J. Lesker<sup>®</sup>**  
Company

**VACUUM MART<sup>™</sup>**  
DIVISION

### Applications

---

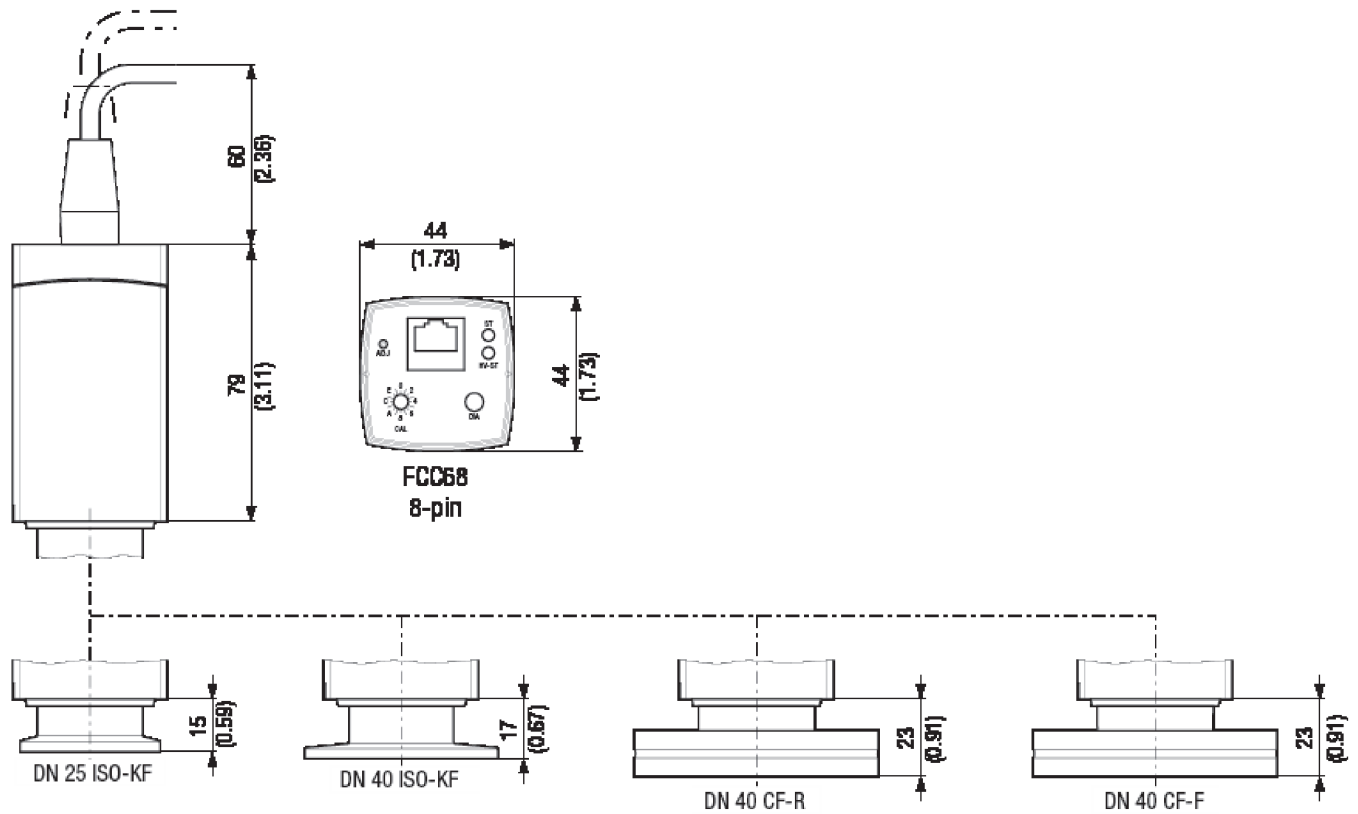
- General vacuum measurement
  - Industrial furnaces
  - Architectural glass
  - Semiconductor
  - Refrigeration and air conditioning
- Analytical and R&D
  - Mass spectrometry
  - Electron microscopes
  - Medical ophthalmic
  - Optical and high energy physics

### Features

---

- Long lifetime in harsh environments
- Low magnetic stray field
- Zero maintenance - replaceable insert
- Super compact size
- Reliable fast ignition
- Corrosion proof feedthrough
- Compliance & standards: CE, EN, UL, SEMI, RoHS

[www.lesker.com](http://www.lesker.com)



Dimensions Approximate

## Specifications

Measurement Range	7.6x10 <sup>-10</sup> to 7.6x10 <sup>-3</sup> Torr (1x10 <sup>-9</sup> to 1x10 <sup>-2</sup> mbar)
Accuracy (% of Measurement)	7.6 x 10 <sup>-10</sup> to 7.6 x 10 <sup>-3</sup> Torr (1.0 x 10 <sup>-9</sup> to 1 x 10 <sup>-2</sup> mbar) ±30%
Temperature (Operating)	+40 to 130°F (+5 to +55°C)
Temperature (Storage)	-40 to 158°F (-40 to + 70°C)
Temperature (Bakeout)	≤300°F (≤150°C)
Materials Exposed to Vacuum	Nickel Alloy, Aluminum Oxide, Glass, Stainless Steel
Repeatability (Typical)	±5% of reading
Analog Outputs	0 to +10.5 V
Input Power	+14.5 to +30 V (DC), ≤2 W
Connections	FCC68/RJ45, 8-pin, Female
Mounting Options	Any
Weight	DN25 ISO-CF: 0.62 lbs. (0.28 kg.) DN40 ISO-KF: 0.71 lbs. (0.32 kg.) DN40 CF-F & CF-R: 1.26 lbs. (0.57 kg.)
Humidity	1 x 10 <sup>-7</sup> to 1 x 10 <sup>-2</sup> mbar ≤95 % (non-condensing) 1 x 10 <sup>-8</sup> to 1 x 10 <sup>-2</sup> mbar ≤70 % (non-condensing)

Kurt J. Lesker Company (KJLC) specifications and/or test data may not be copied, reproduced or referenced without express written permission of KJLC.

**Kurt J. Lesker**®  
Company Enabling Technology for a Better World | [www.lesker.com](http://www.lesker.com)

Kurt J. Lesker Company  
United States - salesus@lesker.com  
412.387.9200  
800.245.1656

Kurt J. Lesker Canada Inc.  
Canada - salescan@lesker.com  
416.588.2610  
800.465.2476

Kurt J. Lesker Company Ltd.  
EMEIA - EMEIASales@lesker.com  
+44 (0) 1424 458100

Kurt.Lesker (Shanghai) Trading Company  
科特·莱思科(上海)商贸有限公司  
Asia - salesasia@lesker.com  
+86 21 50115900