

# TORUS<sup>®</sup> Mag Keeper<sup>™</sup>

## Magnetron Sputtering Sources



**Kurt J. Lesker**<sup>®</sup>  
Company

**PROCESS EQUIPMENT**<sup>™</sup>  
DIVISION

### Applications

---

- R&D
- Optics
- Decorative
- Medical
- Sensors

### Features

---

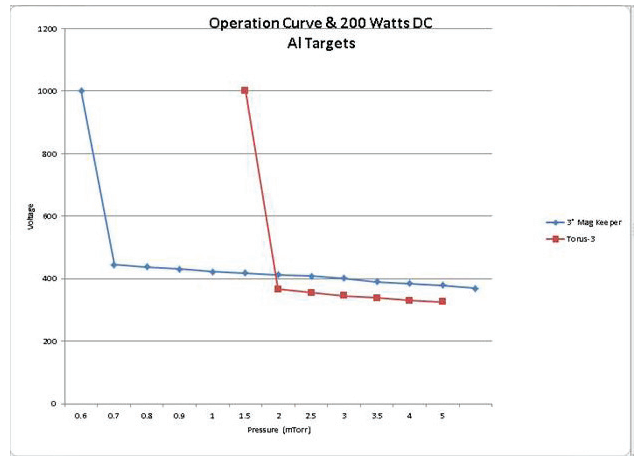
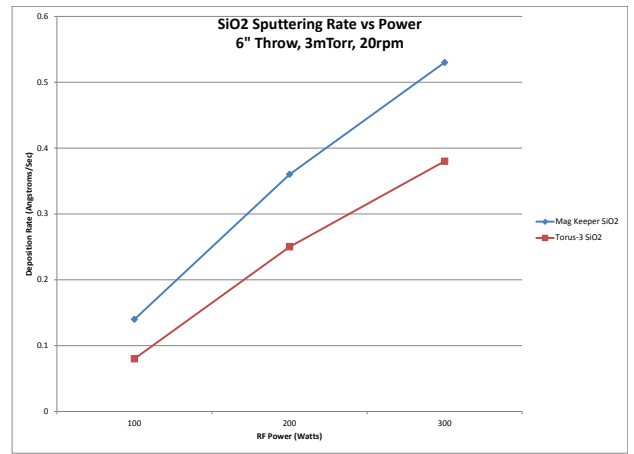
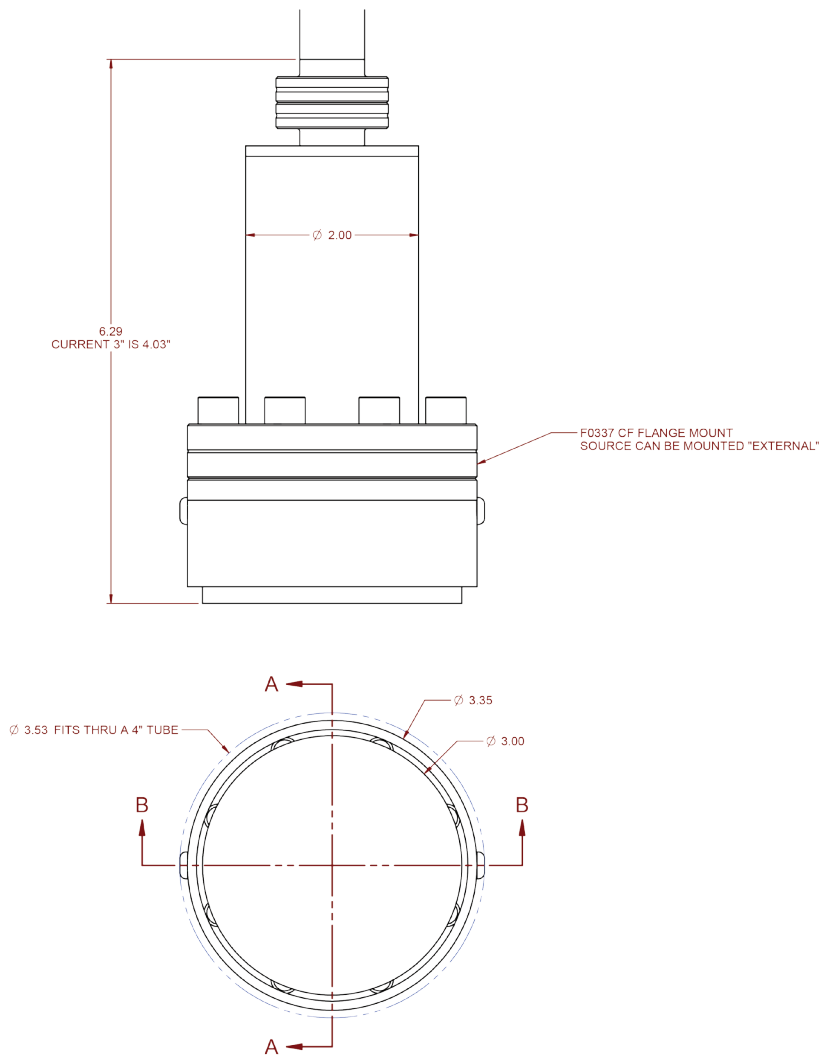
- HV and UHV Compatible  
(*Note: Bakeable with cooling water flow*)
- Magnets NOT exposed to cooling water
- RF, DC, Pulsed DC, and HIPIMS operation
- Balanced and Unbalanced magnet options
- Quick and easy target change, no tools required
- No dark top space shield
- No target clamp
- No O-rings
- Accommodates targets up to 0.375" thick
- Low operating pressures (<1mTorr)
- High Power/ High Rate capability

### Options

---

- Angular Flex Stem
- Right Angle Stem
- Deposition Chimney
- Gas Ring
- High Strength Magnets
- Capable of sputtering up to 0.120" thick Fe
- Compact Dome Shutters
- Cluster Assemblies

[www.lesker.com](http://www.lesker.com)



## Specifications

Magnet Assembly	High strength, rare earth NdFeB (Neodymium Iron Boride)
Power Rating	Capable of operating at power densities $\geq 200$ watts/ in <sup>2</sup> (Max powers will vary based on target material properties) Upper level power densities may require the use of a thermal medium.
Operating Pressure	0.5-50 mTorr
Target Sizes	2", 3", and 4" OD
Target Thickness	Accommodates up to 0.375"
Target Change	No target clamp or top anode shield
Magnet Modification	Quick change magnet assembly
Seals	No O-rings - magnets NOT exposed to cooling water
Target Utilization	Typical utilization in the 30% range (with Non-Magnetic materials in a non-reactive mode)
Vacuum	HV and UHV
Worldwide Technical Support	Headquarters in USA, Canada, Europe and China
Warranty	All products covered by a 1-year warranty

Kurt J. Lesker Company (KJLC) specifications and/or test data may not be copied, reproduced or referenced without express written permission of KJLC.

**Kurt J. Lesker** Company **Enabling Technology for a Better World** | [www.lesker.com](http://www.lesker.com)

Kurt J. Lesker Company  
United States - salesus@lesker.com  
412.387.9200  
800.245.1656

Kurt J. Lesker Canada Inc.  
Canada - salescan@lesker.com  
416.588.2610  
800.465.2476

Kurt J. Lesker Company Ltd.  
EMEIA - EMEIASales@lesker.com  
+44 (0) 1424 458100

Kurt.Lesker (Shanghai) Trading Company  
科特·莱思科(上海)商贸有限公司  
Asia - salesasia@lesker.com  
+86 21 50115900

15-055