



PDR900

SERIES 900 CONTROLLER

The PDR900 power supply and readout unit is a stand-alone, single channel controller for use with the Series 900 digital vacuum transducers. The instrument sets new standards for vacuum gauge controllers and can be used as a stand-alone power supply readout unit or as a tool for configuration, calibration and diagnostics of system integrated transducers in OEM applications.

Features & Benefits

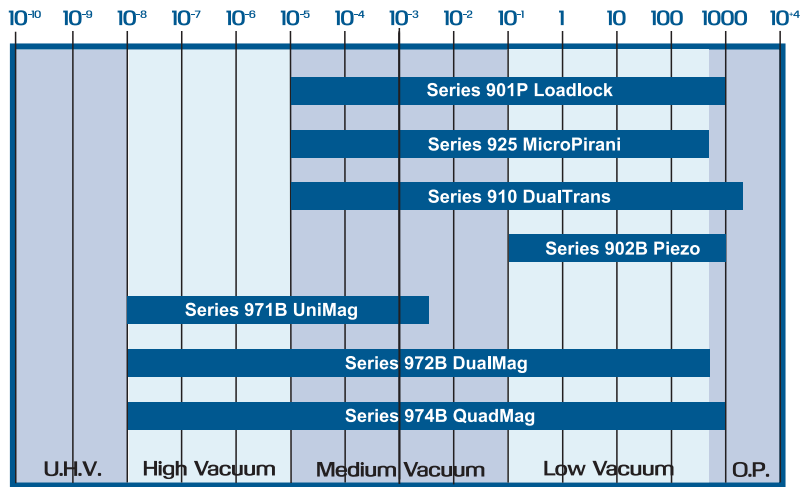
- LCD menu display for easy user interface
- Easy to read 5 digit LED display
- Three high power set point relays for process control
- Auto setup permits plug and play functionality
- Leak detection tool for system diagnostics
- Data logging tool for process monitoring
- Simplified setup and configuration of transducer parameters
- Front panel indicators provide clear, concise overview of set point relay status
- Alarm function provides warning in case of vacuum line or venting failure
- Code protection function to prevent unauthorized access to critical settings
- Calibrate transducers quickly and easily
- Ease of operation via analog output and digital communication
- Robust, compact design can be used on the bench or rack mounted
- Light-weight, aluminum housing is ideally suited for field service applications
- World-wide universal power supply, 100 to 240 VAC/ 50-60 Hz
- RoHS and CE compliance

Description

The PDR900 controller is the ideal solution for vacuum measurement, configuration of digital transducers and advanced system diagnostics. The controller features an easy to use menu-driven user interface, which guides the user through setup and configuration of remote transducer parameters.

The readout unit communicates digitally with the transducer which eliminates analog measurement noise coupling via transducer cables. The unit automatically detects the transducer type, and can be used with both RS232 and RS485 transducers.





The PDR900 controller is compatible with the digital Series 900 transducers, shown in graph.

User Interface and Display

The controller's menu-driven user interface provides easy access to the digital transducer settings via push button controls on the front panel (Figure 1).



Figure 1

The alpha numeric LCD display features a green back-lit screen that is easily visible in low light conditions. The 5-digit LED display provides a clear readout of the measured pressure.

The multi-colored set point indicators provide a quick and clear overview of the set point relay status. Units are selectable and can be displayed in either Torr, mbar, or Pascal.

The PDR900 features various display modes that allow the user to display pressure in an analog bar graph readout (Figure 2) or show set point status information.

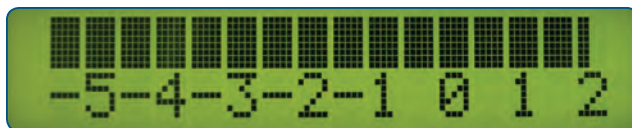


Figure 2

Data Capture and Analysis

The built-in data logging tool allows the user to perform measurement acquisitions and eliminates the need for a separate PC and software. The measurements are logged to the internal non-volatile memory with a capacity of 450 measurements.

The data logger can be programmed to acquire data from seconds to hours. The time stamped measurements are either viewed on the screen or uploaded to a PC for subsequent analysis or data plotting (Figure 3).

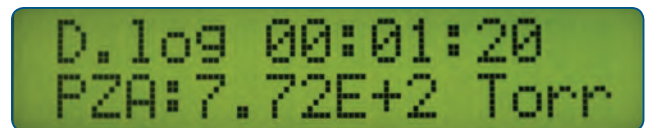


Figure 3

The data logger can also be used to perform and document outgassing tests of vacuum chambers by monitoring pressure rise over time.

Power Set Point Relays

The PDR900 has up to three power set point relays, depending on the transducer type. The relays are controlled by the transducer relay contacts, eliminating the need for external power relays. The relay connector has terminal screw connections for quick and easy connectivity.

Digital and Analog Communication

The PDR900 is equipped with both an RS232 and RS485 user interface as a standard feature. The communication interface enables remote control of transducer setup as well as transmission of measurement data. The user interface type is selected via the controller menu (Figure 4).



Figure 4

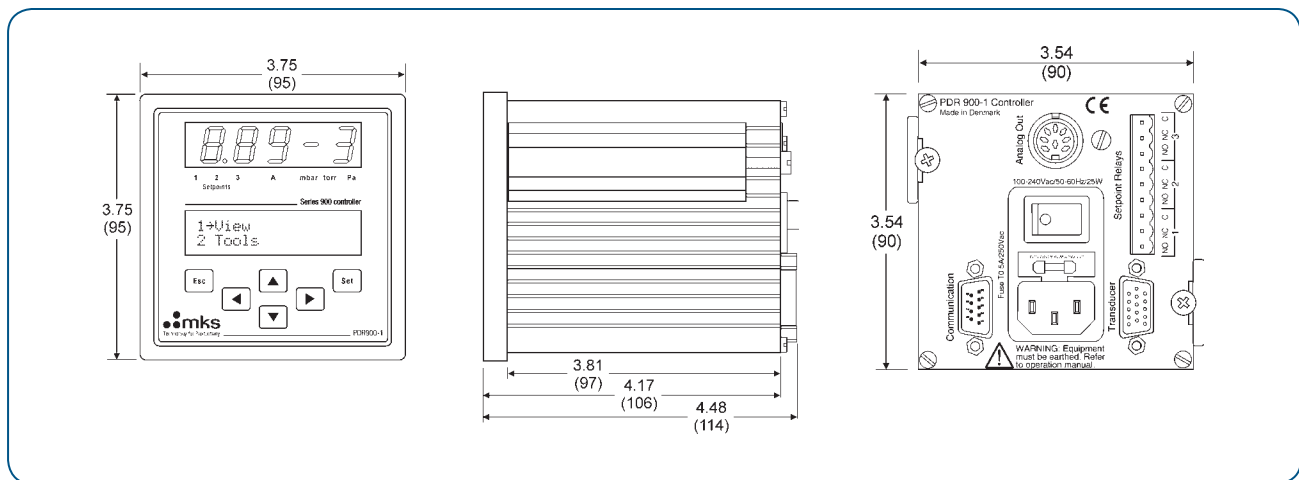
Additionally, the transducer analog output voltage is available on the rear panel of the PDR900 controller.



Specifications

Display Range	1.0 x 10 ⁻⁸ to 1,500 Torr (transducer dependent)
Pressure Units	User selectable: Torr, mbar, Pascal
Operating Temperature	5° to 40°C (41° to 104°F)
Storage Temperature	-10° to 55°C (14° to 131°F)
Power Requirements	100-240 VAC, 50-60 Hz, 25 Watts
User Interface	RS232 / RS485 (transducer only) and analog output (transducer dependent)
Relays	Up to 3 relays, SPDT (transducer dependent)
Relay Contact Rating	4 A @ 250 VAC, resistive
Display	5 digit, 14.2 mm, green LED
Weight	1.4 lbs (0.625 kg)
Electronic Casing	Painted aluminum
Mounting	96 x 96mm, DIN43700
CE Certification	2004/108/EC EMC Directive 73/23/EEC Low Voltage Directive
Compatible Transducers	901P, 902B, 910, 925, 971B, 972B, 974B

Note: The PDR900 operates 100% digitally, and consequently, there is no loss of accuracy from the measured transducer pressure value to the displayed pressure value. For transducer specifications and performance, please refer to individual transducer datasheets.



Dimensional Drawing —

Note: Unless otherwise specified, dimensions are nominal values in inches (mm referenced).



Ordering Information

PDR900 Controllers

Part Number	Description
PDR900-12-US	PDR900 Single Channel Controller, RS232/RS485, region US
PDR900-12-EU	PDR900 Single Channel Controller, RS232/RS485, region EU
PDR900-12-UK	PDR900 Single Channel Controller, RS232/RS485, region UK
PDR900-12-DK	PDR900 Single Channel Controller, RS232/RS485, region DK
PDR900-12-JP	PDR900 Single Channel Controller, RS232/RS485, region JP, SI Units

PDR 900 controllers are supplied complete with power cord (region specific), manual, mounting hardware and set point connector kit

Cables

Transducers with RS232 communication & 15 pin D sub PDR900 to Series 901P, 902B, 910, 925, 971B, 972B, 974B

Part Number	Description
100013620	Cable, PDR900 to 15 Pin, 10ft (3m)
100013622	Cable, PDR900 to 15 Pin, 25ft (7.6m)

Transducers with RS485 communication & 15 pin D sub PDR900 to Series 901P, 902B, 910, 925, 971B, 972B, 974B

Part Number	Description
100013671	Cable, PDR900 to 15 Pin, 10ft (3m)
100013673	Cable, PDR900 to 15 Pin, 25ft (7.6m)

Transducers with RS232 communication & 9 pin D sub PDR900 to Series 902B, 925

Part Number	Description
100013613	Cable, PDR900 to 9 Pin, 10ft (3m)
100013615	Cable, PDR900 to 9 Pin, 25ft (7.6m)

Transducers with RS485 communication & 9 pin D sub PDR900 to Series 902B, 925

Part Number	Description
100013664	Cable, PDR900 to 9 Pin, 10ft (3m)
100013666	Cable, PDR900 to 9 Pin, 25ft (7.6m)

Accessories

Part Number	Description
100005456	Rack Panel, 19", 3U, 1/4 DIN, blank
100005457	Rack Panel, 19", 3U, 1/4 DIN, 1 cutout
100005458	Rack Panel, 19", 3U, 1/4 DIN, 2 cutouts
100005459	Rack Panel, 19", 3U, 1/4 DIN, 3 cutouts
100005460	Rack Panel, 19", 3U, 1/4 DIN, 4 cutouts
100013638	Analog Output DIN8P
100010757	Set Point Connector Kit
100013690	Mounting Hardware
100013695	Operating Manual



MKS Instruments, Inc. Global Headquarters

2 Tech Drive, Suite 201
Andover, MA 01810
Tel: 978.645.5500
Tel: 800.227.8766 (in USA)
Web: www.mksinst.com

MKS Instruments, Inc. Pressure & Vacuum Measurement Solutions

6450 Dry Creek Parkway
Longmont, CO 80503
Tel: 303.652.4400