

Kurt J. Lesker[®] Company

Accessory part number and connection
schematics for KJLC[®] 375 Series Panel
Mount / Benchtop Gauge Controller



Kurt J. Lesker[®]
Company **Enabling Technology for a Better World | www.lesker.com**

Kurt J. Lesker Company
United States - salesus@lesker.com
+1 412 387 9200
+1 800 245 1656

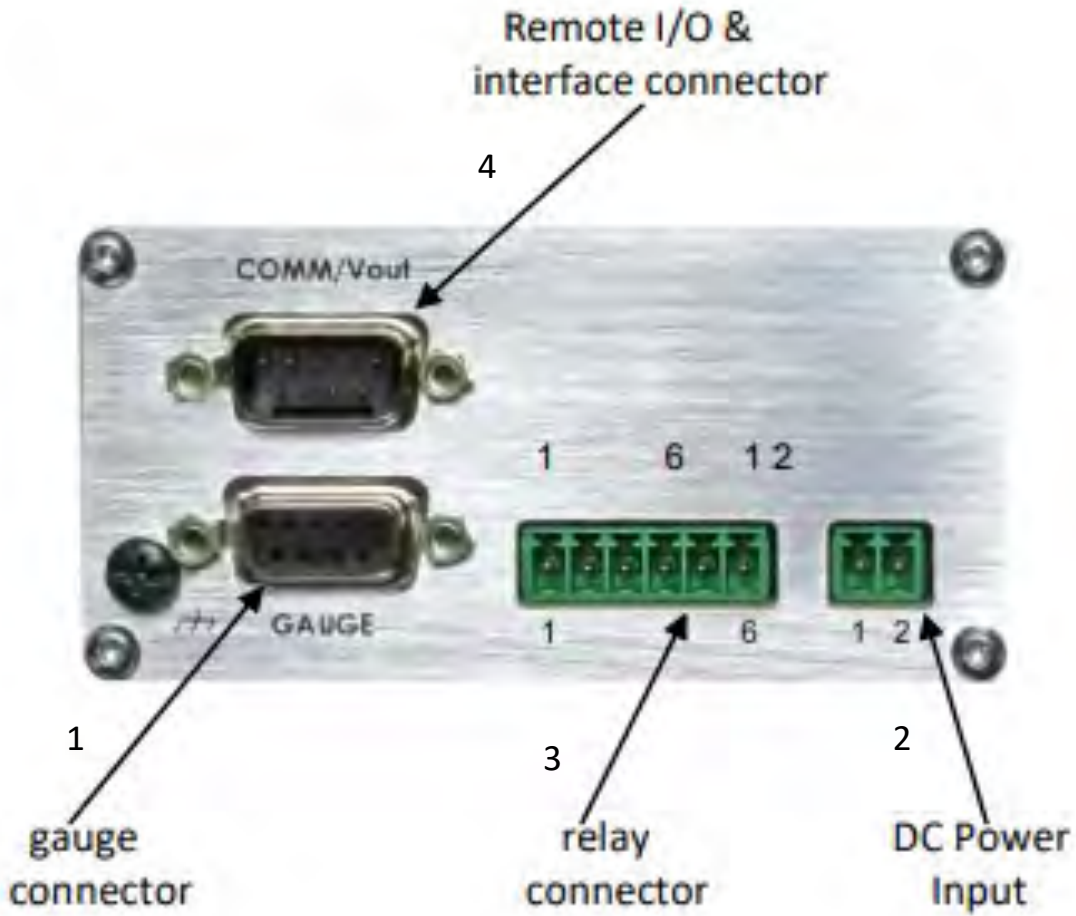
Kurt J. Lesker Canada Inc.
Canada - salescan@lesker.com
+1 416 588 2610
+1 800 465 2476

Kurt J. Lesker Company Ltd.
EMEIA - EMEIASales@lesker.com
+44 (0) 1424 458100

Kurt.Lesker (Shanghai) Trading Company
科特·莱思科(上海)商贸有限公司
Asia - salesasia@lesker.com
+86 21 50115900



KJLC 375 Cable Schematic



Kurt J. Lesker Company Enabling Technology for a Better World | www.lesker.com

Kurt J. Lesker Company
United States - salesus@lesker.com
+1 412 387 9200
+1 800 245 1656

Kurt J. Lesker Canada Inc.
Canada - salescan@lesker.com
+1 416 588 2610
+1 800 465 2476


Kurt J. Lesker Company Ltd.
EMEIA - EMEIASales@lesker.com
+44 (0) 1424 458100


Kurt.Lesker (Shanghai) Trading Company
科特·莱思科(上海)商贸有限公司
Asia - salesasia@lesker.com
+86 21 50115900



KJLC 375 Ordering Information

Controller	
Controller	Part Number
KJLC 375	KJL375011BA

Cable 1: KJLC 275 Convection Gauge (only 1x gauge Required)		
Cable Length	Cable Part Number	KJL275 Cable
10 ft (3m)	CB421-1-10F	
25 ft (8m)	CB421-1-25F	
50 ft (15m)	CB421-1-50F	
>50 ft	Consult Factory	

Cable 2: Power Supply (only 1x Required)		
Region	Cable Part Number	
US	KJLPS301A	
UK	KJLPS301UK	
EU	KJLPS301EU	
China	KJLPS301C	
None	KJLPS301UX (mains not included)	

Cables 3 and 4: Relays and I/O
Customer Fabricated, pinouts in manual

Kurt J. Lesker® Company **Enabling Technology for a Better World** | www.lesker.com

Kurt J. Lesker Company
United States - salesus@lesker.com
+1 412 387 9200
+1 800 245 1656

Kurt J. Lesker Canada Inc.
Canada - salescan@lesker.com
+1 416 588 2610
+1 800 465 2476

Kurt J. Lesker Company Ltd.
EMEIA - EMEIASales@lesker.com
+44 (0) 1424 458100

Kurt.Lesker (Shanghai) Trading Company
科特·莱思科(上海)商贸有限公司
Asia - salesasia@lesker.com
+86 21 50115900



KJLC 375 Ordering Information

Compatible Gauges with Cable 1 (only 1x Required)		
Gauge Type	Flange	Part Number
Convection Enhanced Pirani	1/8" NPT	KJL275071
Convection Enhanced Pirani	KF16	KJL275203
Convection Enhanced Pirani	KF25	KJL275196
Convection Enhanced Pirani	KF40	KJL275316
Convection Enhanced Pirani	DN16CF	KJL275256
Convection Enhanced Pirani	DN40CF	KJL275238
Convection Enhanced Pirani	4 VCR Female	KJL275185
Convection Enhanced Pirani	8 VCR Female	KJL275282

Kurt J. Lesker[®] Company **Enabling Technology for a Better World** | www.lesker.com

Kurt J. Lesker Company
 United States - salesus@lesker.com
 +1 412 387 9200
 +1 800 245 1656

Kurt J. Lesker Canada Inc.
 Canada - salescan@lesker.com
 +1 416 588 2610
 +1 800 465 2476

Kurt J. Lesker Company Ltd.
 EMEA - EMEIASales@lesker.com
 +44 (0) 1424 458100

Kurt.Lesker (Shanghai) Trading Company
 科特·莱思科(上海)商贸有限公司
 Asia - salesasia@lesker.com
 +86 21 50115900

