

SPECTROS™

PVD 100

Glovebox Compatible Thin Film Deposition System



Kurt J. Lesker®
Company

PROCESS EQUIPMENT™
DIVISION

Applications

- Designed for university, industrial, and government lab R&D thin film deposition
- OLED organic electronics applications
- OPV device fabrication
- Thin film batteries applications
- Perovskite device fabrication

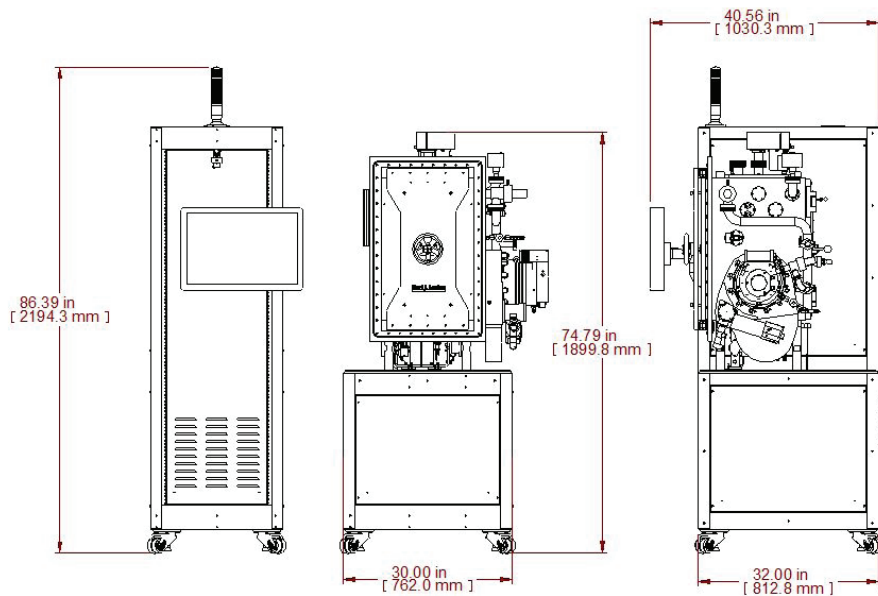
Process Modules

- Low Temperature Evaporation Sources
- Thermal evaporation
- Magnetron sputtering: RF, DC, Pulsed DC
- Electron beam evaporation

Options

- Film thickness control
- Various substrate fixtures
- Substrate heating, cooling
- Upstream or downstream pressure control
- On-site installation and training

www.lesker.com



Dimensions Approximate

Specifications

Process Chamber Volume	100 liters
Process Chamber Geometry	Box Shaped 304L Stainless Steel chamber: 15.25" wide x 16.50" deep x 24" high (387.4mm wide x 419.1mm deep x 610mm high), internal dimensions.
Process Chamber Construction	304L Stainless Steel with 6061 Aluminum Hinged Door
Cabinet Construction	Carbon Steel, Fully Enclosed Instrument Rack, Open Chamber Area, Gray Powder Coat Finish
Deposition Sources (Available in various combinations)	Up to 4 LTE Organic Material Evaporation Sources
	Up to 6 3" Torus® Magnetron Sputtering Cathodes
	4-Pocket 8cc Electron Beam Source, 8-Pocket 12cc, and 6-Pocket 20cc Available
	Up to 6 2" Thermal Evaporation Sources
Deposition Orientation	Sputter Up, Evaporation Up
Substrate Size (max)	100mm x 100mm, 150mm Dia
Substrate Heating	Up to 850°C
Standard Vacuum Pumping	790 l/sec Turbo Pump, 1250 l/sec Turbo or 1500 l/sec Cryo Pump Available
Gauging	Wide Range Vacuum Gauge
Base Pressure Turbo Pump (CDE)	2×10^{-7} torr (2.7×10^{-7} mbar)
Process Gas	2 Channel Manual with Optional Mass Flow Control with Pressure Control
System Control	PC-Based HMI, with Optional Recipe Control and Datalogging
Required Power (typical, based on options)	208VAC, 3Ø, 50/60 Hz; Optional 380VAC, 3Ø, 50/60 Hz
Available Certifications, Markings	CE, CSA and NRTL
Warranty	12 Months upon Shipment
Overall Dimensions (approx)	53.5" (1358.9mm) wide x 32" (812.8mm) deep x 75.9" (1928mm) high
Weight (approx)	1,800 lbs (816 kg)

Kurt J. Lesker Company (KJLC) specifications and/or test data may not be copied, reproduced or referenced without express written permission of KJLC.

Kurt J. Lesker® Company Enabling Technology for a Better World | www.lesker.com

Kurt J. Lesker Company
United States - salesus@lesker.com
412.387.9200
800.245.1656

Kurt J. Lesker Canada Inc.
Canada - salescan@lesker.com
416.588.2610
800.465.2476

Kurt J. Lesker Company Ltd.
EMEIA - EMEIASales@lesker.com
+44 (0) 1424 458100

Kurt.Lesker (Shanghai) Trading Company
科特·莱思科(上海)商贸有限公司
Asia - salesasia@lesker.com
+86 21 50115900