



VAT Vakuumventile AG  
CH-9469 Haag, Schweiz

## Product data sheet

**All-Metal Gate Valve, Series 48.2, DN 63 (ID 2 1/2")**

**OSL-Article No. 48236-CE74-0001**

### Description

Flange	DN 63 CF-F
Actuator	compact, pneumatic double acting, with solenoid, with position indicator
Feedthrough	bellows

### Technical data

Leak rate	
- To the outside	$< 1 \cdot 10^{-10} \text{ mbar ls}^{-1}$
- Seat	$< 1 \cdot 10^{-10} \text{ mbar ls}^{-1}$
Molecular flow conductance	400 ls <sup>-1</sup>
Pressure range	XUHV to 2 bar (abs)
Test pressure	1 bar
Differential pressure on the gate	
- in closing and opening direction	2 bar
Max. differential pressure at opening	
- in closing and opening direction	500 mbar, 1 bar with reduced cycle life
Cycles until first service	20'000
Bake-out temperature	
- Valve	$\leq 200^{\circ}\text{C}$
- Actuator	$\leq 200^{\circ}\text{C}$ (for max. 100h)
- Solenoid	$\leq 80^{\circ}\text{C}$
- Position indicators	$\leq 80^{\circ}\text{C}$
Heating and cooling rate	$\leq 50^{\circ}\text{C h}^{-1}$
Material	
- Body	1.4435, AISI 316 L
- Flange	1.4435 ESU, AISI 316 L ESR
- Gate	1.4435, AISI 316 L
- Mechanism (in contact with media)	1.4435, AISI 316 L
- Bellows	1.4435, AISI 316 L
Seal	
- Bonnet	metal
- Gate	metal
- Actuator	Viton®
Mounting position	any

Created by: Kurt Sonderegger	Release date: 02.06.04	Page 1 of 3
Modified by: M.Greuter	Release date: 25. November 2011	<b>250852EB</b>



VAT Vakuumventile AG  
CH-9469 Haag, Schweiz

## Product data sheet

**All-Metal Gate Valve, Series 48.2, DN 63 (ID 2 1/2")**

**OSL-Article No. 48236-CE74-0001**

### Solenoid

- Supply voltage according to P. O.
- Power required 2.5 W
- 1 x 3 pole plug

### Position indicator

- 1 switch for «open» and 1 switch for «close»
- Contact rating  $\leq 50 \text{ V AC / DC ; } \leq 1.2 \text{ A}$
- 1 x 7 pole plug

### Radiation resistance

- Valve  $10^8 \text{ Gy (} 10^{10} \text{ rad)}$
- Actuator  $10^5 \text{ Gy (} 10^7 \text{ rad)}$
- Position indicator  $10^5 \text{ Gy (} 10^7 \text{ rad)}$
- Solenoid  $10^4 \text{ Gy (} 10^6 \text{ rad)}$

### Compressed air pressure min. - max.

4 - 8 bar / 55 - 110 psig (overpressure)

### Volume of air cylinder

0,52 l / 0,019 ft<sup>3</sup>

### Compressed air connection

R 1/8" (USA: 1/8" NPT)

### Action at power failure

- Valve closed no change
- Valve open valve closes

### Action at compressed air failure

- Valve closed no change
- Valve open undefined

### Closing time

2 s

### Opening time

2 s

### Weight

16,0 kg / 34 lbs

## Dimensions

Dimensional drawing No. 208118B

Created by: Kurt Sonderegger	Release date: 02.06.04	Page 2 of 3
Modified by: M.Greuter	Release date: 25. November 2011	<b>250852EB</b>



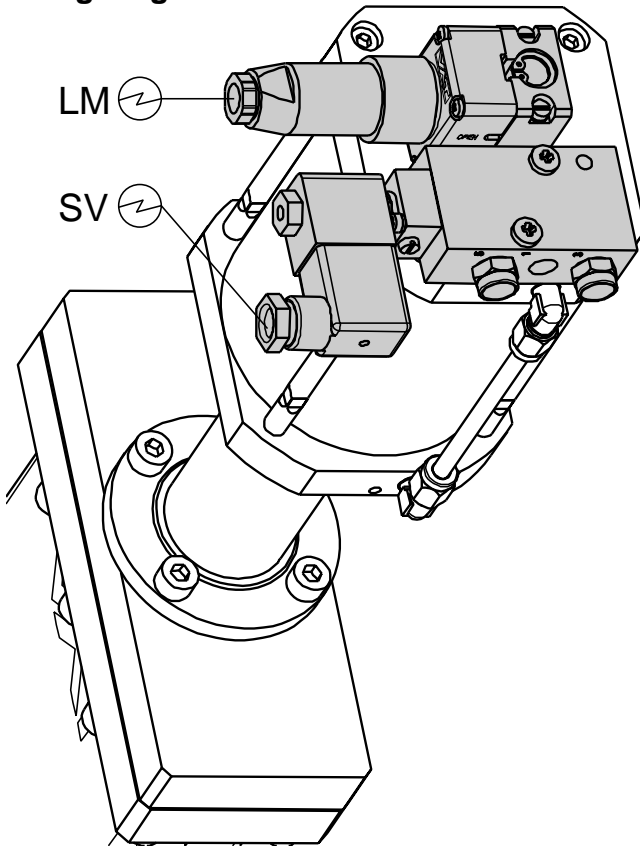
VAT Vakuumventile AG  
CH-9469 Haag, Schweiz

## Product data sheet

All-Metal Gate Valve, Series 48.2, DN 63 (ID 2 1/2")

OSL-Article No. 48236-CE74-0001

### Wiring diagram



⊕ LM Electrical connection for position indicator

⊕ SV Electrical connection for solenoid

