



VAT Vakuumventile AG
CH-9469 Haag, Schweiz

Product data sheet

All-Metal Gate Valve, Series 48.1, DN 40 (ID 1¹/₂"

OSL-Article No. 48132-CE24-0002

Description

Flange	DN 40 CF-F
Actuator	pneumatic double acting, with position indicator, without solenoid
Feedthrough	bellows

Technical data

Leak rate	
- To the outside	$< 1 \cdot 10^{-10}$ mbar ls ⁻¹
- Seat	$< 1 \cdot 10^{-10}$ mbar ls ⁻¹
Molecular flow conductance	9 ls ⁻¹
Pressure range	UHV to 2 bar (abs)
Test pressure	1 bar
Differential pressure on the gate	
- in closing and opening direction	2 bar
Max. differential pressure at opening	
- in closing and opening direction	1 bar
Cycles until first service	20'000
Bake-out temperature	
- Valve	$\leq 300^{\circ}\text{C}$
- Actuator	$\leq 200^{\circ}\text{C}$ (for max. 100 h)
- Position indicator	$\leq 80^{\circ}\text{C}$
Heating and cooling rate	$\leq 50^{\circ}\text{C h}^{-1}$
Material	
- Body	1.4435, AISI 316 L
- Flange	1.4435, ESU, AISI 316 L ESR
- Gate	1.4435, AISI 316 L
- Mechanism (in contact with media)	1.4435, AISI 316 L
- Bellows	1.4435, AISI 316 L
Seal	
- Bonnet	metal
- Gate	metal
- Actuator	viton®
Mounting position	any

Created by: M. Greuter	Release date: 30. August 2011	Page 1 of 3
Modified by::	Release date:	291183EA



VAT Vakuumventile AG
CH-9469 Haag, Schweiz

Product data sheet

All-Metal Gate Valve, Series 48.1, DN 40 (ID 1¹/₂")

OSL-Article No. 48132-CE24-0002

Position indicator

- 1 switch for «open» and 1 switch for «close»
- Contact rating $\leq 50 \text{ V AC / DC}; 1.2 \text{ A}$
- 1 x 7 pole plug

Radiation resistance

- Valve $10^8 \text{ Gy (} 10^{10} \text{ rad)}$
- Actuator $10^5 \text{ Gy (} 10^7 \text{ rad)}$
- Position indicator $10^5 \text{ Gy (} 10^7 \text{ rad)}$

Compressed air pressure min. - max.
(overpressure)

4 - 8 bar / 55 - 110 psig

Volume of air cylinder

0.27 l / 0.01 ft³

Compressed air connection

R 1/8" (USA: 1/8" NPT)

Action at power failure

depending on control

Action at compressed air failure

- Valve closed no change
- Valve open undefined

Closing time

1 s

Opening time

1 s

Weight

7,2 kg / 16 lbs

Dimensions

Dimensional drawing No. 82499

Option

N/A

Created by: M. Greuter	Release date: 30. August 2011	Page 2 of 3
Modified by::	Release date:	291183EA



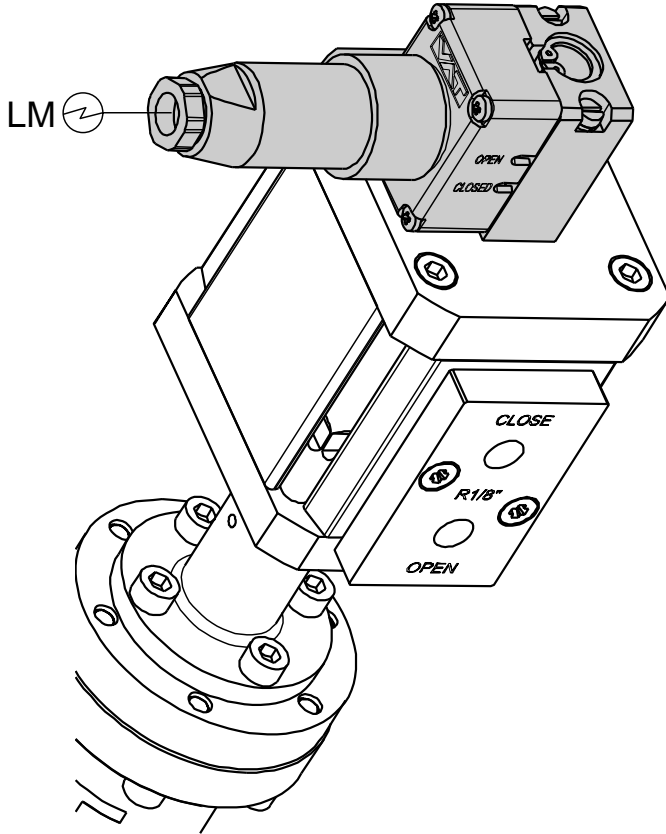
VAT Vakuumventile AG
CH-9469 Haag, Schweiz

Product data sheet

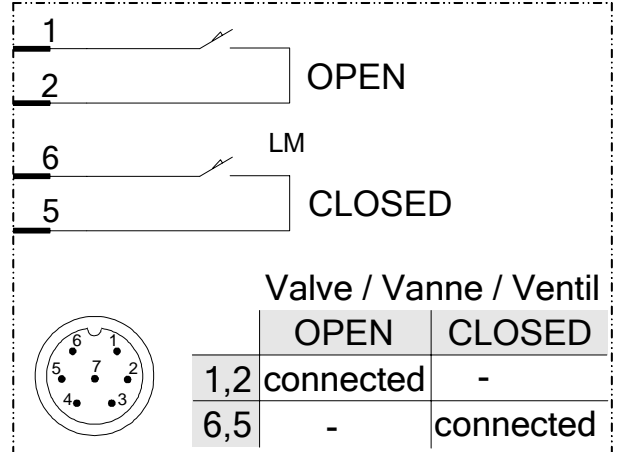
All-Metal Gate Valve, Series 48.1, DN 40 (ID 1 1/2")

OSL-Article No. 48132-CE24-0002

Wiring diagram



⊕ LM Electrical connection for position indicator



Created by: M. Greuter

Release date: 30. August 2011

Page 3 of 3

Modified by::

Release date:

291183EA