



VAT Vakuumventile AG
CH-9469 Haag, Schweiz

Product Data Sheet

All-Metal Angle Valve, Series 57.1, DN 40 (ID 1½")

OSL-Article No. 57132-GE21-0005

Description

Flange	CF-R, DN40
Actuator	pneumatic actuator single acting, closing spring with position indicator, without solenoid valve
Feedthrough	bellows

Technical data

Leak rate	
- To the outside	$\leq 1 \cdot 10^{-10}$ mbar ls ⁻¹
- Seat	$\leq 1 \cdot 10^{-10}$ mbar ls ⁻¹
Molecular flow conductance	50 ls ⁻¹
Pressure range	UHV to 5 bar (abs)
Test pressure	1 bar
Differential pressure on the gate	
- in closing and opening direction	≤ 5 bar
Max. differential pressure at opening	
- in closing and opening direction	1 bar (>1 bar with reduced cycle life)
Cycles until first service	10'000
Bake-out temperature	
- Valve - open	$\leq 450^{\circ}\text{C}$
- Valve - closed	$\leq 350^{\circ}\text{C}$
- Pneumatic actuator	$\leq 150^{\circ}\text{C}$
- Position indicator	$\leq 80^{\circ}\text{C}$
Heating and cooling rate	$\leq 60^{\circ}\text{C h}^{-1}$
Material	
- Body, Mechanism (in contact with media)	1.4435/1.4404, AISI 316 L; 1.4435, AISI 316 L, ESU
- Bellows	1.4404, AISI 316 L
Seal	
- Bonnet, Plate	metal
- Actuator	Viton [®]
Mounting position	any
Position indicator	
- 1 switch for «open» and 1 switch for «close»	
- Contact rating	≤ 50 V AC / DC; ≤ 1.2 A
- 1 x 7 pole plug	
Radiation resistance	
- Valve	10^8 Gy (10^{10} rad)
- Actuator	10^5 Gy (10^7 rad)
- Position indicator	10^5 Gy (10^7 rad)

Created by: M. Greuter	Release date: 24. February 2012	Page 1 of 2
Modified by::	Release date:	293799EA



VAT Vakuumventile AG
CH-9469 Haag, Schweiz

Product Data Sheet

All-Metal Angle Valve, Series 57.1, DN 40 (ID 1½")

OSL-Article No. 57132-GE21-0005

Compressed air pressure min. - max.	6 - 9 bar / 85 - 130 psig (overpressure)
Volume of air cylinder	0.35 l / 0.01 ft ³
Compressed air connection	R ½" (USA ½ NPT)
Action at power failure	depending on control
Action at compressed air failure	no change
- Valve closed	valve closes
- Valve open	
Opening / Closing time	2 s
Weight	8.8 kg / 19.4 lbs

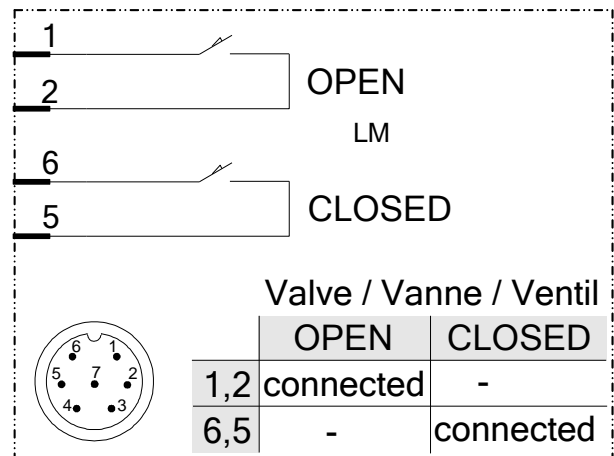
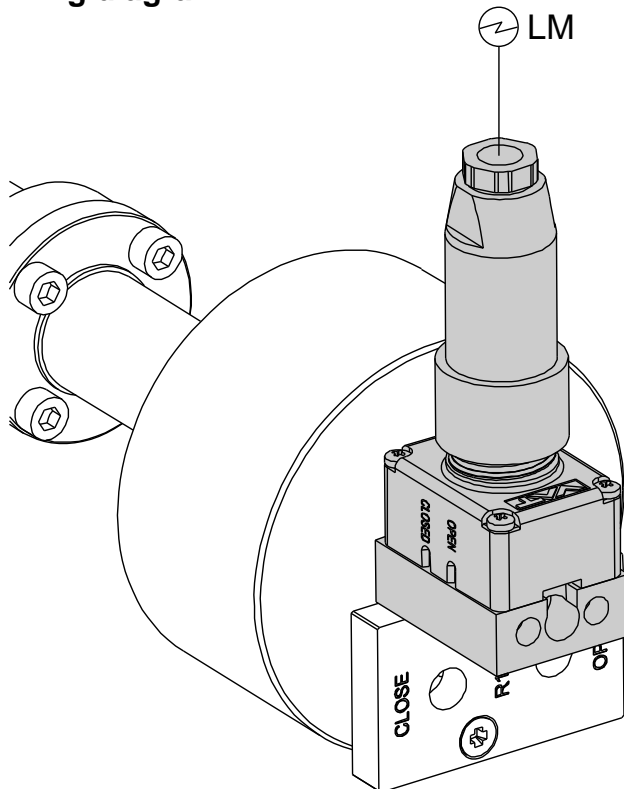
Dimensions

Dimensional drawing No. 373914

Option

N/A

Wiring diagram



⊕ LM Electrical connection for position indicator

Created by: M. Greuter	Release date: 24. February 2012	Page 2 of 2
Modified by::	Release date:	293799EA