



VAT Vakuumventile AG  
CH-9469 Haag, Schweiz

## Product data sheet

**HV gate valve, Series 110, DN 160 (ID 6")**  
**Ordering No. 11044-PE44**

### Description

Flange	ISO-F 160
Actuator	Pneumatic, double acting – with solenoid valve – with position indicator
Feedthrough	Bellows

### Technical data

Leak rate	– Valve body – Valve seat	$< 1 \cdot 10^{-9}$ mbar ls <sup>-1</sup> $< 1 \cdot 10^{-9}$ mbar ls <sup>-1</sup>
Pressure range		$1 \cdot 10^{-8}$ mbar to 1.6 bar (abs)
Differential pressure on the gate		$\leq 1.6$ bar
Differential pressure at opening		$\leq 30$ mbar
Conductance (molecular flow)		5880 ls <sup>-1</sup>
Cycles until first service		200 000 (unheated and under clean conditions)
Temperature (Maximum values: depending on operating conditions and sealing materials)	– Valve body – Actuator – Solenoid valve – Position indicator	$\leq 150$ °C $\leq 80$ °C $\leq 50$ °C $\leq 50$ °C
Heating and cooling rate		50 °C h <sup>-1</sup>
Material (main components)	– Valve body – Mechanism – Bellows	AISI 304 (1.4301) AISI 316L (1.4404) AISI 633 (AM350)
Seal	– Bonnet – Gate – Actuator	FKM (Viton®) FKM (Viton®), vulcanized FKM (Viton®), NBR
Mounting position		any
Volume of pneumatic actuator		0.15 l / 0.0053 ft <sup>3</sup>
Compressed air min. – max. overpressure		4 – 7 bar / 58 – 102 psi
Compressed air connection		G $\frac{1}{2}$ " (½" NPT for USA)
Actuation time	– Closing – Opening	2.5 s 2.5 s

Created by: MAEM	Release date: 2013-03-27	1 of 2
Modified by:	Release date:	<b>295025EA</b>



VAT Vakuumventile AG  
CH-9469 Haag, Schweiz

## Product data sheet

**HV gate valve, Series 110, DN 160 (ID 6'')**  
**Ordering No. 11044-PE44**

Behavior in case of compressed air pressure drop – Valve closed  
– Valve open

valve remains closed  
undefined

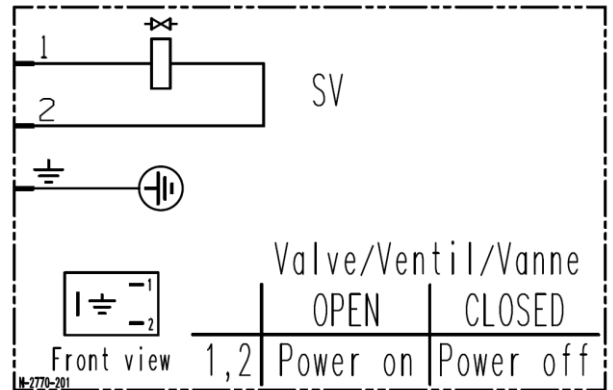
Behavior in case of power failure – Valve closed  
– Valve open

valve remains closed  
valve closes

## Electrical connections

### Solenoid valve

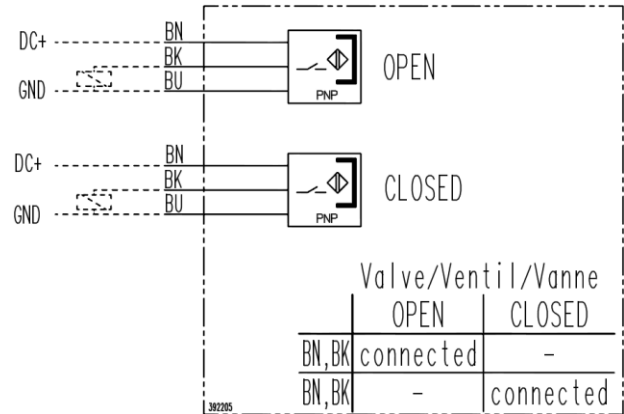
Type 4/2 way  
Voltage Defined by order



Wiring diagram

### Position indicator

Type PNP NO with LED  
Voltage 10 – 30 V DC  
Current max. 200 mA  
Power max. 10 W  
Cable length 1800 mm / 70.9 inch



Wiring diagram