



VAT Vakuumventile AG
CH-9469 Haag, Schweiz

Product data sheet

Vacuum angle valve, Series 244, DN 63 (ID 2 1/2")
Ordering No. 24436-QE31-0003

Description

Flange	ISO-K 63
Actuator	Pneumatic, single acting with closing spring – with solenoid valve – without position indicator
Feedthrough	Shaft feedthrough

Technical data

Leak rate	– Valve body – Valve seat	$< 1 \cdot 10^{-9}$ mbar ls ⁻¹ $< 1 \cdot 10^{-9}$ mbar ls ⁻¹
Pressure range		$1 \cdot 10^{-7}$ mbar to 5 bar (abs)
Differential pressure on the plate	– In opening direction – In closing direction	≤ 2 bar ≤ 4 bar
Differential pressure at opening		≤ 1 bar
Conductance (molecular flow)		160 ls ⁻¹
Closing time		≤ 0.7 sec.
Cycles until first service (T _{max} 80°C, under clean conditions)		3 million
Temperature (Maximum values: depending on operating conditions and sealing materials)	– Valve body – Actuator – Solenoid valve	≤ 150 °C ≤ 120 °C ≤ 80 °C
Material	– Valve body – Actuator – Plate – Shaft feedthrough	AISI 316L (1.4404) Aluminum AISI 316L (1.4435 ESU) AISI 304 (1.4301)
Seal	– Bonnet O-ring – Plate O-ring – Actuator O-ring	FKM (Viton®) FKM (Viton®) FKM (Viton®)
Weight		1.7 kg / 3.75 lbs
Mounting position		any
Volume of pneumatic actuator		0.112 l / 0.0040 ft ³
Compressed air min. – max. overpressure		4 – 8 bar / 60 – 115 psi
Compressed air connection		female G1/8"

Created by: R. Walser	Release date: 2013-09-11	1 of 2
Modified by:	Release date:	603477EA



VAT Vakuumventile AG
CH-9469 Haag, Schweiz

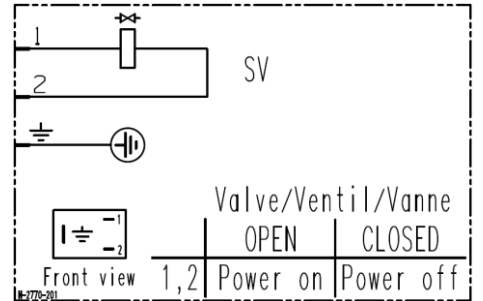
Product data sheet

Vacuum angle valve, Series 244, DN 63 (ID 2 1/2")
Ordering No. 24436-QE31-0003

Electrical connections

Solenoid valve

Type	3/2-way
Voltage	See solenoid
Power	See solenoid
Connector	Rectangle plug, Type B (DIN standard)
Cable	Ø6 – 8 mm



Wiring diagram

Created by: R. Walser	Release date: 2013-09-11	2 of 2
Modified by:	Release date:	603477EA