



VAT Vakuumventile AG
CH-9469 Haag, Schweiz

Product data sheet

HV gate valve, Series 110, DN 63 (ID 2½'')
Ordering No. 11036-JE44

Description

Flange	JIS 63
Actuator	Pneumatic, double acting – with solenoid valve – with position indicator
Feedthrough	Bellows

Technical data

Leak rate	– Valve body – Valve seat	$< 1 \cdot 10^{-9}$ mbar ls ⁻¹ $< 1 \cdot 10^{-9}$ mbar ls ⁻¹
Pressure range		$1 \cdot 10^{-8}$ mbar to 1.6 bar (abs)
Differential pressure on the gate		≤ 1.6 bar
Differential pressure at opening		≤ 30 mbar
Conductance (molecular flow)		600 ls ⁻¹
Cycles until first service		200 000 (unheated and under clean conditions)
Temperature (Maximum values: depending on operating conditions and sealing materials)	– Valve body – Actuator – Solenoid valve – Position indicator	≤ 150 °C ≤ 80 °C ≤ 50 °C ≤ 50 °C
Heating and cooling rate		50 °C h ⁻¹
Material (main components)	– Valve body – Mechanism – Bellows	AISI 304 (1.4301) AISI 316L (1.4404) AISI 633 (AM350)
Seal	– Bonnet – Gate – Actuator	FKM (Viton®) FKM (Viton®), vulcanized FKM (Viton®), NBR
Mounting position		any
Volume of pneumatic actuator		0.096 l / 0.0034 ft ³
Compressed air min. – max. overpressure		4 – 7 bar / 58 – 102 psi
Compressed air connection		G½" (½" NPT for USA)
Actuation time	– Closing – Opening	1.0 s 1.0 s
Weight		7 kg / 15.4 lbs

Created by: JOM	Release date: 2013-08-09	1 of 2
Modified by:	Release date:	603633EA



VAT Vakuumentile AG
CH-9469 Haag, Schweiz

Product data sheet

HV gate valve, Series 110, DN 63 (ID 2½'')
Ordering No. 11036-JE44

Behavior in case of compressed air pressure drop – Valve closed
– Valve open

valve remains closed
undefined

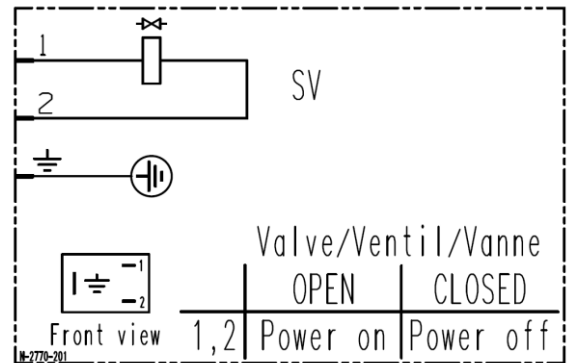
Behavior in case of power failure – Valve closed
– Valve open

valve remains closed
valve closes

Electrical connections

Solenoid valve

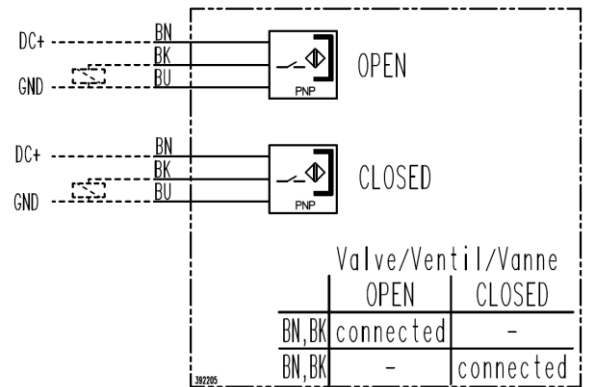
Type 4/2 way
Voltage Defined by order



Wiring diagram

Position indicator

Type PNP NO with LED
Voltage 10 – 30 V DC
Current max. 200 mA
Power max. 10 W
Cable length 1800 mm / 70.9 inch



Wiring diagram