

# RECTANGULAR VALVE

## Dual Housing



**Kurt J. Lesker**<sup>®</sup>  
Company

**VACUUM MART**<sup>™</sup>  
DIVISION

### Applications

---

- Plasma Etch, CVD, Sputter Deposition
- Manufacturing of solar panels
- Semiconductor processing
- LCD/flat panel processes
- All other cluster vacuum systems

### Features

---

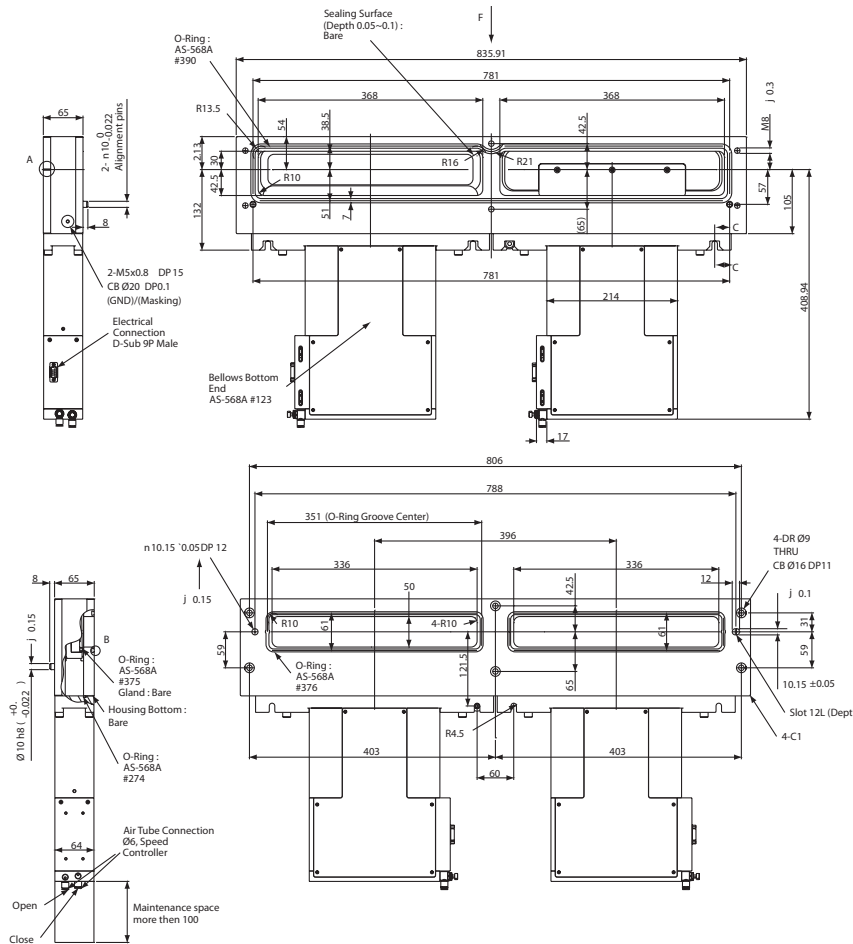
- Semi standard application (Semi E21-94, Semi E24-92, Semi E21.1-1296)
- Patented L-motion link and dual shifts without springs in the actuator enable faster, smoother actuation with significantly reduced vibration
- Dust seal on the vacuum side of the bonnet flange that virtually eliminates particulate from entering the bellows
- Mechanical locking so at the end of gate travel the valve locks into position
- Welded bellows actuator seal
- Bonnet flange bolts are designed with retainers to eliminate bolts from falling out upon disassembly
- Double rectangular housing to allow product to enter one side and exit the other

### Options

---

- Custom sizes available
- Various o-ring compounds (Kalrez<sup>®</sup>, Chemraz<sup>®</sup>, etc.)

[www.lesker.com](http://www.lesker.com)



Dimensions Approximate

## Specifications

<b>Pressure range</b>		1 X 10 <sup>-9</sup> mbar-ATM
<b>Leak rate: body, seat</b>		<1 X 10 <sup>-9</sup> mbar. l/s
<b>Differential pressure on the gate</b>		≤ 1.2 bar in either direction
<b>Material</b>	<b>Valve body, bonnet seal, gate</b>	AL6061
	<b>Welded bellows</b>	AM350
	<b>Valve actuator</b>	SS 304, AL6061
<b>Seal Materials</b>		VITON® (option KALREZ, ETC)
<b>Temperature</b>	<b>Valve body</b>	150°C
	<b>Valve actuator</b>	80°C
<b>Operation</b>		Double acting
<b>Cycle until first service</b>		≥ 2 million
<b>Position sensor (Open/Close) - Micro switch</b>		Honeywell: 11SM-244-T, JS-5

Kurt J. Lesker Company (KJLC) specifications and/or test data may not be copied, reproduced or referenced without express written permission of KJLC.

**Kurt J. Lesker**  
Company

[www.lesker.com](http://www.lesker.com)

Kurt J. Lesker Company  
United States  
412.387.9200  
800.245.1656  
salesus@lesker.com

Kurt J. Lesker Canada Inc.  
Canada  
416.588.2610  
800.465.2476  
salescan@lesker.com

Kurt J. Lesker Company Ltd.  
Europe  
+44 (0) 1424 458100  
saleseu@lesker.com

Kurt.Lesker (Shanghai) Trading Company  
科特·莱思科(上海)商贸有限公司  
Asia  
+86 21 50115900  
saleschina@lesker.com

