

RECTANGULAR VALVE

With Housing Cover



Kurt J. Lesker[®]
Company

VACUUM MART[™]
DIVISION

Applications

- Plasma Etch, CVD, Sputter Deposition
- Manufacturing of solar panels
- Semiconductor processing
- LCD/flat panel processes
- All other cluster vacuum systems

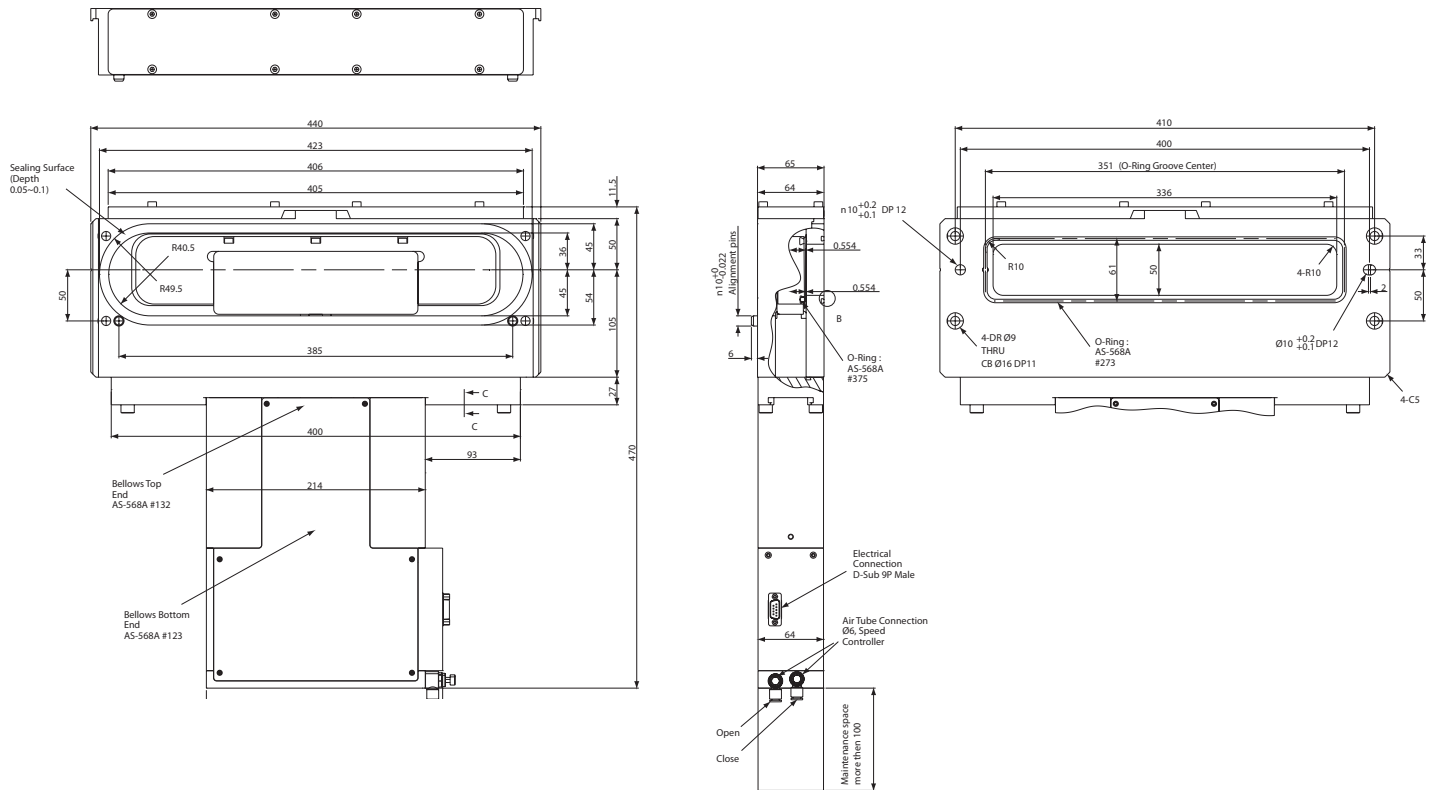
Features

- Removable valve housing cover
- Semi standard application (Semi E21-94, Semi E24-92, Semi E21.1-1296)
- Patented L-motion link and dual shifts without springs in the actuator enable faster, smoother actuation with significantly reduced vibration
- Dust seal on the vacuum side of the bonnet flange that virtually eliminates particulate from entering the bellows
- Mechanical locking so at the end of gate travel the valve locks into position
- Welded bellows actuator seal
- Bonnet flange bolts are designed with retainers to eliminate bolts from falling out upon disassembly

Options

- Custom sizes available
- Various o-ring compounds (Kalrez[®], Chemraz[®], etc.)

www.lesker.com



Dimensions Approximate

Specifications

Pressure range		1 X 10 ⁻⁹ mbar - ATM
Leak rate: body, seat		<1 X 10 ⁻⁹ mbar. l/s
Differential pressure on the gate		≤ 1.2 bar in either direction
Material	Valve body, bonnet seal, gate	AL6061
	Welded bellows	AM350
	Valve actuator	SS 304, AL6061
Seal Materials		VITON® (option KALREZ, ETC)
Temperature	Valve body	150°C
	Valve actuator	80°C
Operation		Double acting
Cycle until first service		≥ 2 million
Position sensor (Open/Close) - Micro switch		Honeywell: 11SM-244-T, JS-5

Kurt J. Lesker Company (KJLC) specifications and/or test data may not be copied, reproduced or referenced without express written permission of KJLC.

Kurt J. Lesker Company Enabling Technology for a Better World | www.lesker.com

Kurt J. Lesker Company
United States - salesus@lesker.com
+1 412 387 9200
+1 800 245 1656

Kurt J. Lesker Canada Inc.
Canada - salescan@lesker.com
+1 416 588 2610
+1 800 465 2476

Kurt J. Lesker Company Ltd.
EMEIA - EMEIASales@lesker.com
+44 (0) 1424 458100

Kurt.Lesker (Shanghai) Trading Company
科特·莱思科(上海)商贸有限公司
Asia - salesasia@lesker.com
+86 21 50115900