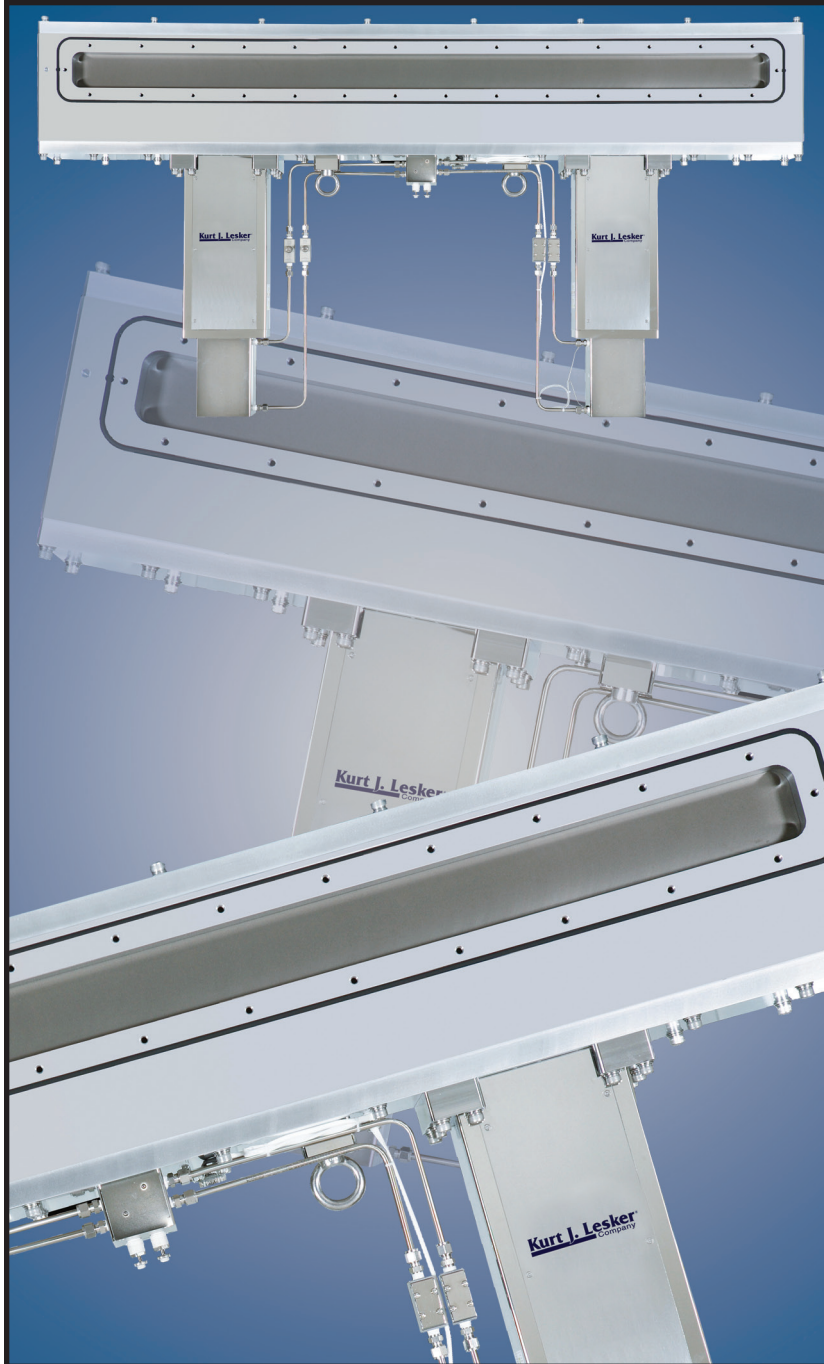


RECTANGULAR GATE VALVE

PV / FPD Production



Kurt J. Lesker
Company

VACUUM MART
DIVISION

Applications

- Manufacturing of solar panels
- LCD/flat panel processes
- Large substrate coating

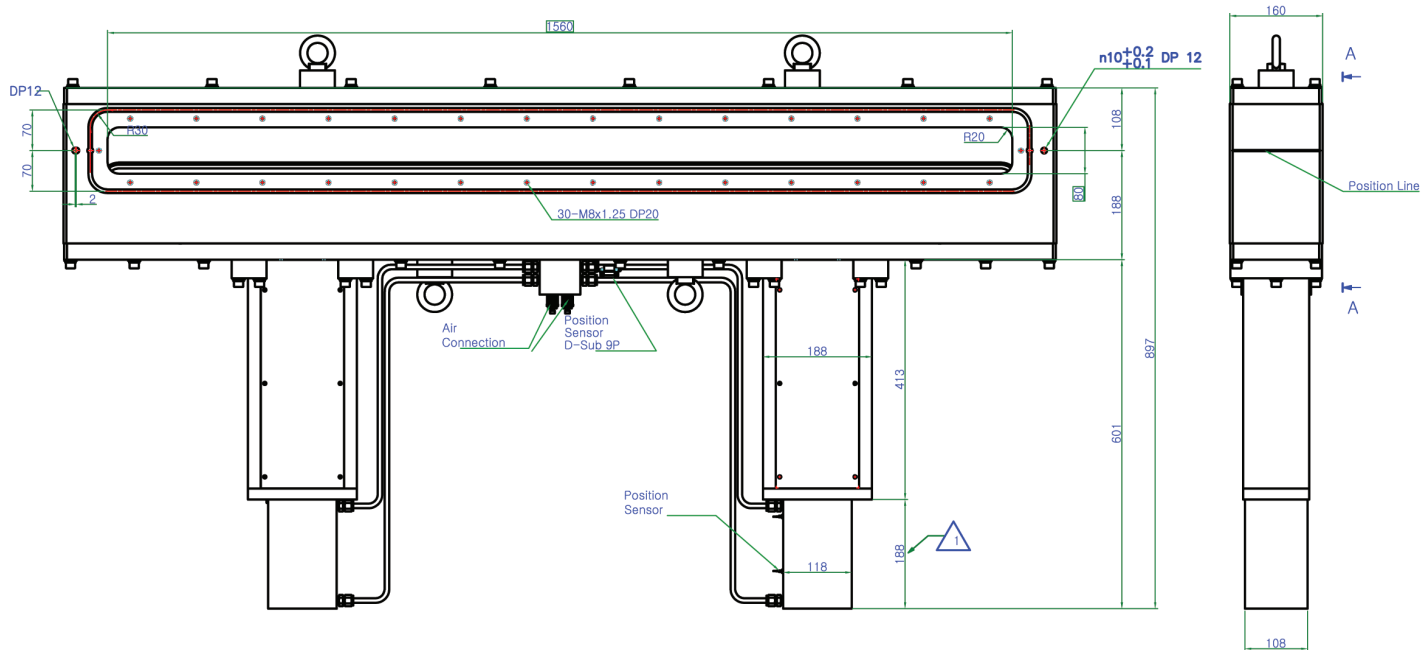
Features

- Patented L-motion link and dual shifts without springs in the actuator enable faster, smoother actuation with significantly reduced vibration
- Dust seal on the vacuum side of the bonnet flange that virtually eliminates particulate from entering the bellows
- Mechanical locking—valve locks into closed position
- Welded bellows actuator seal
- Bonnet flange bolts are designed with retainers to eliminate bolts from falling out upon disassembly

Options

- Custom sizes available
- Various o-ring compounds (Kalrez®, Chemraz®, etc.)
- Water-cooling available
- Aluminum anodization

www.lesker.com



Dimensions Approximate

Specifications

Pressure range		<5 X 10 ⁻⁷ Torr - ATM
Leak rate: body, seat		<8 X 10 ⁻⁸ Torr l/s
Differential pressure on the gate		≤ 1.2 bar in either direction
Differential pressure at opening		≤ 50 Torr in either direction
Temperature	Valve body	80°C
	Valve actuator	80°C
Operation		Double acting
Closing Time		<3 sec
Material	Valve body, bonnet, blade	AL5083
	Welded bellows	AM350
	Valve actuator	AL6061
Seal Materials		VITON®
Cycle until first service		300,000 Cycle
Weight		200 kg
Position sensor		D-A93, 2ea

Kurt J. Lesker Company (KJLC) specifications and/or test data may not be copied, reproduced or referenced without express written permission of KJLC.

Kurt J. Lesker
Company

www.lesker.com

Kurt J. Lesker Company
United States
412.387.9200
800.245.1656
salesus@lesker.com

Kurt J. Lesker Canada Inc.
Canada
416.588.2610
800.465.2476
salescan@lesker.com

Kurt J. Lesker Company Ltd.
Europe
+44 (0) 1424 458100
saleseu@lesker.com

Kurt.Lesker (Shanghai) Trading Company
科特·莱思科(上海)商贸有限公司
Asia
+86 21 50115900
saleschina@lesker.com

