

310 Series Electric Valve - 310 3101205060

Humphrey

www.humphrey-products.com

Humphrey's popular valve series, the 310 and 410 solenoid valves, provide outstanding performance and reliability in a simple, versatile design. The pressure balanced poppet, direct acting operating principle provides multi-purpose functionality in a compact body.

310: 2 or 3 way, normally closed or open.

410: Four-way.

410-70: Four-way with integral flow controls.

Available in several mounting options, as inline, stackable or manifold mount. The new 410M manifold accepts the standard 310 and 410 inline valves for a low cost manifold solution.

Available to be used with air, vacuum, and other gases.

- Compact, high flow construction.

- Quiet operation.

- No AC hum.

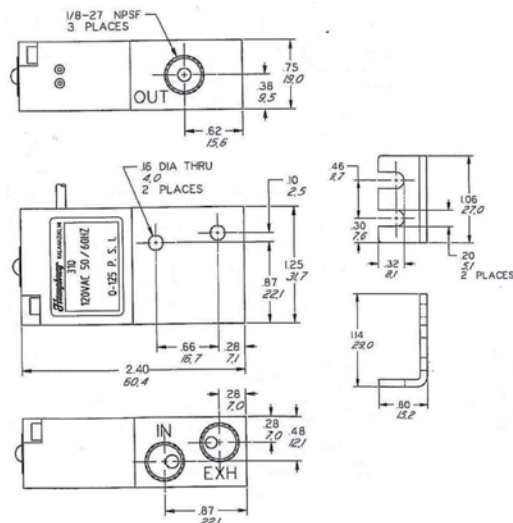
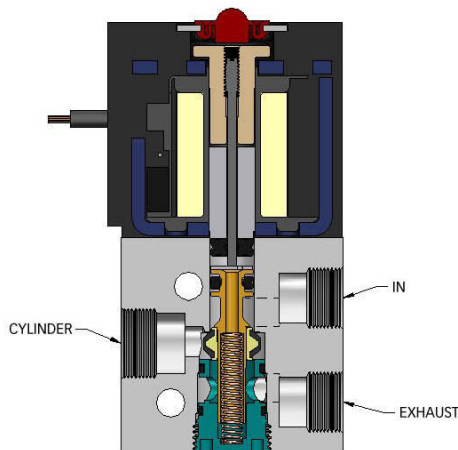
- Short stroke, fast response, poppet design.

- Low leak rate.

- Reliable, tolerant of difficult ambient/media conditions.



CFM @ 100 PSIG	10.0 CFM
Cv	0.15
Body Material	Brass, Aluminum, Stainless Steel, Acetal
Seal Material	Buna-N
Air	Yes
Inert Gas	Yes
Pressure Range	0 - 125 PSIG
Filtration	40 Micron recommended
Lubrication	Not Required, Factory Pre-lubed
Orifice Size	1/8 IN
Port Size	1/8 PIPE
Maximum Cycle Rate (cycles/min)	1875 CPM



HOW TO ORDER HUMPHREY VALVES AND ACCESSORIES

Go to www.humphrey-products.com

- Select "Find A Distributor" and input your information to locate a distributor nearest you.
- Or, call Customer Service at 1-800-477-8707 for the name and phone number of your local distributor.

Humphrey

HUMPHREY PRODUCTS ARE SOLD WORLD-WIDE THROUGH AUTHORIZED DISTRIBUTORS

HOW TO OBTAIN A 3D CAD DRAWING

Go to www.humphrey-products.com

- Using Internet Explorer 6.0 or later for Windows, select "Online Product Guide"
- Follow the steps to choose the valve you need.
- At "Product Overview" section, select "IE CAD VIEW" to download.

Information on this spec sheet is considered to be proprietary to Humphrey. Specifications subject to change without notice. Please read WARNING and GENERAL GUIDELINES before using any Humphrey products.