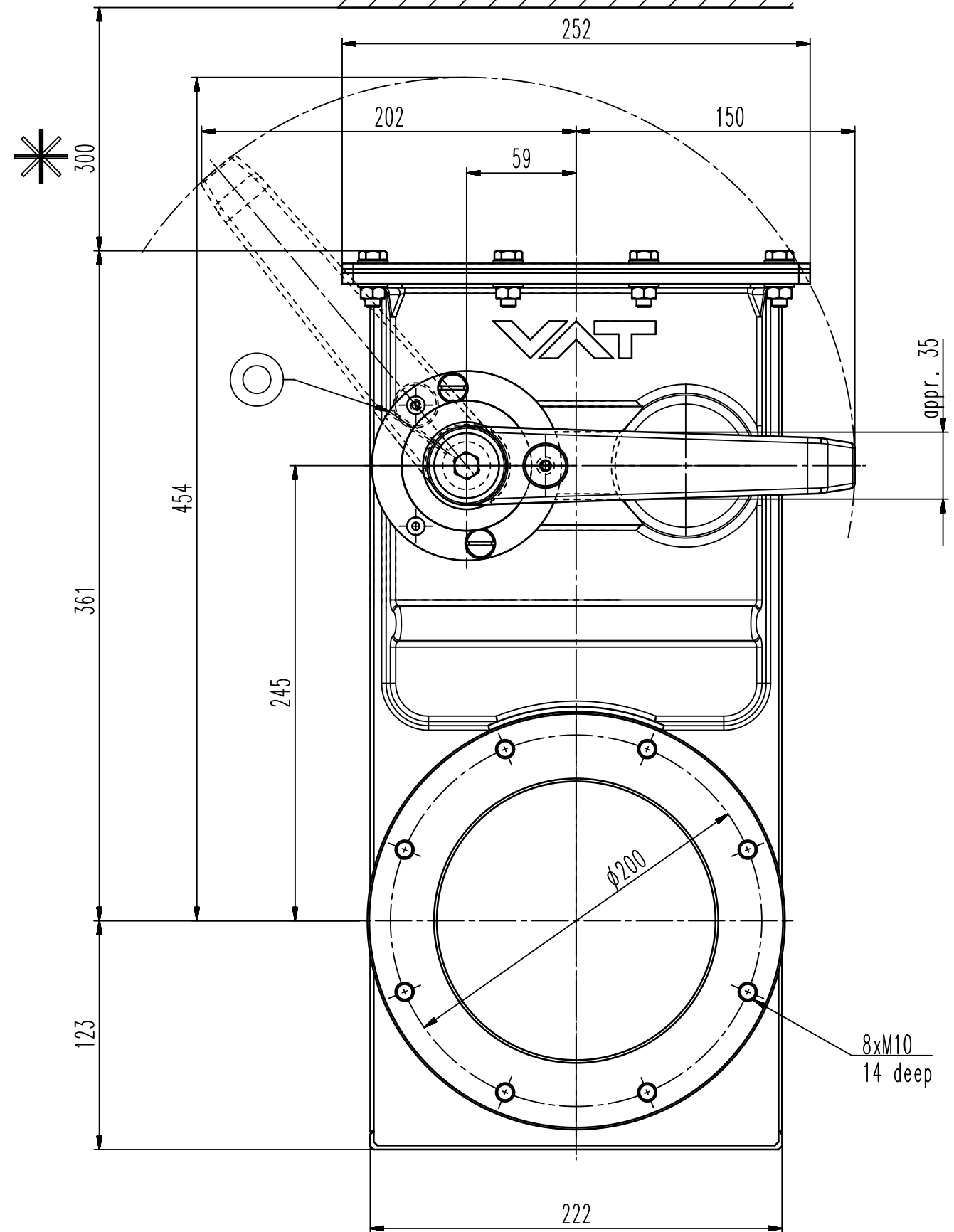


300



- ▼ Seat side
- ⊙ Comp. air connection
- ⊕ Electrical connection
- ⊖ Leak detection port
- ⊗ Mech. pos. indication
- ⊘ Position indicator
- ⊙* Required for dismantling
- ⊙⊕ Emergency actuation
- ⊙⊖ For attachment
- ⊙⊗ Bake-out area
- ⊙⊘ Differential pumping port

HV gate valve



VAT Vakuumentile AG
 CH-9469 Haag, Switzerland
 Tel ++41 81 7716161 Fax ++41 81 7714830

Date: 03.12.98
 Name: WEW

Series	140	Ordering No.	14044-PE06-0006
Projection E	⊙	DN	160
	⊕	Flange	ISO-F
Dimensional Drawing			203458
		Rev.	A