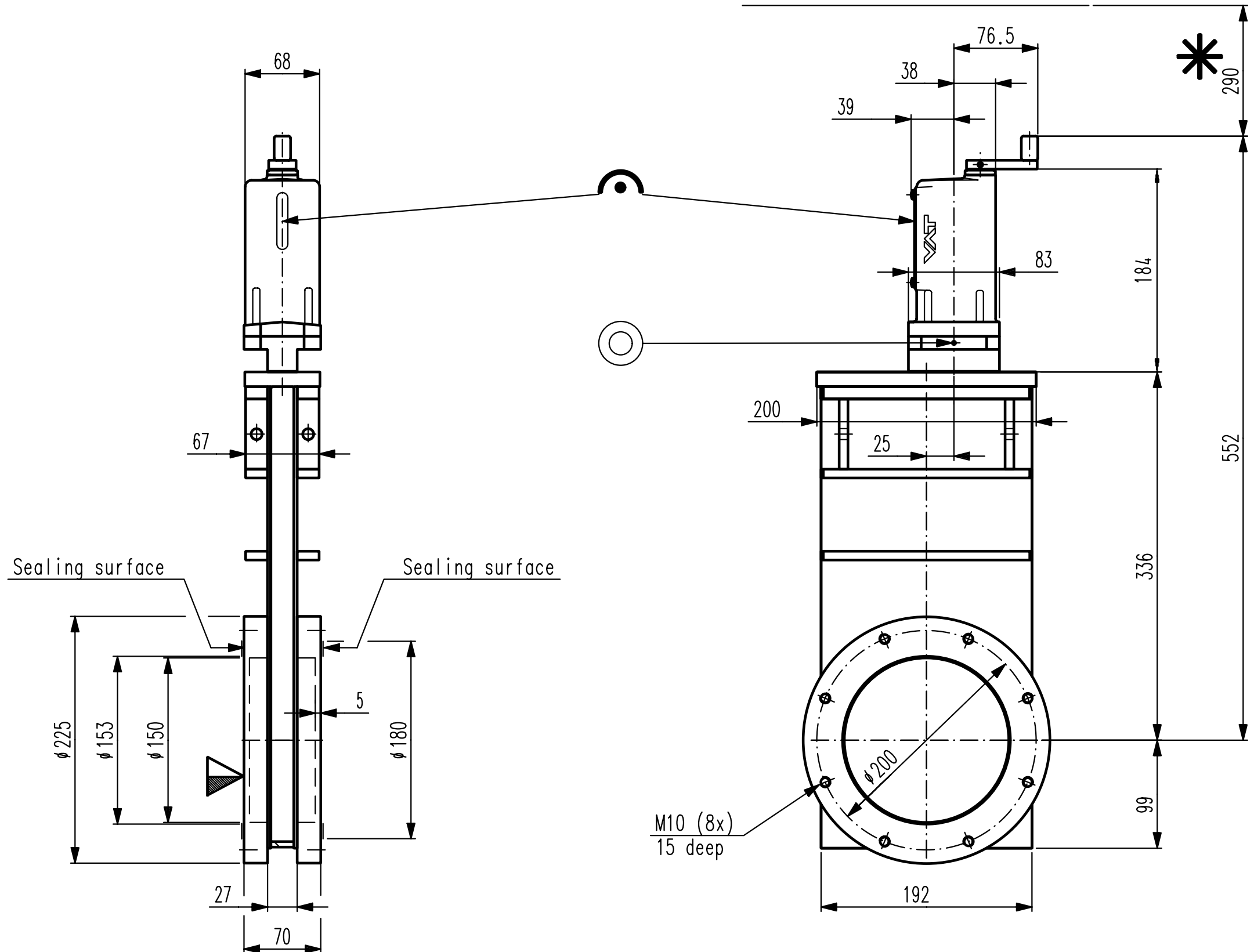


This drawing is the property of VAT.
Without the written consent of VAT, it must
not be copied or distributed to a third person

Revision	
Code	
Date	
Name	



- ▼ Seat side
- Comp. air connection
- ⚡ Electrical connection
- Leak detection port
- ⊞ Mech. pos. indication
- ⊞ Position indicator
- ⊞ Required for dismantling
- ★ Emergency actuation
- For attachment
- Bake-out area
- Differential pumping port

UHV Gate Valve

manual actuator



VAT Vakuumventile AG
CH-9469 Haag, Switzerland
Tel ++41 81 7716161 Fax ++41 81 7714830

Date: 17.05.99
Name: SUP

Series	10	Ordering No.	10844-PE01
Projection E		DN	160
		Flange	ISO-F
Dimensional Drawing		206286	Rev.