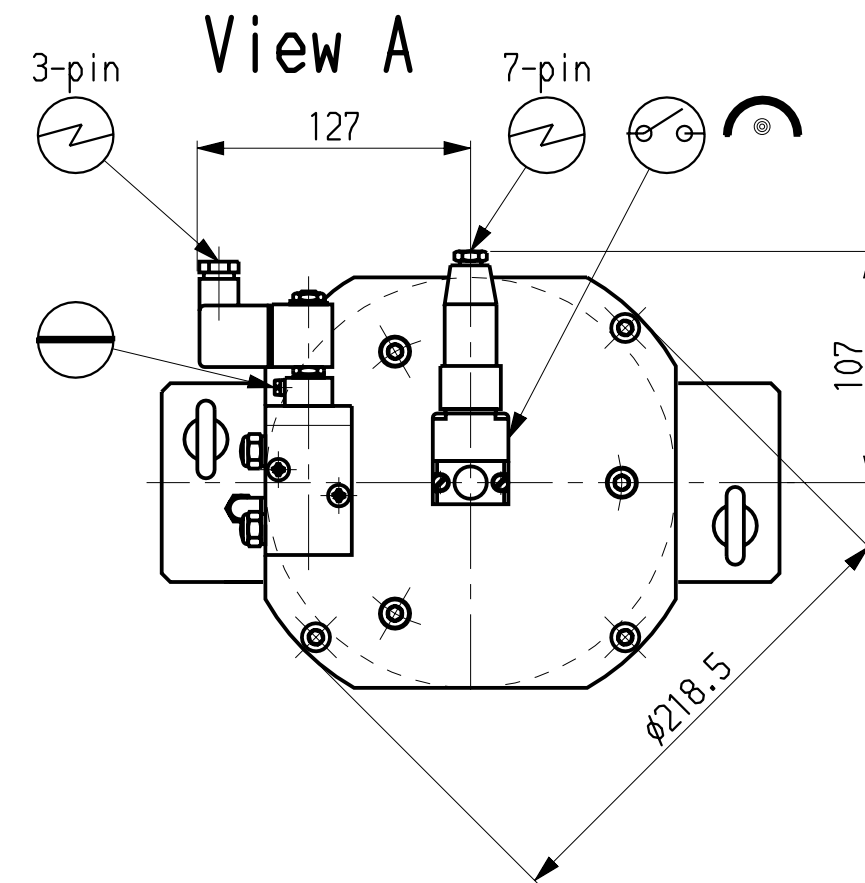
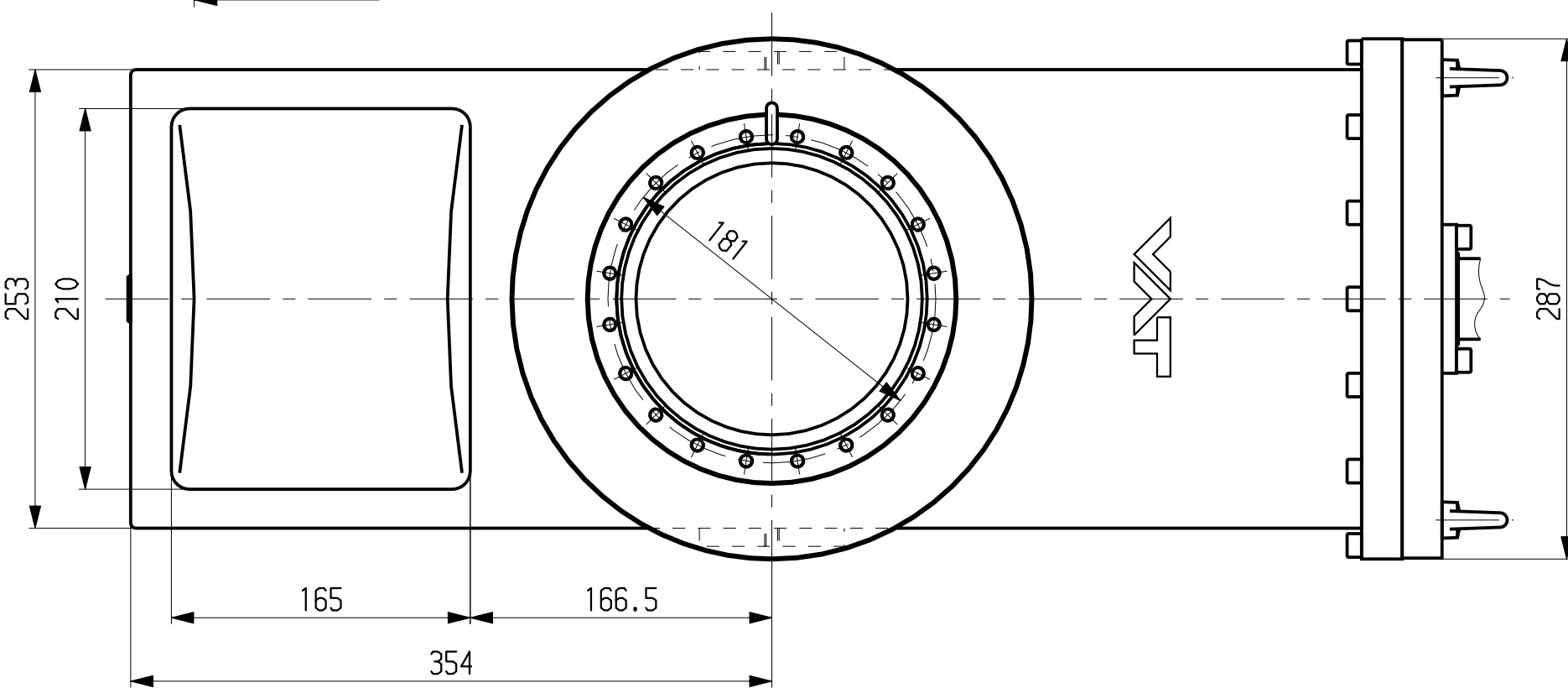
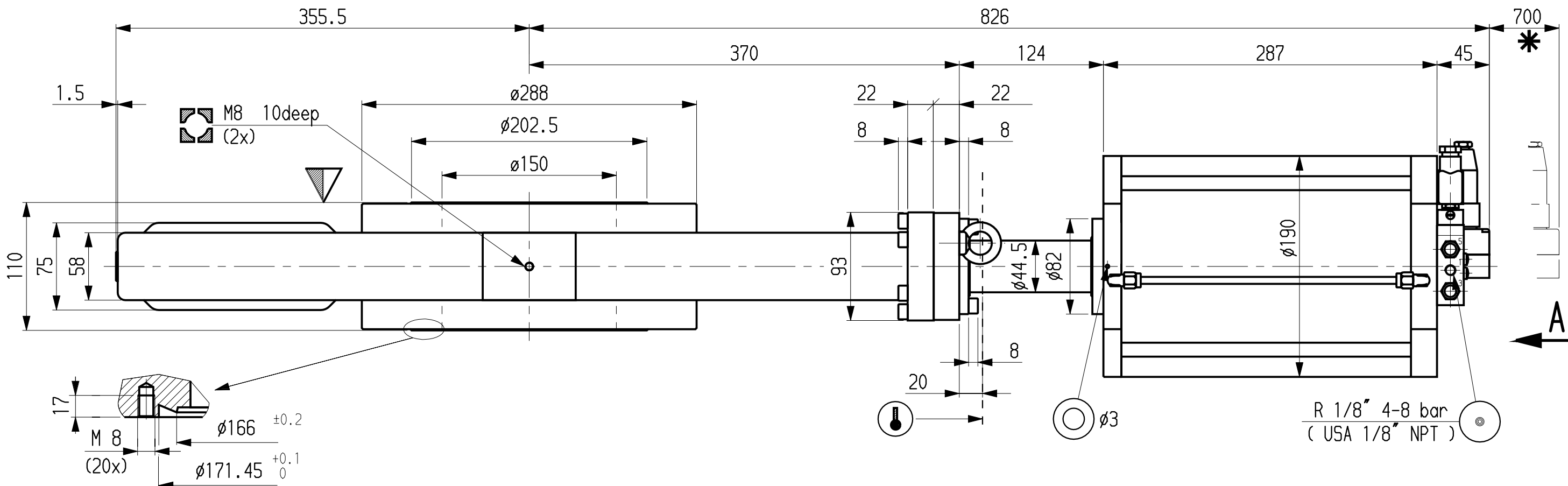
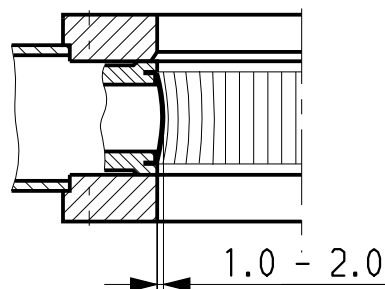


This drawing is the property of VAT.
Without the written consent of VAT, it must
not be copied or distributed to a third person



RF-Passage



- ▼ Seat side
- ⊙ Comp. air connection
- ⊕ Electrical connection
- ⊖ Leak detection port
- ⊗ Mech. pos. indication
- ⊘ Position indicator
- ⊙* Required for dismantling
- ⊙ Emergency actuation
- ⊙ For attachment
- ⊙ Bake-out area

RF-ALL-Metal Gate Valve
pneumatic actuator (double acting)



VAT Vakuumentile AG
CH-9469 Haag, Switzerland
Tel ++41 81 7716161 Fax ++41 81 7714830

Date: 25.10.99
Name: Schlattner

Series 47.2	Ordering No. 47244-CE44	
Projection E 	DN 160	Flange CF-F
Dimensional Drawing	207013	
		Rev.

Revision	A	B	C	D	E
Code					
Date					
Name					