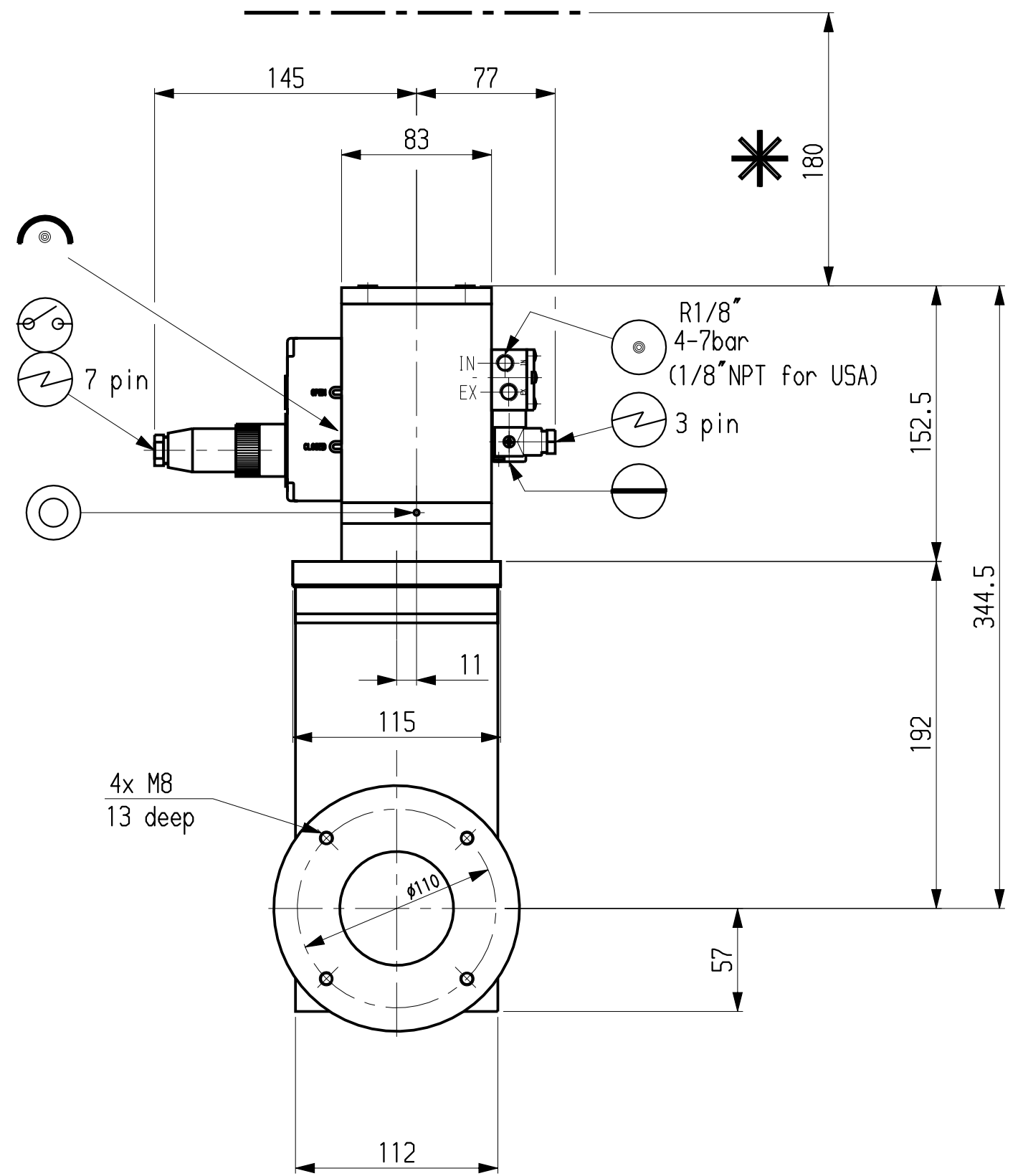
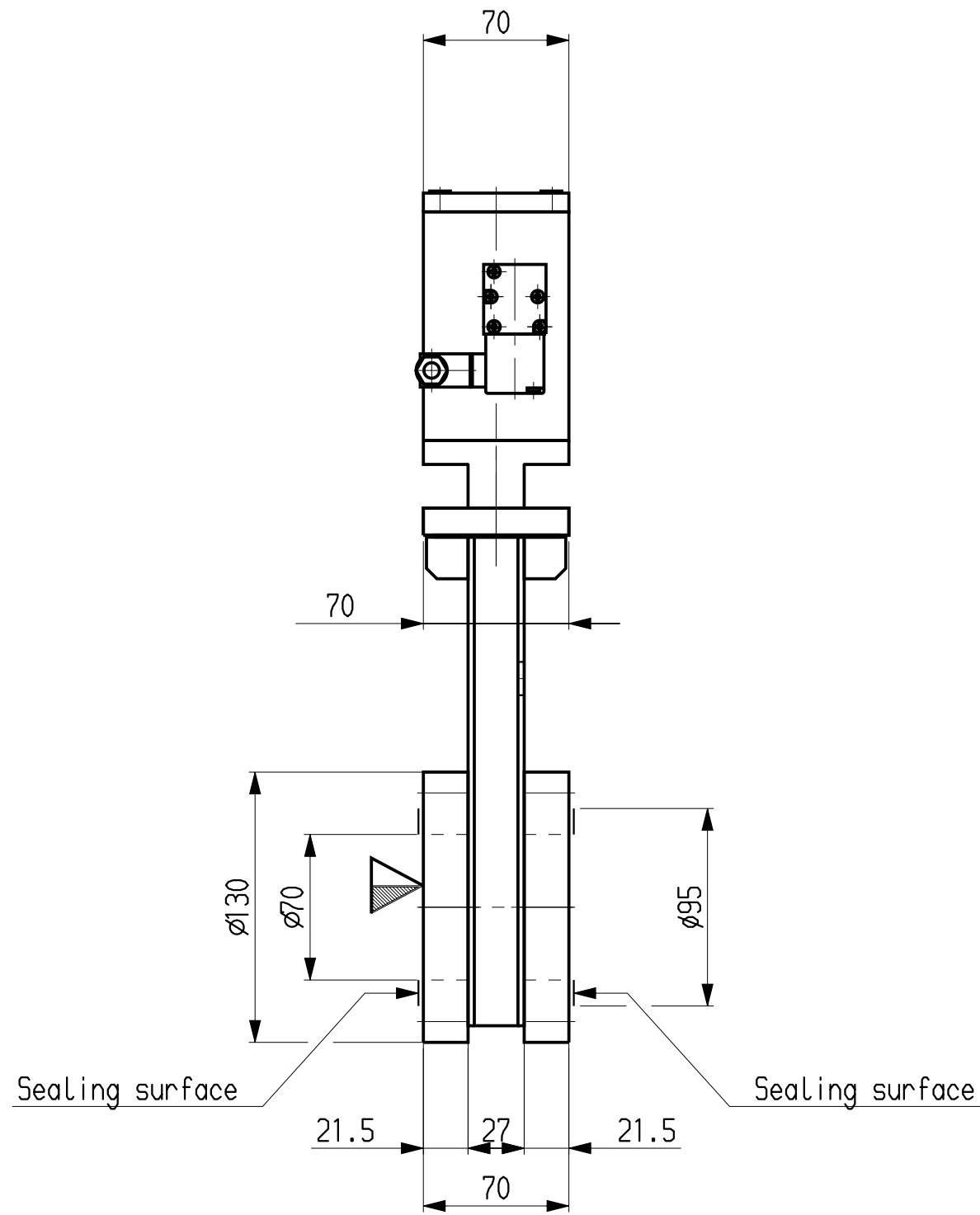


This drawing is the property of VAT.
Without the written consent of VAT, it must
not be copied or distributed to a third person

Revision	A	B	C	D	E
Code					
Date					
Name					



- ▼ Seat side
- ⊙ Comp. air connection
- ⊕ Electrical connection
- ⊖ Leak detection port
- ⊗ Mech. pos. indication
- ⊘ Position indicator
- ★ Required for dismantling
- ⊕ Emergency actuation
- ⊖ For attachment
- ⊙ Bake-out area

UHV Gate Valve

pneumatic actuator



VAT Vakuumentile AG
CH-9469 Haag, Switzerland
Tel ++41 81 7716161 Fax ++41 81 7714830

Date: 08.07.99
Name: SUTER

Series	10	Ordering No.	10836-PE44
Projection E		DN	63
		Flange	ISO-F
Dimensional Drawing	207259	Rev.	