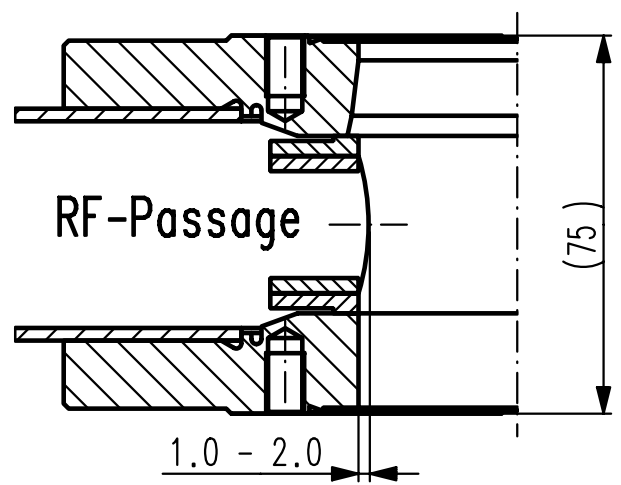
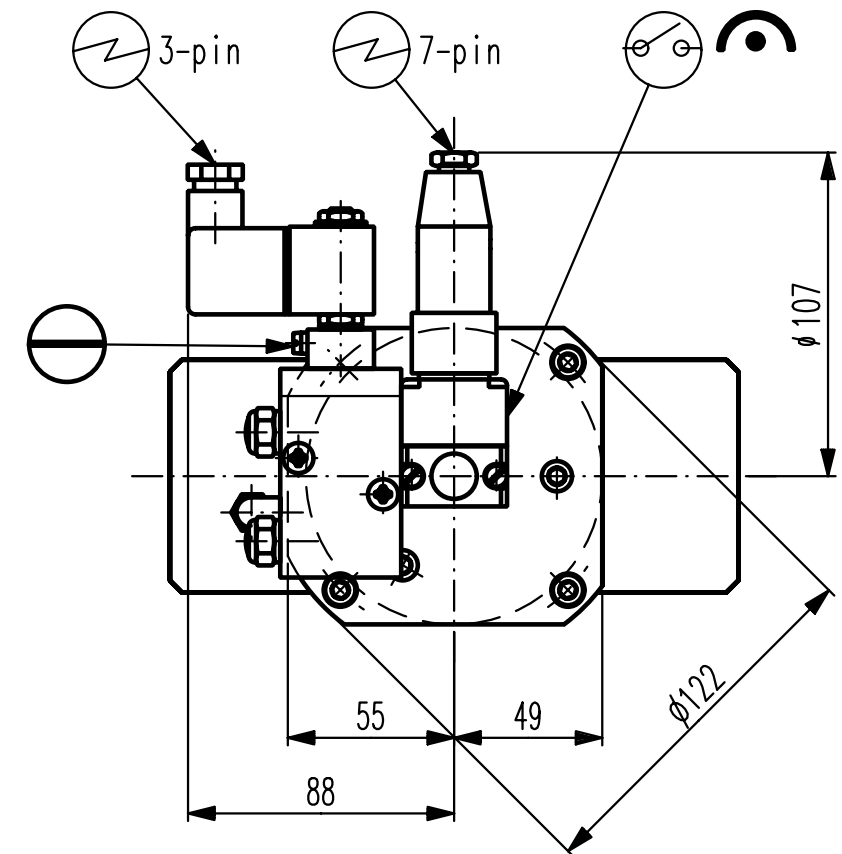
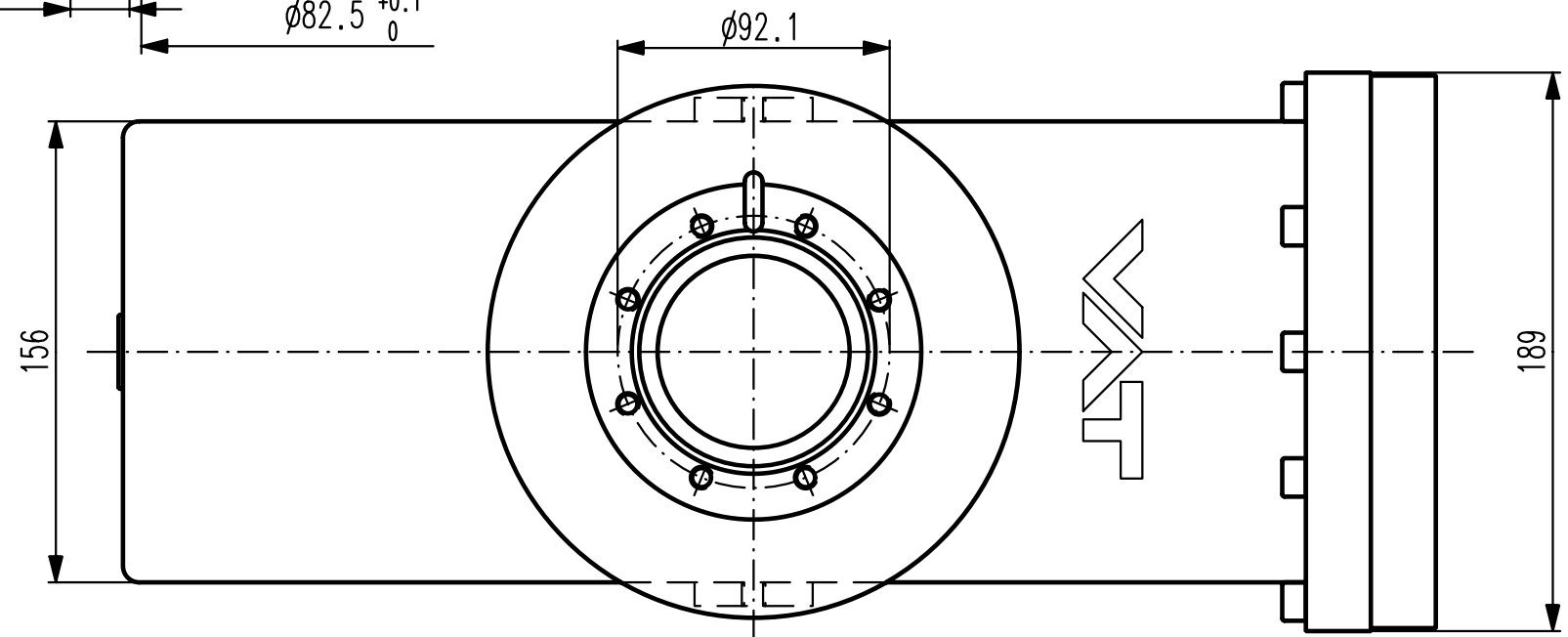
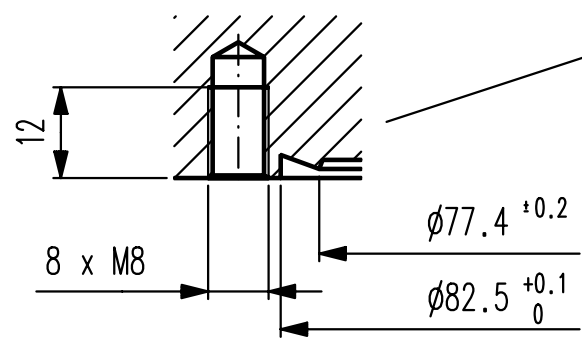
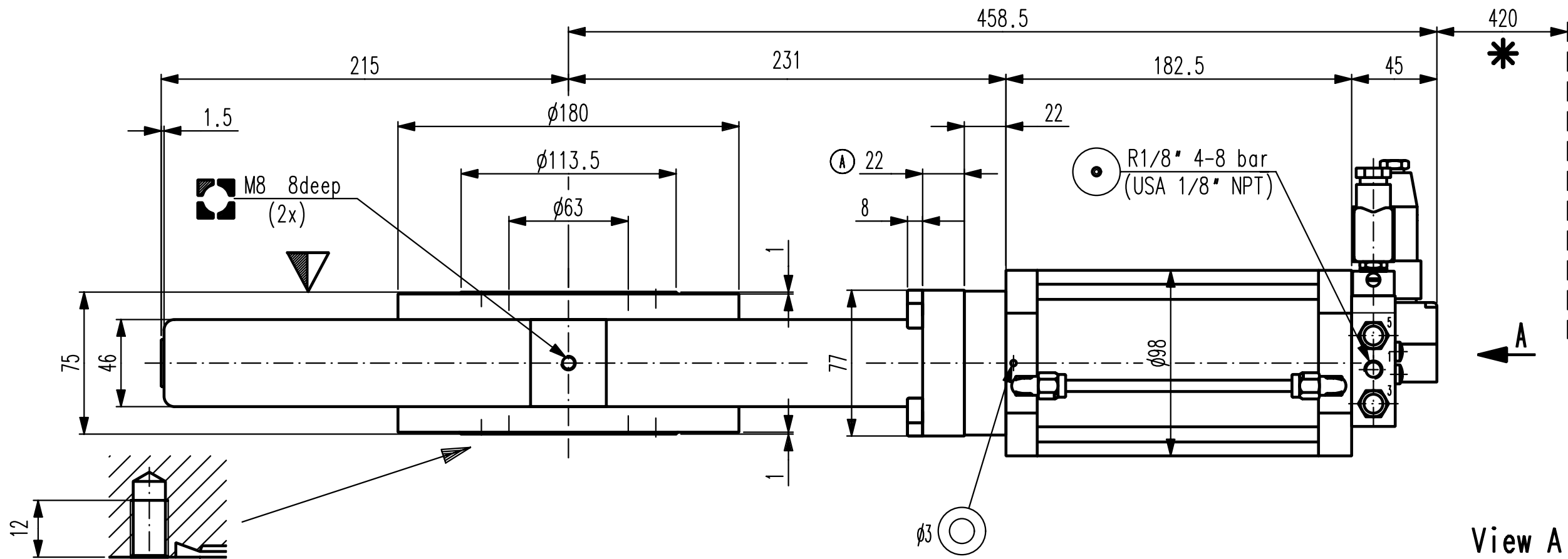


This drawing is the property of VAT.
Without the written consent of VAT, it must
not be copied or distributed to a third person



- ▼ Seat side
- ⊙ Comp. air connection
- ⊕ Electrical connection
- ⊖ Leak detection port
- ⊗ Mech. pos. indication
- ⊘ Position indicator
- ⊙* Required for dismantling
- ⊙ Emergency actuation
- ⊙ For attachment
- ⊙ Bake-out area
- ⊙ Differential pumping port

RF-All-Metal Gate Valve
pneumatic actuator (double acting)



VAT Vakuumventile AG
CH-9469 Haag, Switzerland
Tel ++41 81 7716161 Fax ++41 81 7714830

Date: 25.10.99
Name: Schlattner

Series	47.2	Ordering No.	47236-CE74
Projection E		DN	63
Flange		CF-F	
Dimensional Drawing	208127	Rev.	A

Revision	A
Code	-
Date	03.12.99
Name	MAT