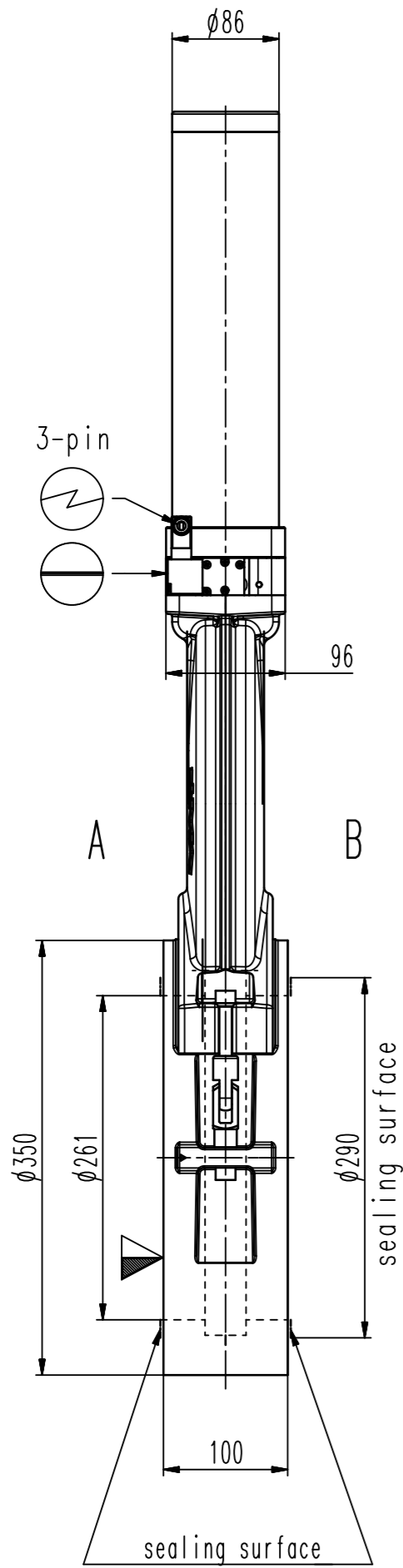


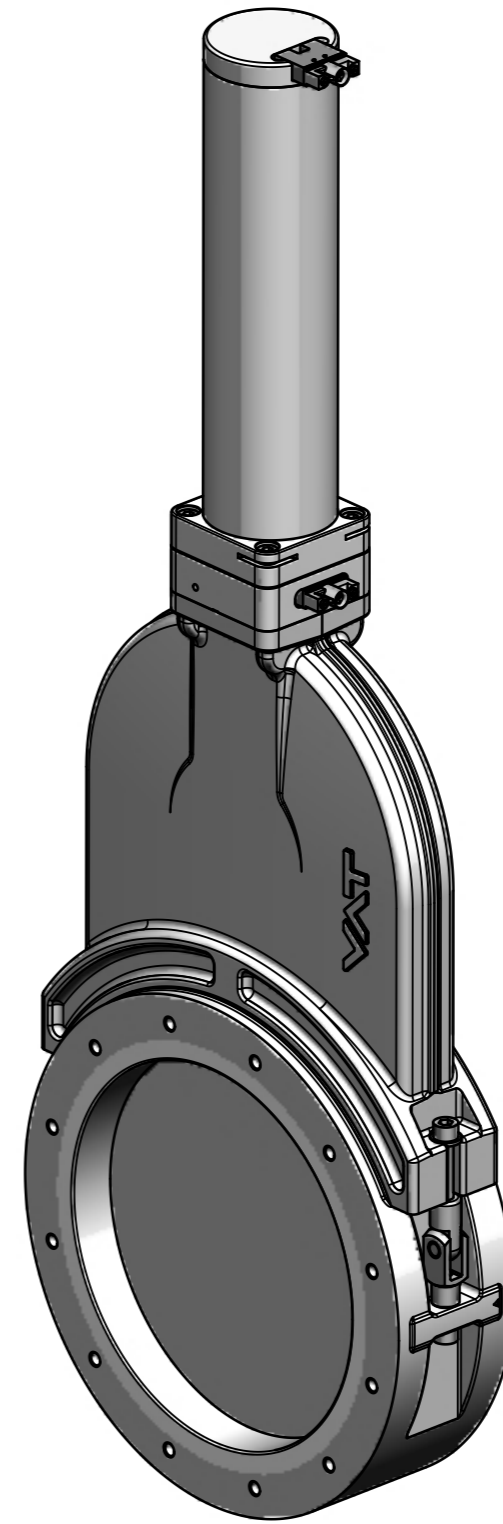
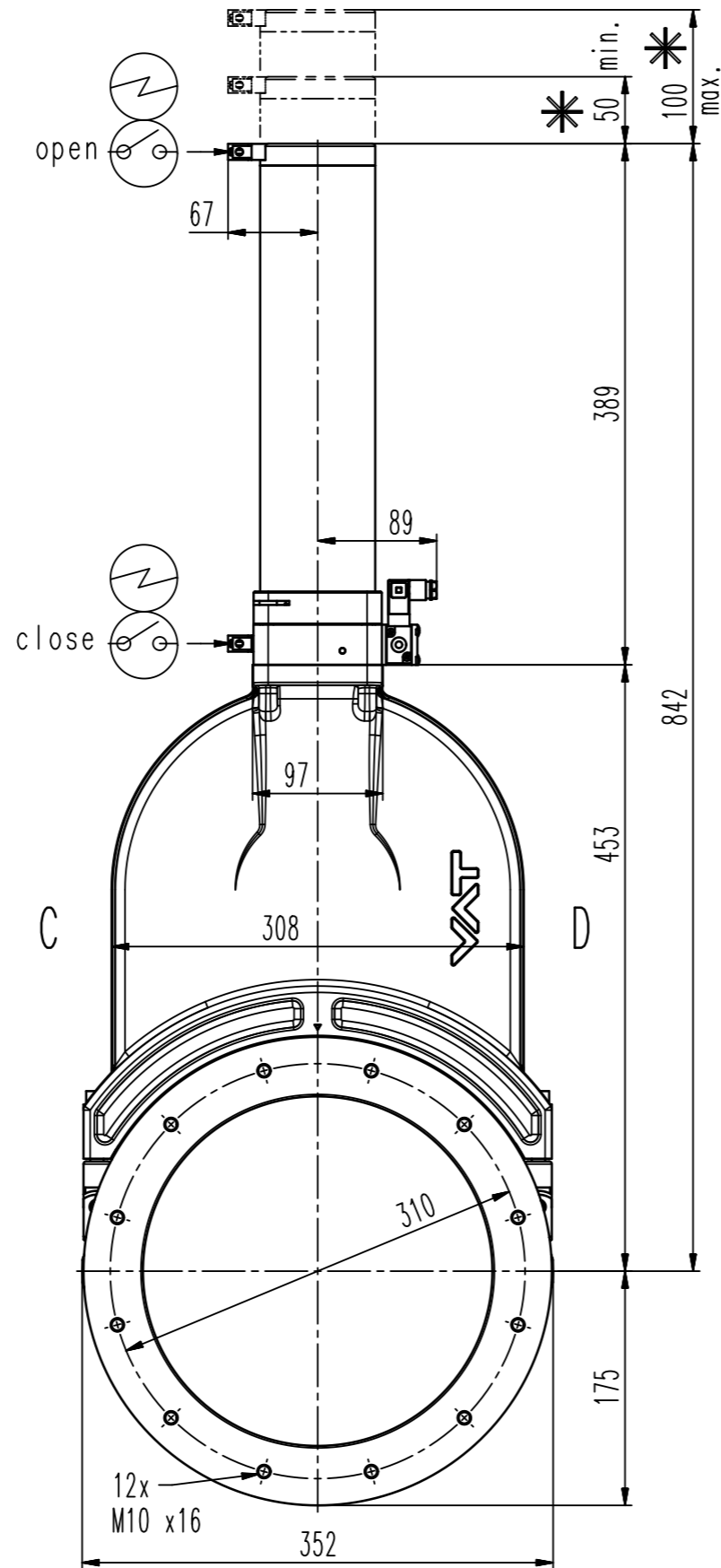
This drawing is the property of VAT.

Revision

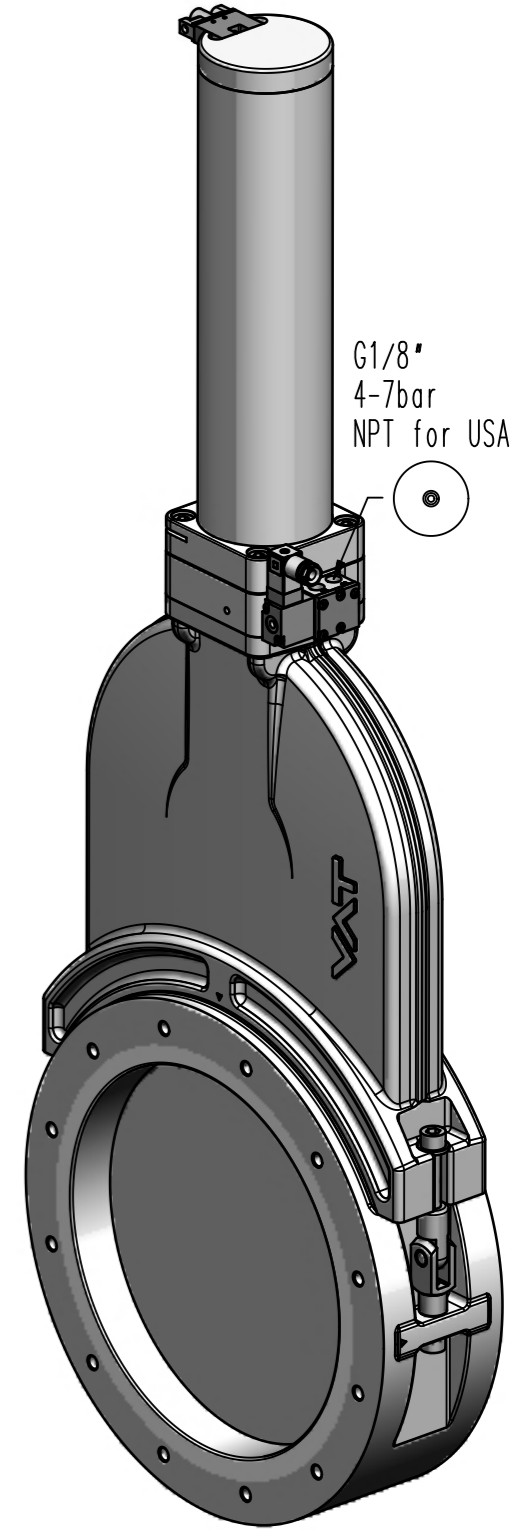
Customer number



D-side



B-side



A-(seat)side

G1/8"
4-7bar
NPT for USA

- ▼ Seat side
- ⊕ Comp. air connection
- ⊕ Electrical connection
- ⊕ Leak detection port
- ⊕ Mech. pos. indication
- ⊕ Position indicator
- ⊕ Required for dismantling
- ⊕ Emergency actuation
- ⊕ For attachment
- ⊕ Bake-out area
- ⊕ Differential pumping port

Vacuum gate valve



VAT Vakuumventile AG

CH-9469 Haag, Switzerland
Tel ++41 81 7716161 Fax ++41 81 7714830

Rev.-Date: 11.11.11

Visa: HUC

Series	121	Ordering No.	12148-PA44-0001
Projection E	DN	Flange	ISO-F
	250		
Dimensional Drawing	210570	Rev.	