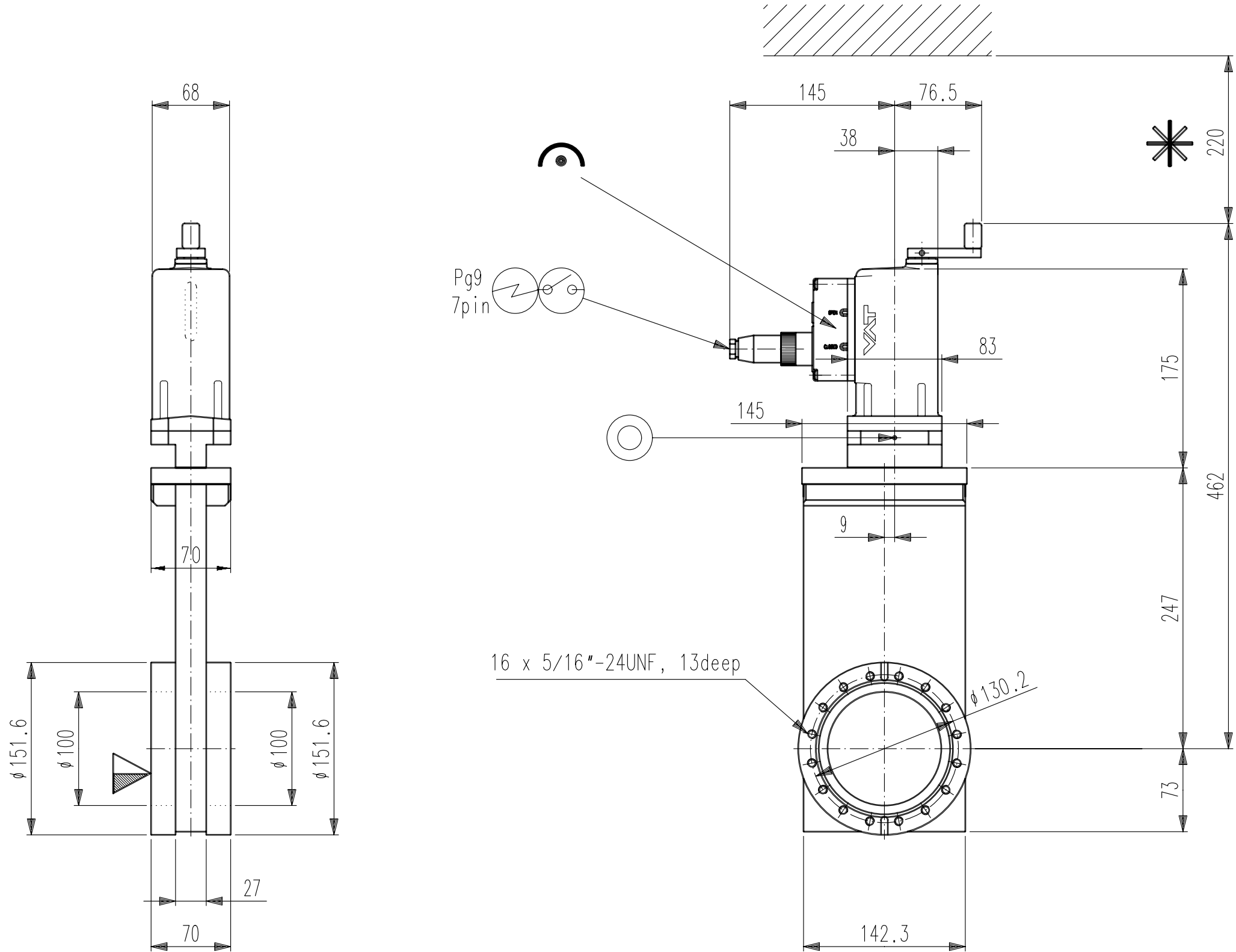


This drawing is the property of VAT.  
Without the written consent of VAT, it must  
not be copied or distributed to a third person

Revision	
Code	
Date	
Name	



- ▼ Seat side
- ⊙ Comp. air connection
- ⚡ Electrical connection
- ⊙ Leak detection port
- ⊙ Mech. pos. indication
- ⊙ Position indicator
- ⊙ \* Required for dismantling
- ⊙ Emergency actuation
- ⊙ For attachment
- ⊙ Bake-out area

**UHV Gate Valve**  
manual actuator



**VAT Vakuumventile AG**  
CH-9469 Haag, Switzerland  
Tel ++41 81 7716161 Fax ++41 81 7714830

Date: 14.07.2000  
Name: Suter

Series	10	Ordering No.	10840-UE08
Projection E		DN	100
		Flange	CF-F UNF
Dimensional Drawing			212281
		Rev.	