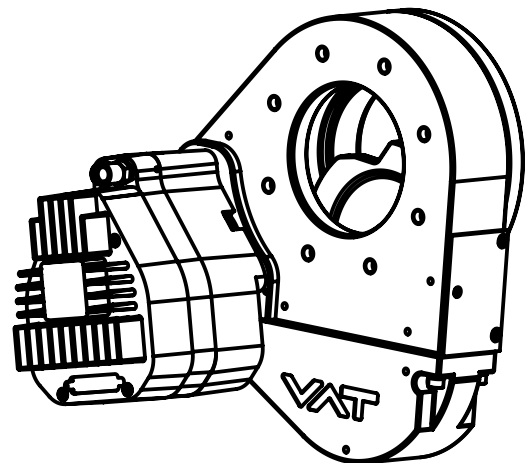
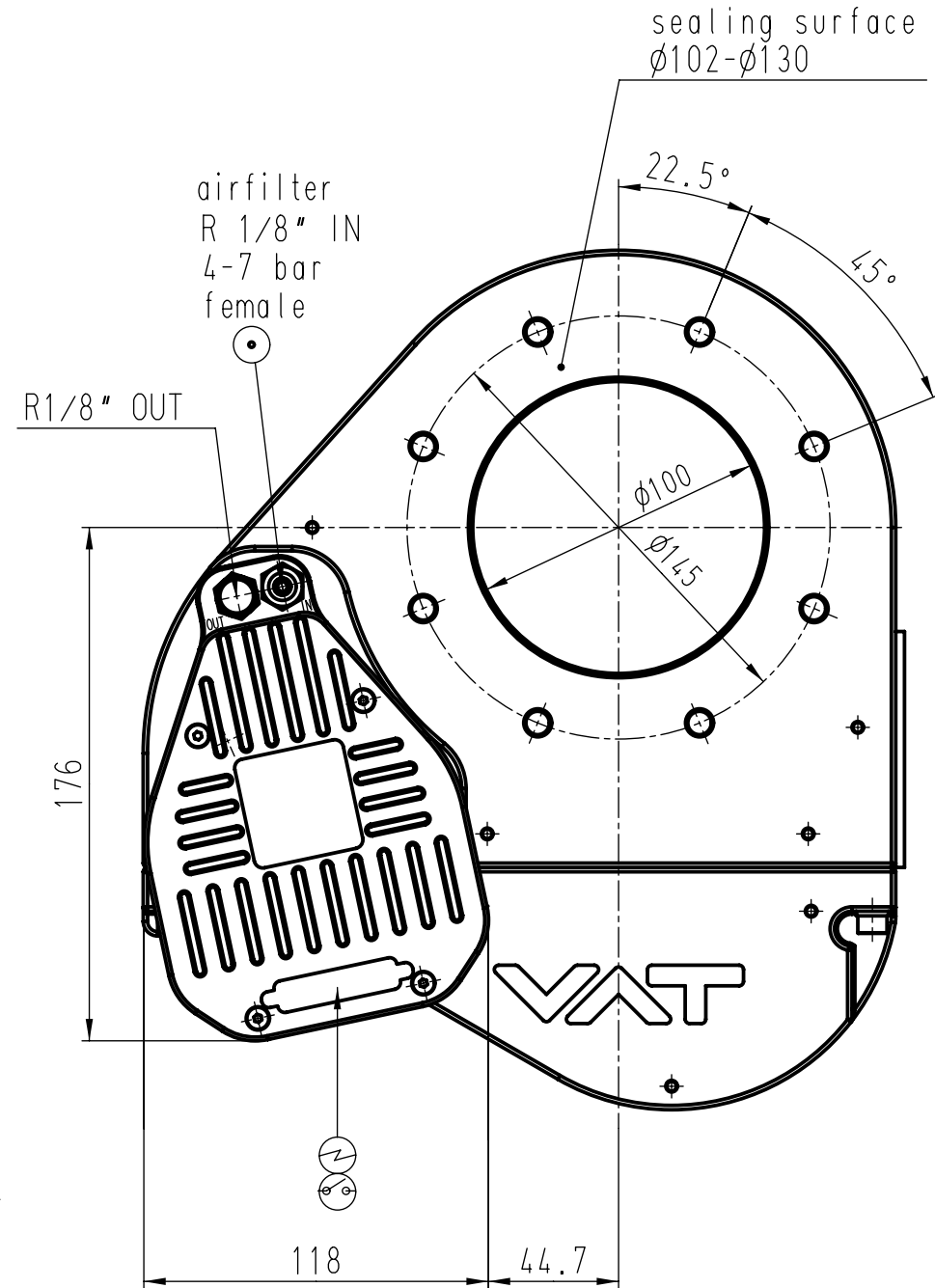
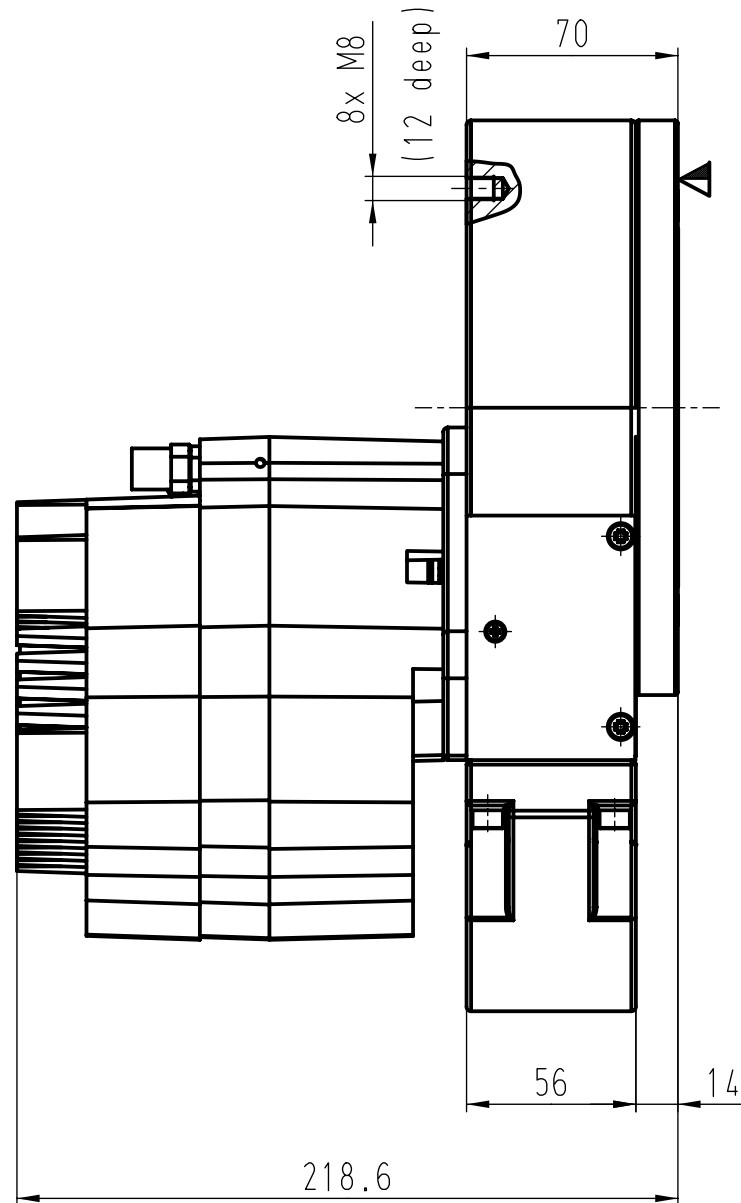
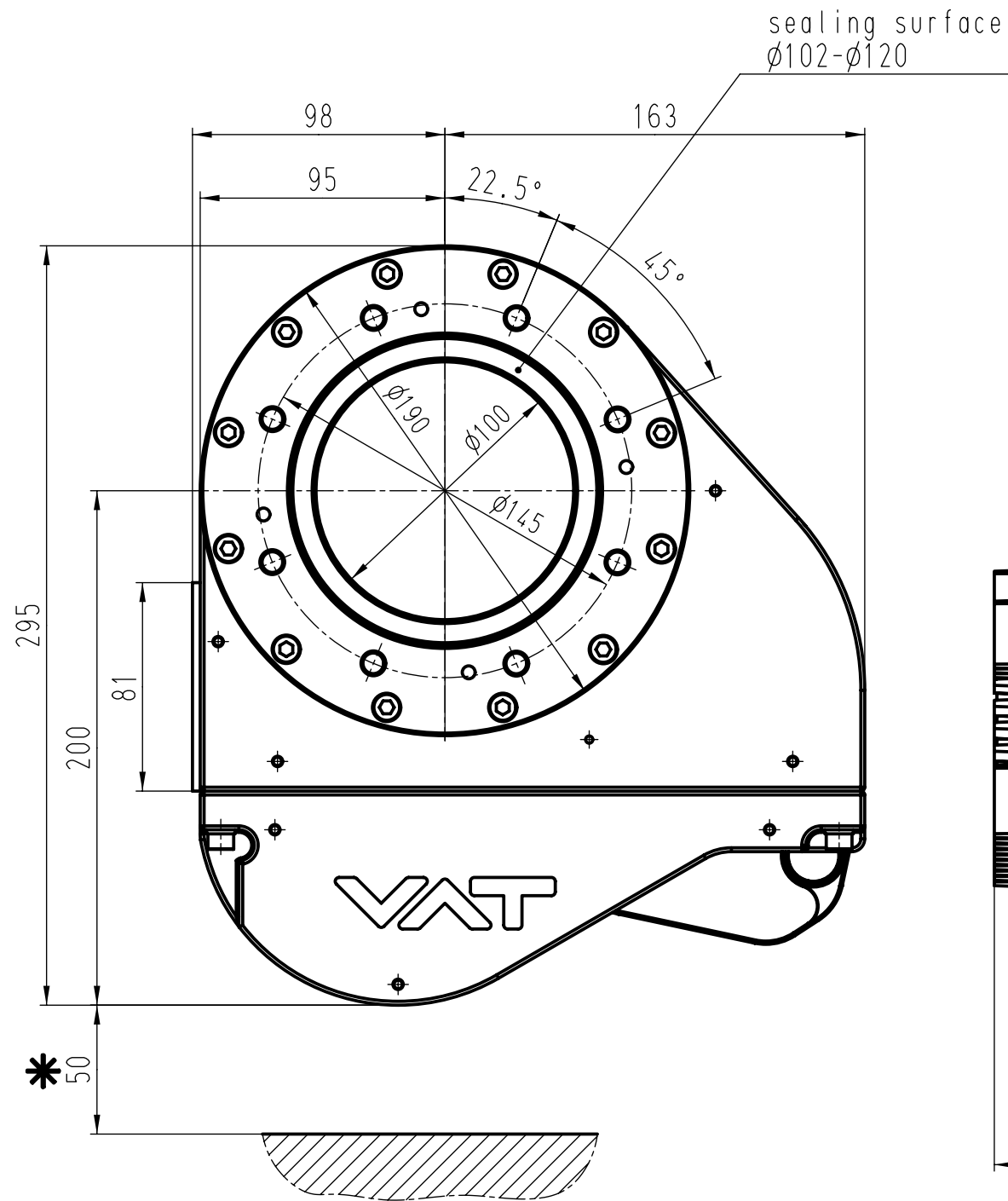


This drawing is the property of VAT.  
Without the written consent of VAT, it must  
not be copied or distributed to a third person



Revision	A
Code	27.09.05
Date	LMC
Name	

- ▽ Seat side
- ⊙ Comp. air connection
- ⊕ Electrical connection
- ⊖ Leak detection port
- ⊗ Mech. pos. indication
- ⊘ Position indicator
- ⊙\* Required for dismantling
- ⊙ Emergency actuation
- ⊙ For attachment
- ⊙ Bake-out area

## Pendulum Control Valve

Stepper Motor  
actuator "B1"



**VAT Vakuumventile AG**  
CH-9469 Haag, Switzerland  
Tel ++41 81 7716161 Fax ++41 81 7714830

Date: 03.11.2000  
Name: EHRNE

Series	65	Ordering No.	65040-PA52-0003
Projection E		DN	100
		Flange	ISO-F
Dimensional Drawing	216884	Rev.	A