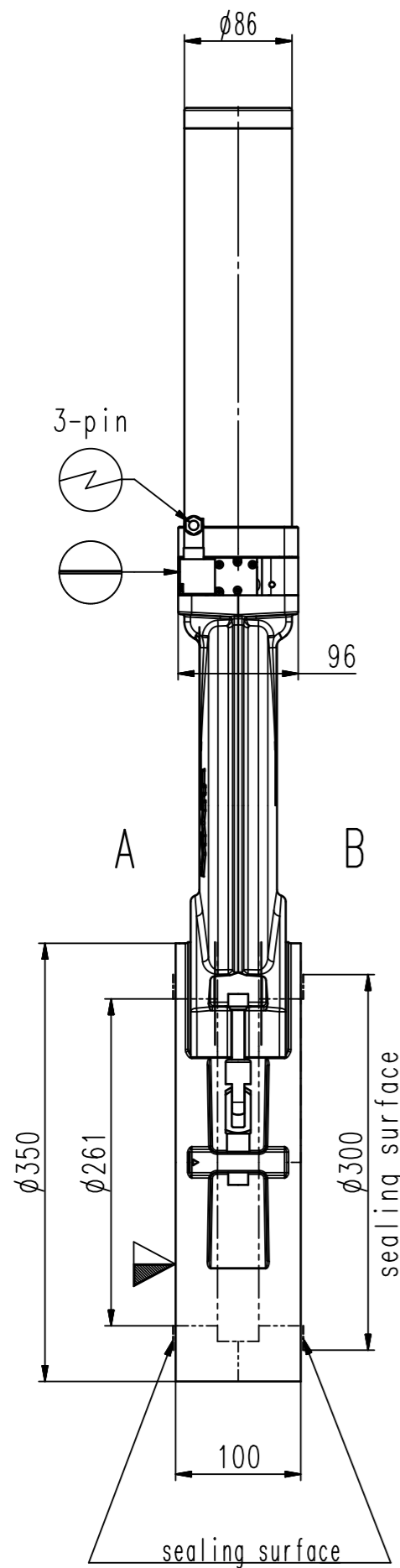


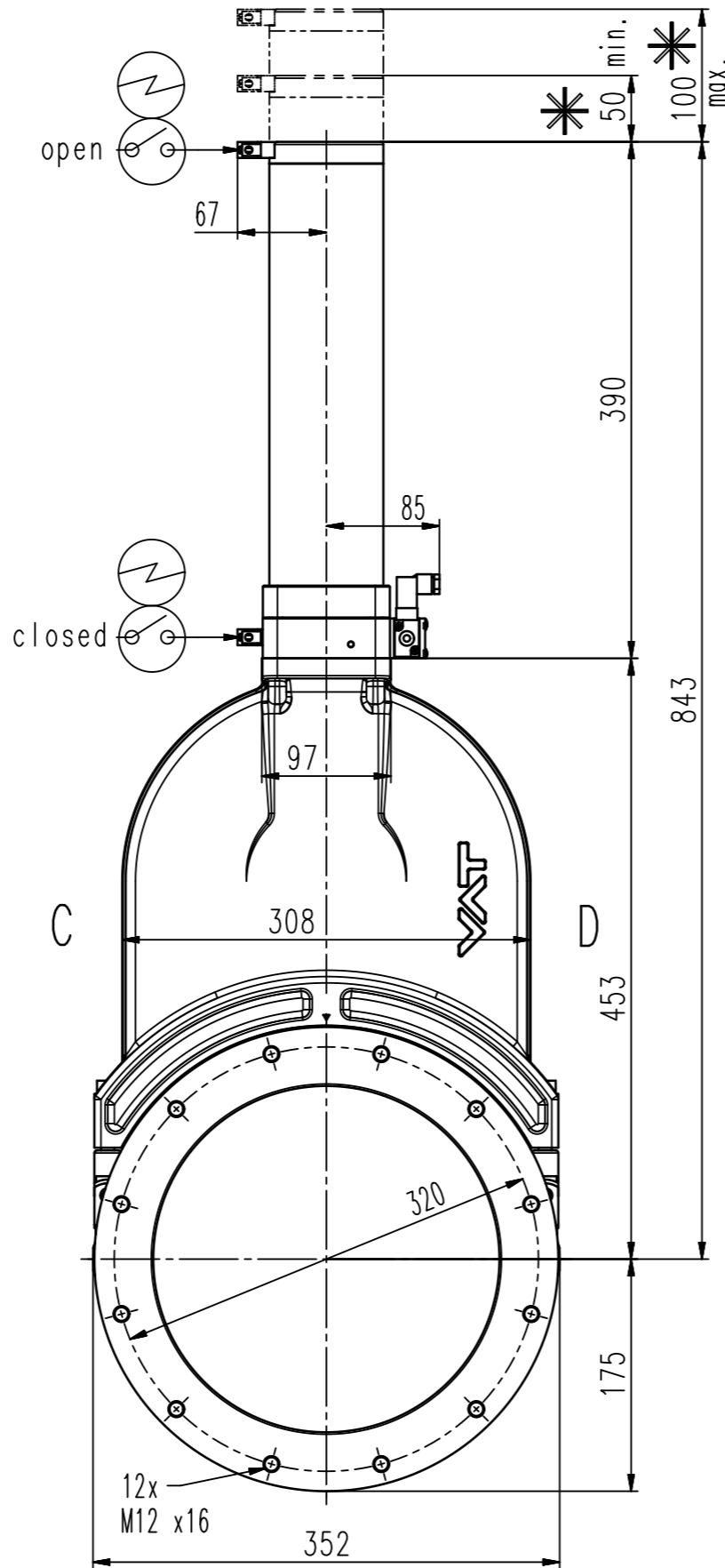
This drawing is the property of VAT.

Revision

Customer number



D-side



- ▼ Seat side
- ⊙ Comp. air connection
- ⊙ Electrical connection
- ⊙ Leak detection port
- ⊙ Mech. pos. indication
- ⊙ Position indicator
- ⊙ Required for dismantling
- ⊙ Emergency actuation
- ⊙ For attachment
- ⊙ Bake-out area
- ⊙ Differential pumping port

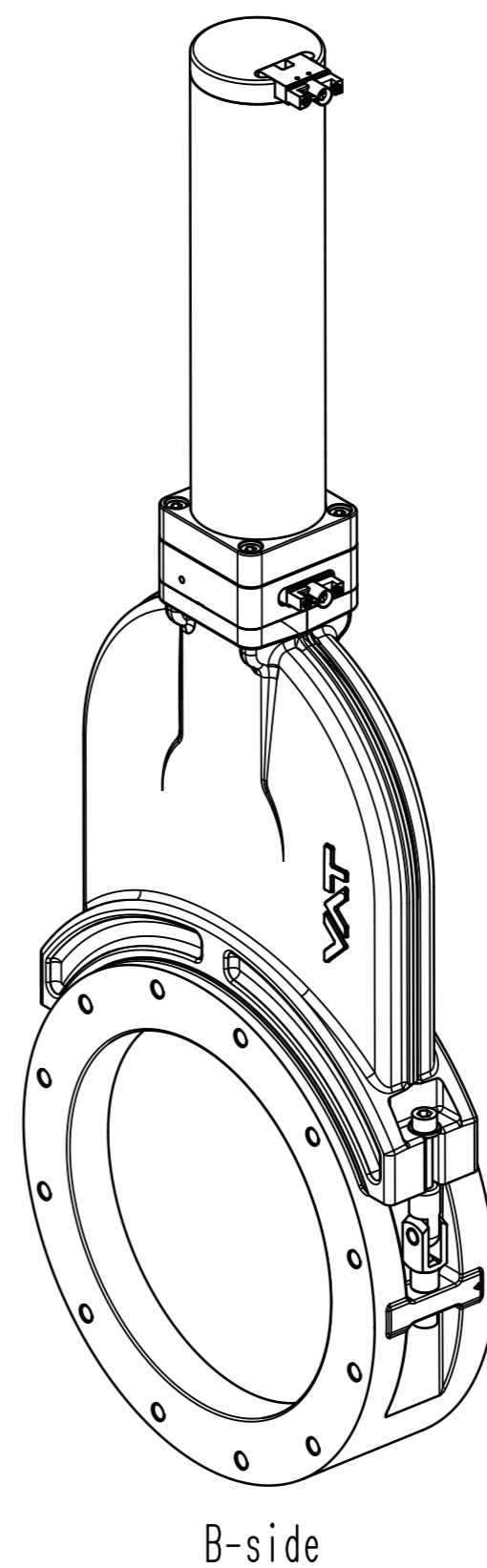
Vacuum gate valve



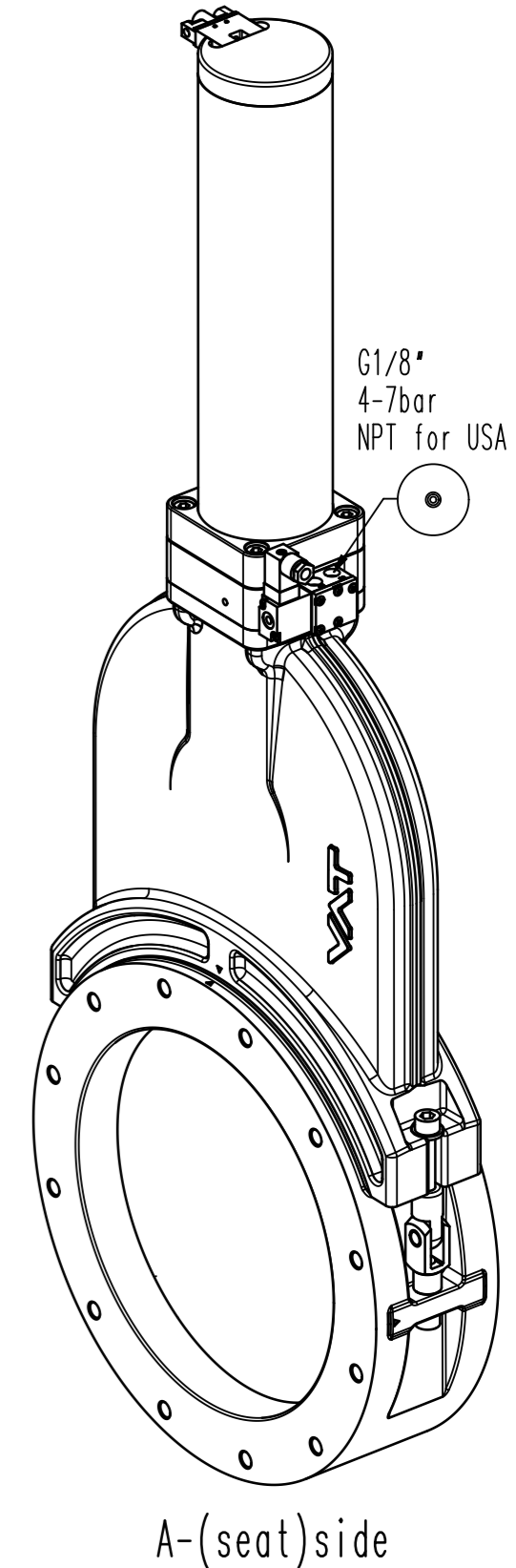
VAT Vakuumventile AG  
 CH-9469 Haag, Switzerland  
 Tel ++41 81 7716161 Fax ++41 81 7714830

Rev.-Date: 11.11.11  
 Visa: HUC

Series	121	Ordering No.	12148-JA44-0001
Projection E	DN	Flange	JIS
	250	Rev.	
Dimensional Drawing	223684		



B-side



A-(seat)side

G1/8"  
 4-7bar  
 NPT for USA