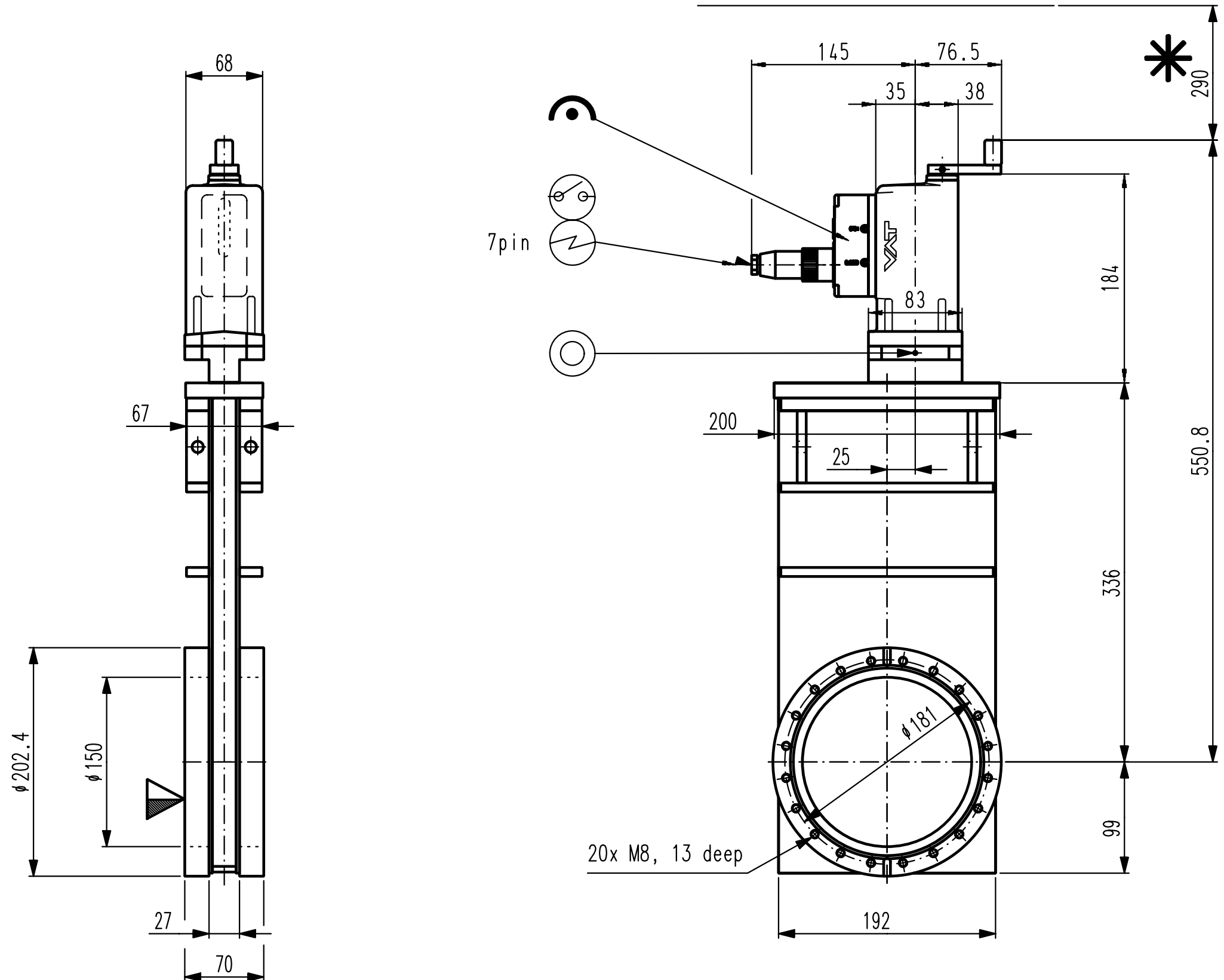


This drawing is the property of VAT.
Without the written consent of VAT, it must
not be copied or distributed to a third person

Revision	
Code	
Date	
Name	



- ▼ Seat side
- ⊙ Comp. air connection
- ⊕ Electrical connection
- ⊖ Leak detection port
- ⊙ Mech. pos. indication
- ⊙ Position indicator
- ⊙ Required for dismantling
- ⊙ Emergency actuation
- ⊙ For attachment
- ⊙ Bake-out area
- ⊙ Differential pumping port

UHV Gate Valve
manual actuator



VAT Vakuumventile AG
CH-9469 Haag, Switzerland
Tel ++41 81 7716161 Fax ++41 81 7714830

Date: 21.01.2002
Name: SUP

Series	10	Ordering No.	10844-CE08
Projection E		DN	160
		Flange	CF-F metr

Dimensional Drawing	226691	Rev.	
---------------------	--------	------	--