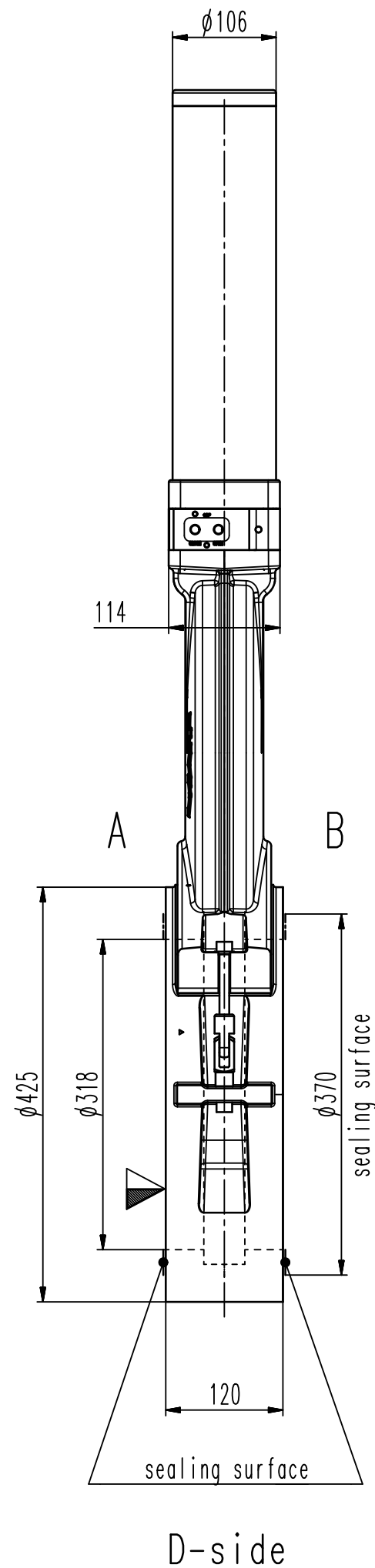


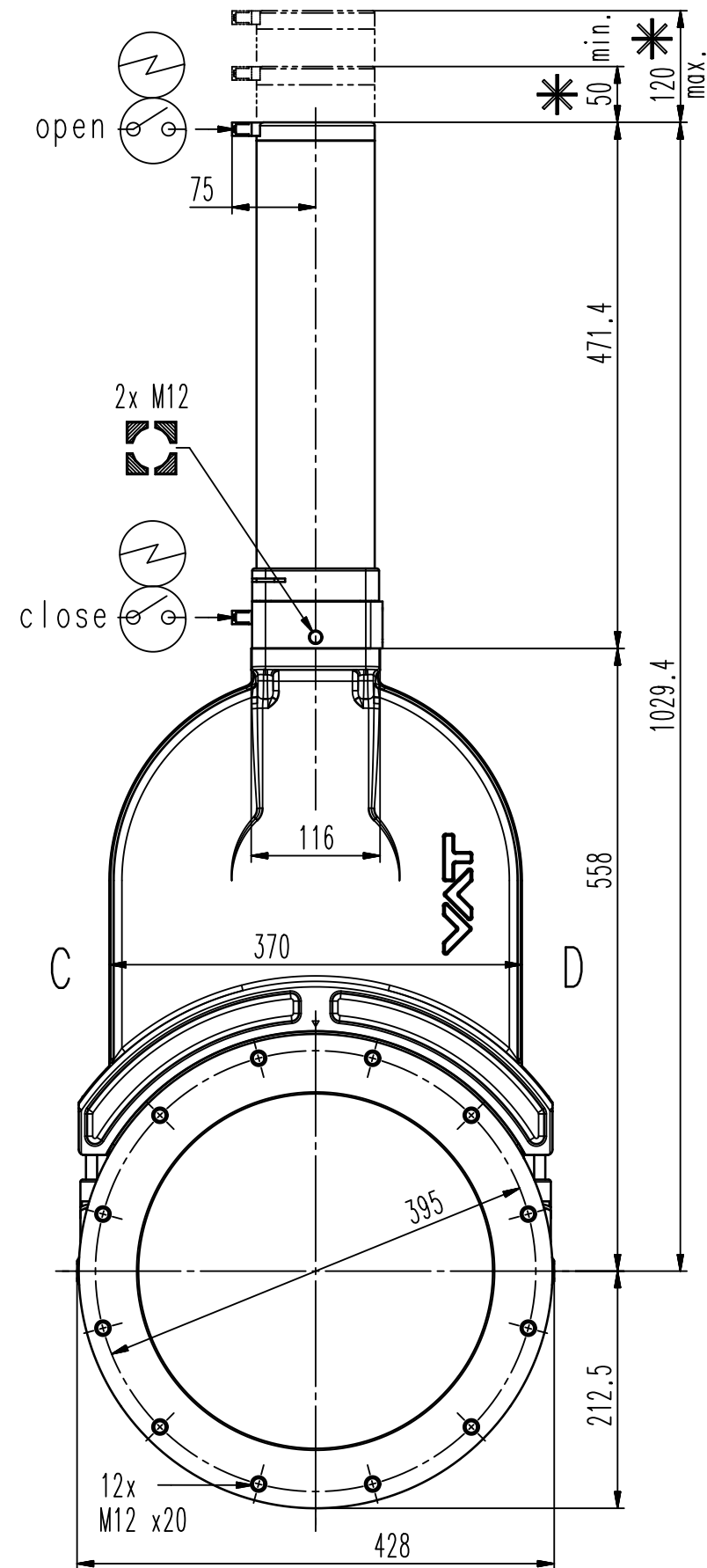
This drawing is the property of VAT.

Revision

Customer number



D-side



B-side

A-(seat)side

- ▼ Seat side
- ⊙ Comp. air connection
- ⊕ Electrical connection
- ⊖ Leak detection port
- ⊗ Mech. pos. indication
- ⊘ Position indicator
- ⊙\* Required for dismantling
- ⊙\* Emergency actuation
- ⊙ For attachment
- ⊙ Bake-out area
- ⊙ Differential pumping port

Vacuum gate valve



VAT Vakuumentile AG  
 CH-9469 Haag, Switzerland  
 Tel ++41 81 7716161 Fax ++41 81 7714830

Rev.-Date: 11.11.11  
 Visa: HUC

Series	121	Ordering No.	12150-PA24-0001
Projection E	DN	Flange	ISO-F
	320		
Dimensional Drawing	228467	Rev.	