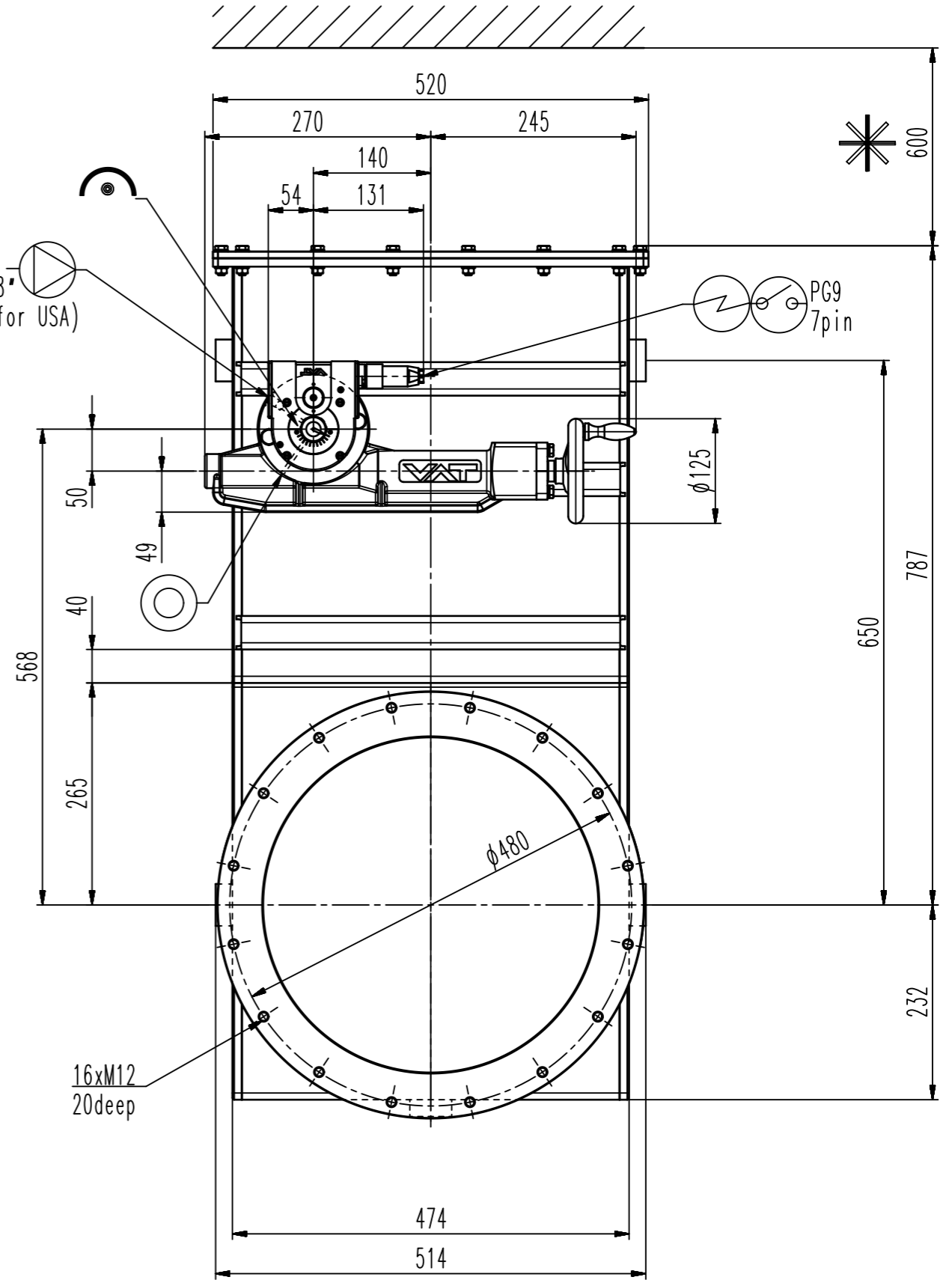


R1/8" (1/8"NPT for USA)



- ▼ Seat side
- ⊙ Comp. air connection
- ⊙ Electrical connection
- ⊙ Leak detection port
- ⊙ Mech. pos. indication
- ⊙ Position indicator
- ⊙ Required for dismantling
- ⊙ Emergency actuation
- ⊙ For attachment
- ⊙ Bake-out area
- ⊙ Differential pumping port

HV gate valve



VAT Vakuumentile AG  
 CH-9469 Haag, Switzerland  
 Tel ++41 81 7716161 Fax ++41 81 7714830

Date: 21.06.02  
 Name: WEW

Series	140	Ordering No.	14052-PE08-0001
Projection E	DN	Flange	ISO-F
	400		
Dimensional Drawing	230886	Rev.	A