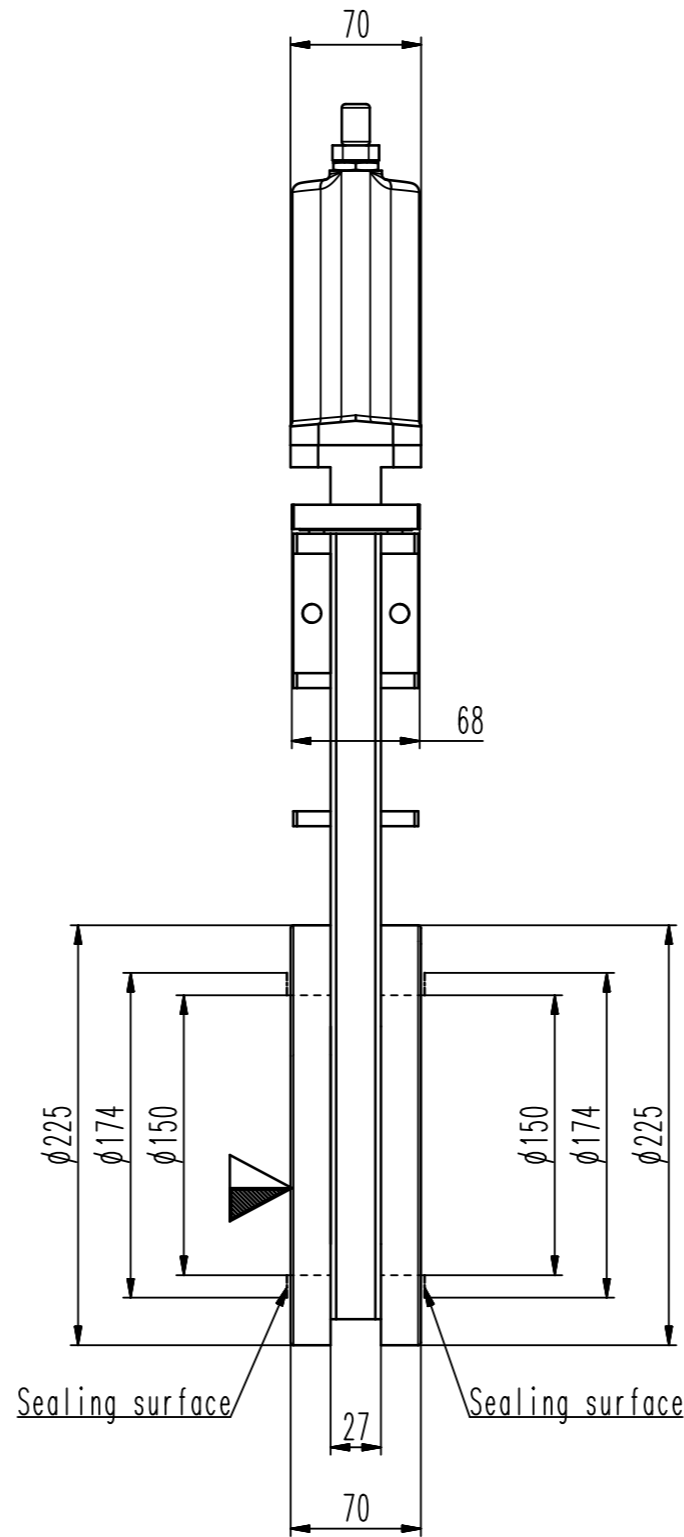
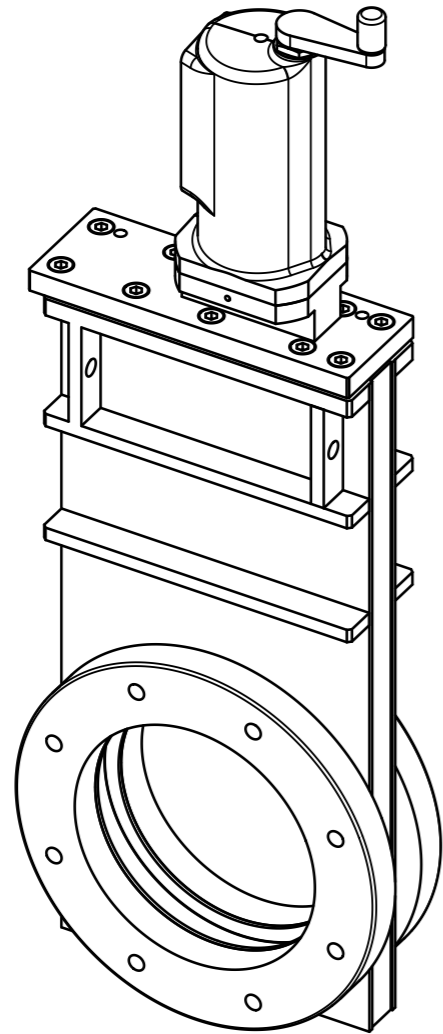


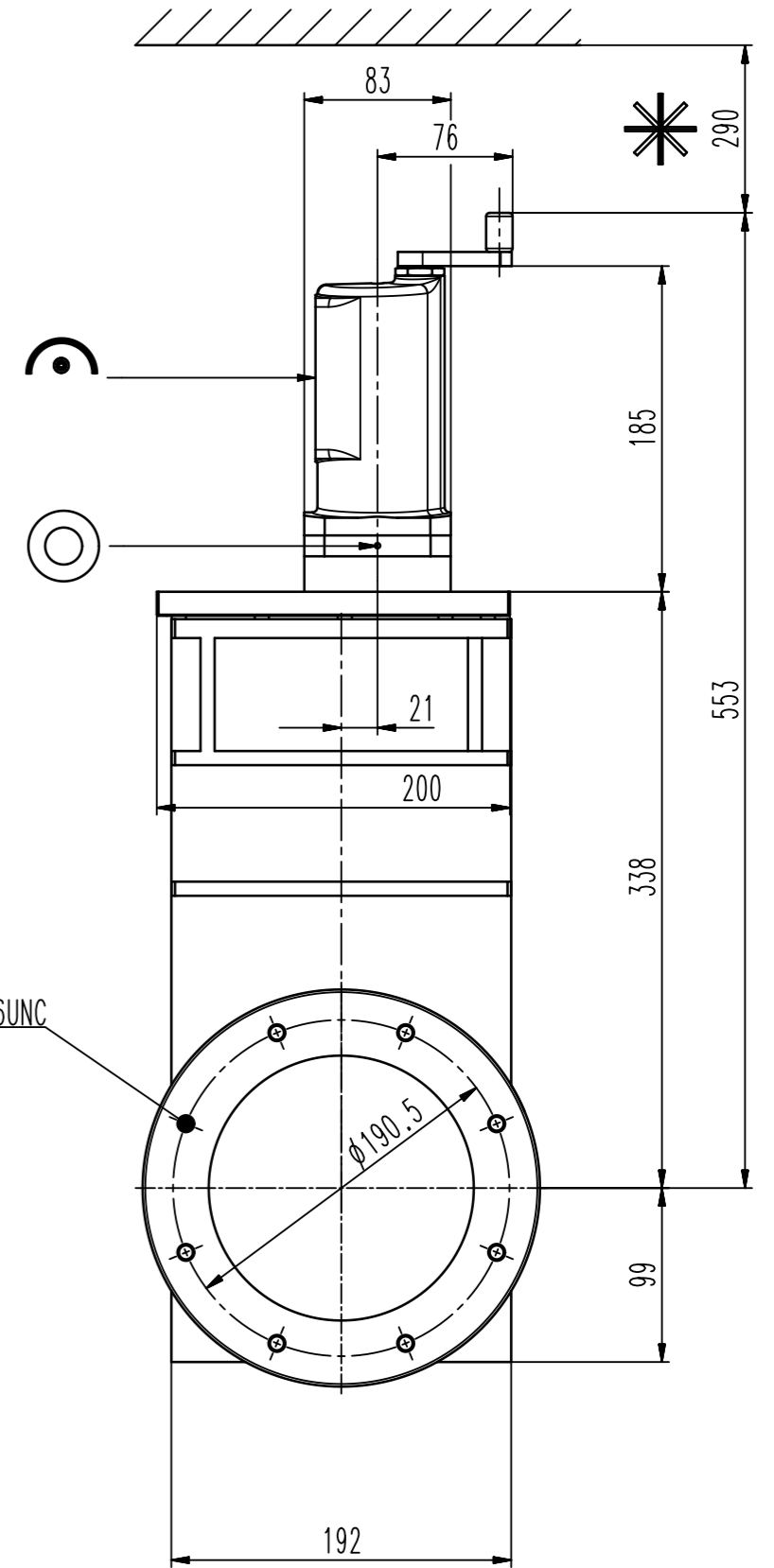
This drawing is the property of VAT.

Revision

Customer number



8x3/8"-16UNC
15 deep



- ▼ Seat side
- ⊙ Comp. air connection
- ⊙ Electrical connection
- ⊙ Leak detection port
- ⊙ Mech. pos. indication
- ⊙ Position indicator
- ⊙ Required for dismantling
- ⊙ Emergency actuation
- ⊙ For attachment
- ⊙ Bake-out area
- ⊙ Differential pumping port

UHV gate valve



VAT Vakuumentile AG
CH-9469 Haag, Switzerland
Tel ++41 81 7716161 Fax ++41 81 7714830

Date: 04.07.02
Name: BRR

Series	108	Ordering No.	10844-TE01-0004
Projection E	DN	Flange	ASA-LP
	160	Rev.	
Dimensional Drawing	231228		