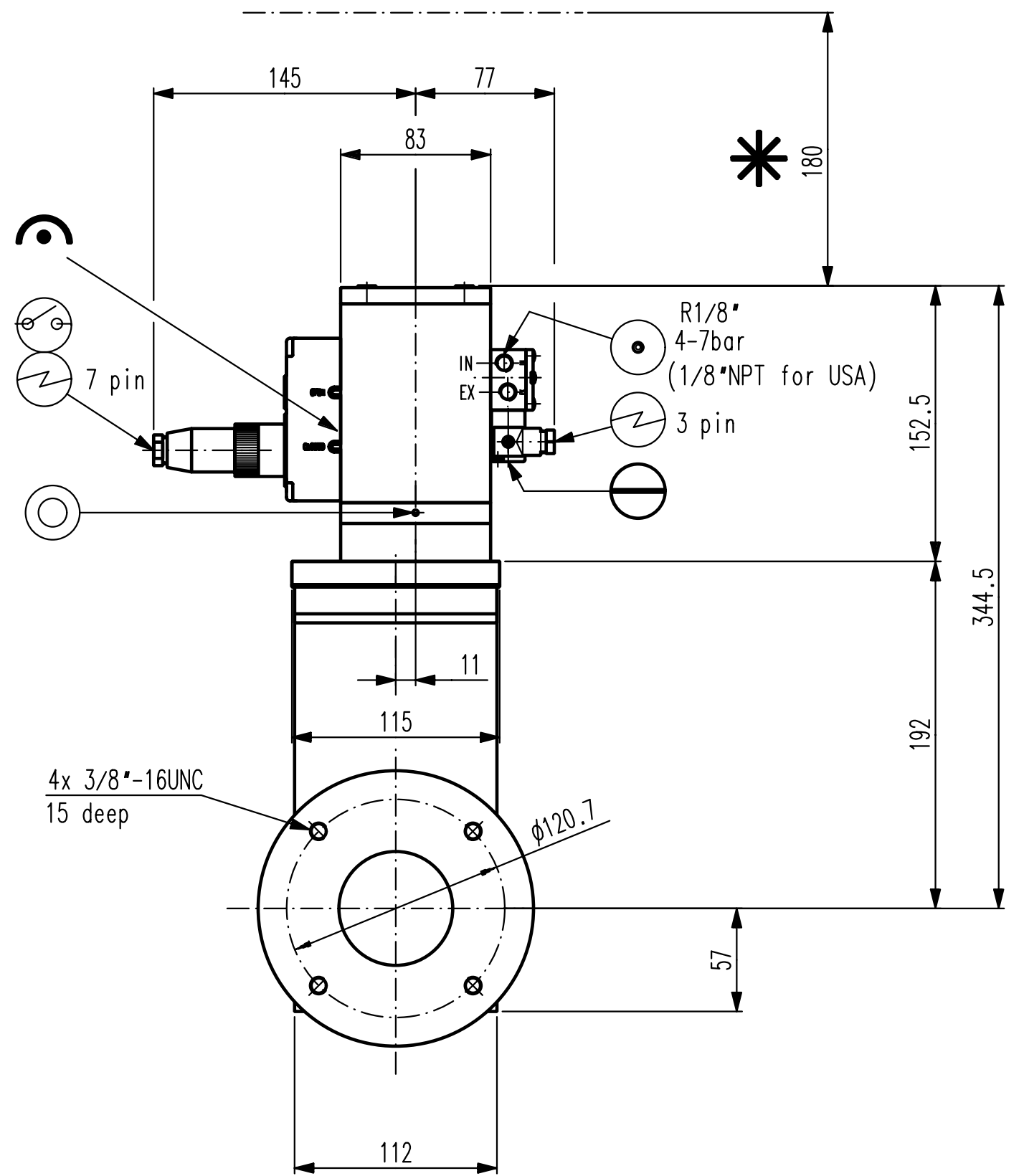
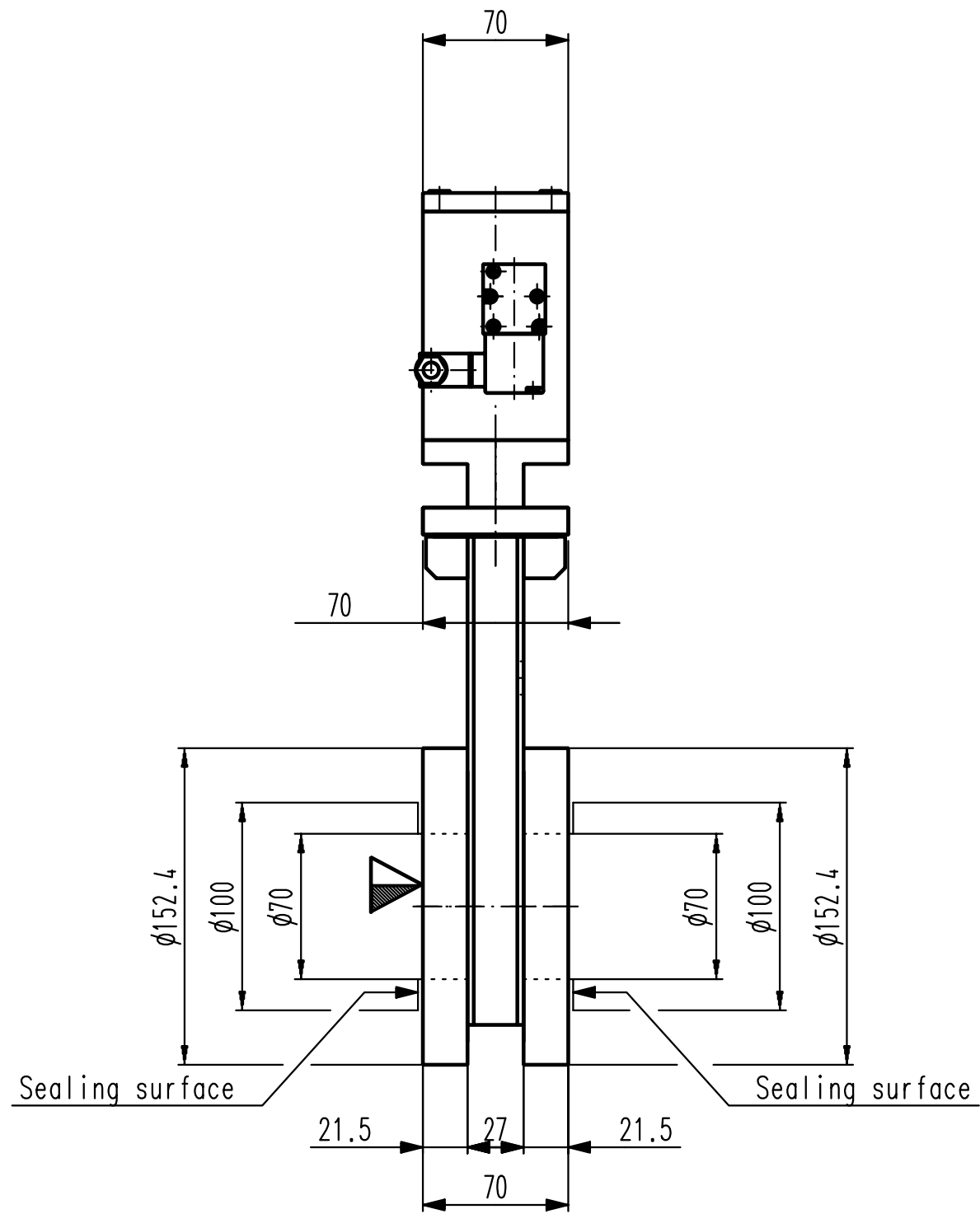


This drawing is the property of VAT.
Without the written consent of VAT, it must
not be copied or distributed to a third person



| | |
|----------|--|
| Revision | |
| Code | |
| Date | |
| Name | |

- ▼ Seat side
- ⊙ Comp. air connection
- ⊕ Electrical connection
- ⊖ Leak detection port
- ⊗ Mech. pos. indication
- ⊘ Position indicator
- ⊙* Required for dismantling
- ⊙ Emergency actuation
- ⊙ For attachment
- ⊙ Bake-out area
- ⊙ Differential pumping port

UHV Gate Valve

pneumatic actuator



VAT Vakuumventile AG
CH-9469 Haag, Switzerland
Tel ++41 81 7716161 Fax ++41 81 7714830

Date: 28.02.03
Name: SUP

| | | | |
|---------------------|----|--------------|------------|
| Series | 10 | Ordering No. | 10836-TE44 |
| Projection E | | DN | 63 |
| | | Flange | ASA-LP |
| Dimensional Drawing | | | 231370 |
| | | Rev. | |