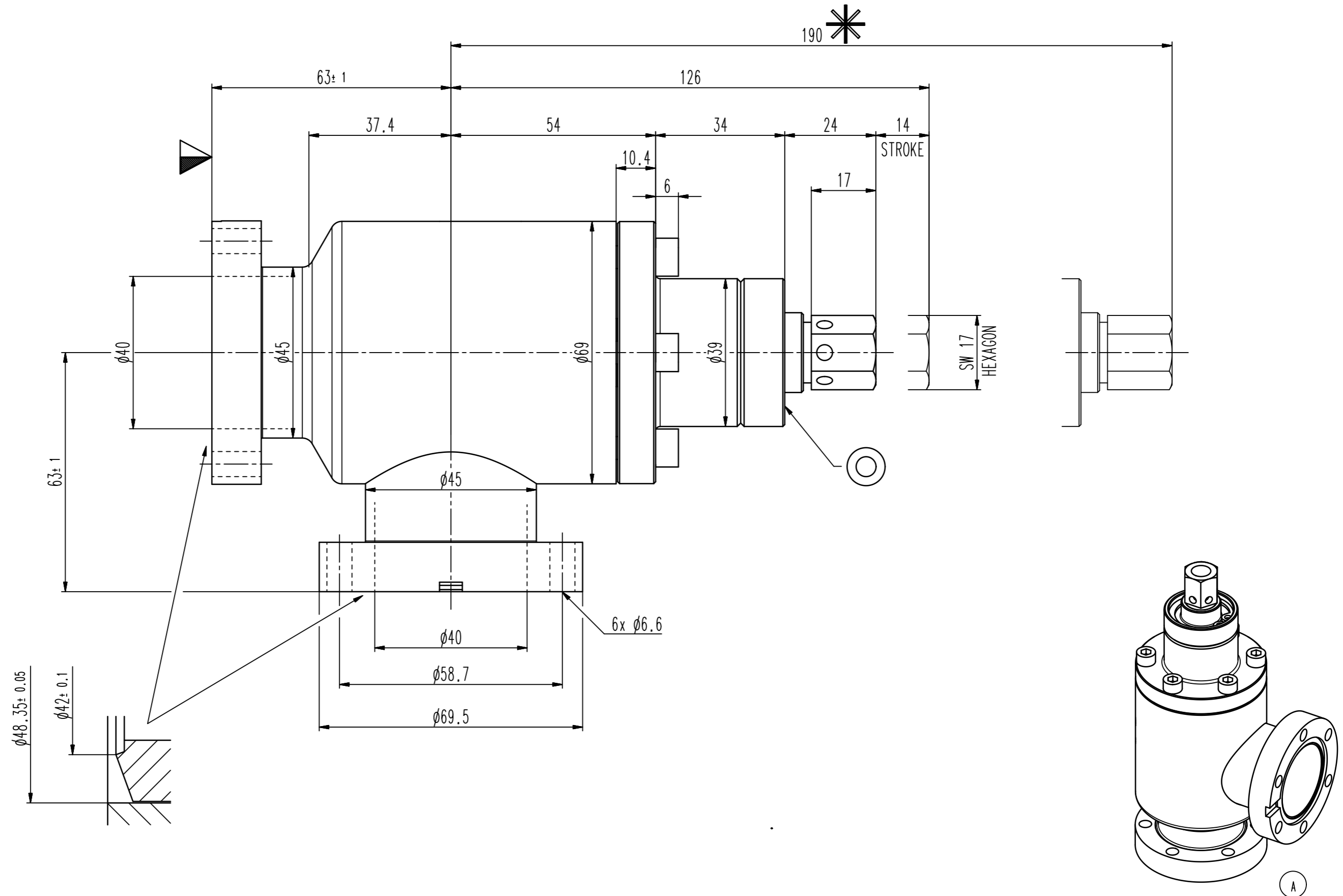


This drawing is the property of VAT.
 Without the written consent of VAT, it must not be copied or distributed to a third person.

Revision	Customer number
Code	
Date	
Name	



- ▼ Seat side
- ⊙ Comp. air connection
- ⊙ Electrical connection
- ⊙ Leak detection port
- ⊙ Mech. pos. indication
- ⊙ Position indicator
- ★ Required for dismantling
- ⊙ Emergency actuation
- ⊙ For attachment
- ⊙ Bake-out area
- ⊙ Differential pumping port

All-metal angle valve

VAT VAT Vakuumventile AG
 CH-9469 Haag, Switzerland
 Tel ++41 81 7716161 Fax ++41 81 7714830

Date: 20.09.02
 Name: LBR

Series	571	Ordering No.	57132-GE02-0005
Projection E	⊙	DN	40
	⊙	Flange	CF-R
Dimensional Drawing	233056	Rev.	A