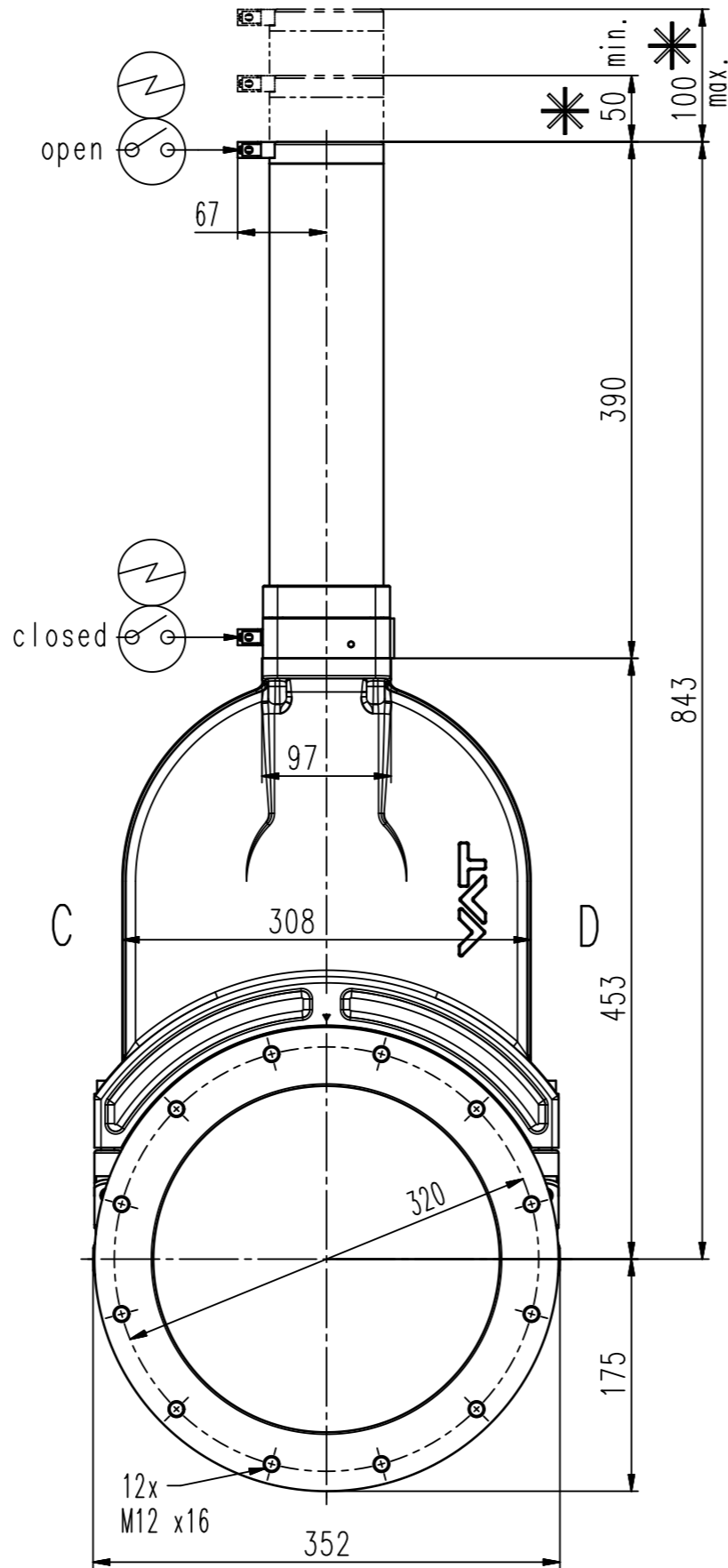
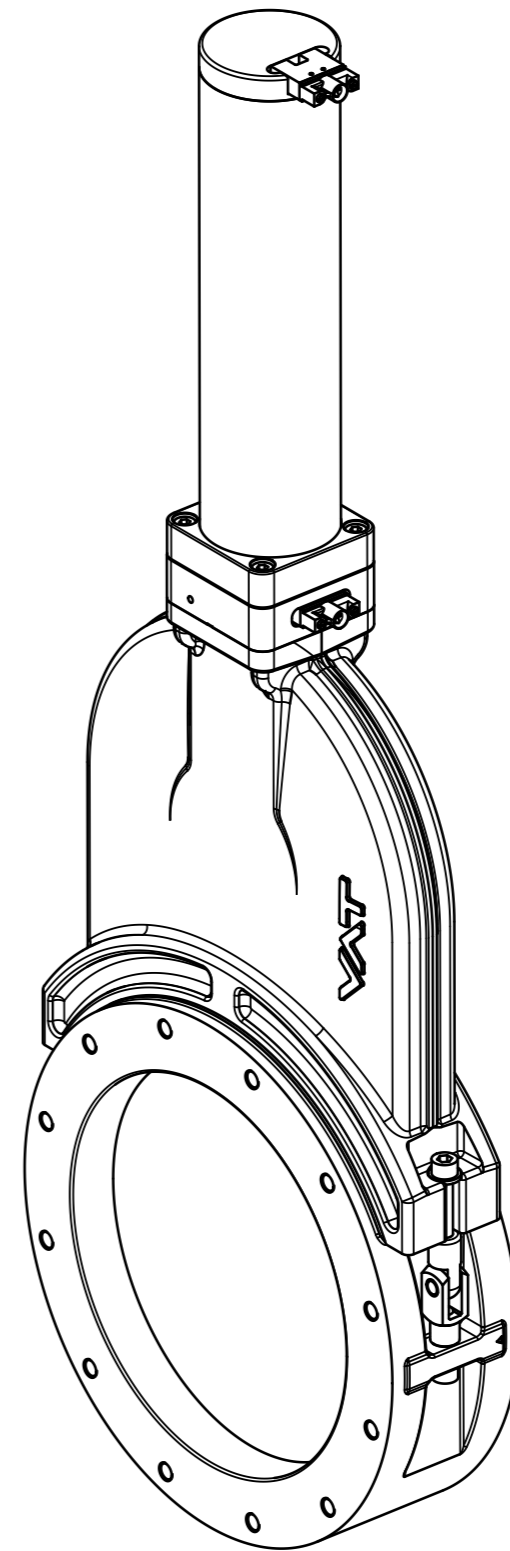


D-side

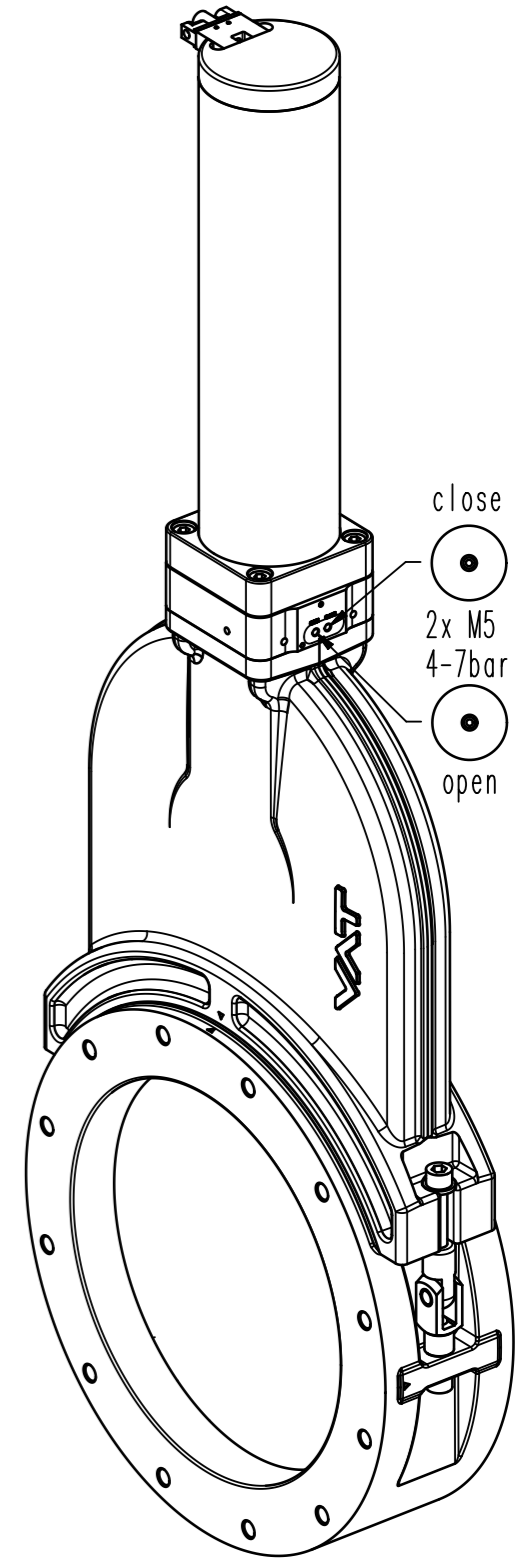


closed

open



B-side



A-(seat)side

- ▼ Seat side
- ⊙ Comp. air connection
- ⊙ Electrical connection
- ⊙ Leak detection port
- ⊙ Mech. pos. indication
- ⊙ Position indicator
- ⊙ Required for dismantling
- ⊙ Emergency actuation
- ⊙ For attachment
- ⊙ Bake-out area
- ⊙ Differential pumping port

Vacuum gate valve



VAT Vakuumentile AG
CH-9469 Haag, Switzerland
Tel ++41 81 7716161 Fax ++41 81 7714830

Date: 14.10.02
Name: BRR

Series	121	Ordering No.	12148-JA24-0001
Projection E	DN	Flange	JIS
	250		
Dimensional Drawing	233638	Rev.	