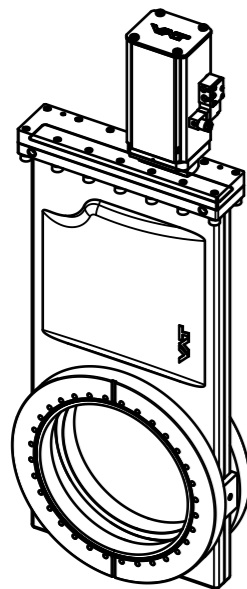
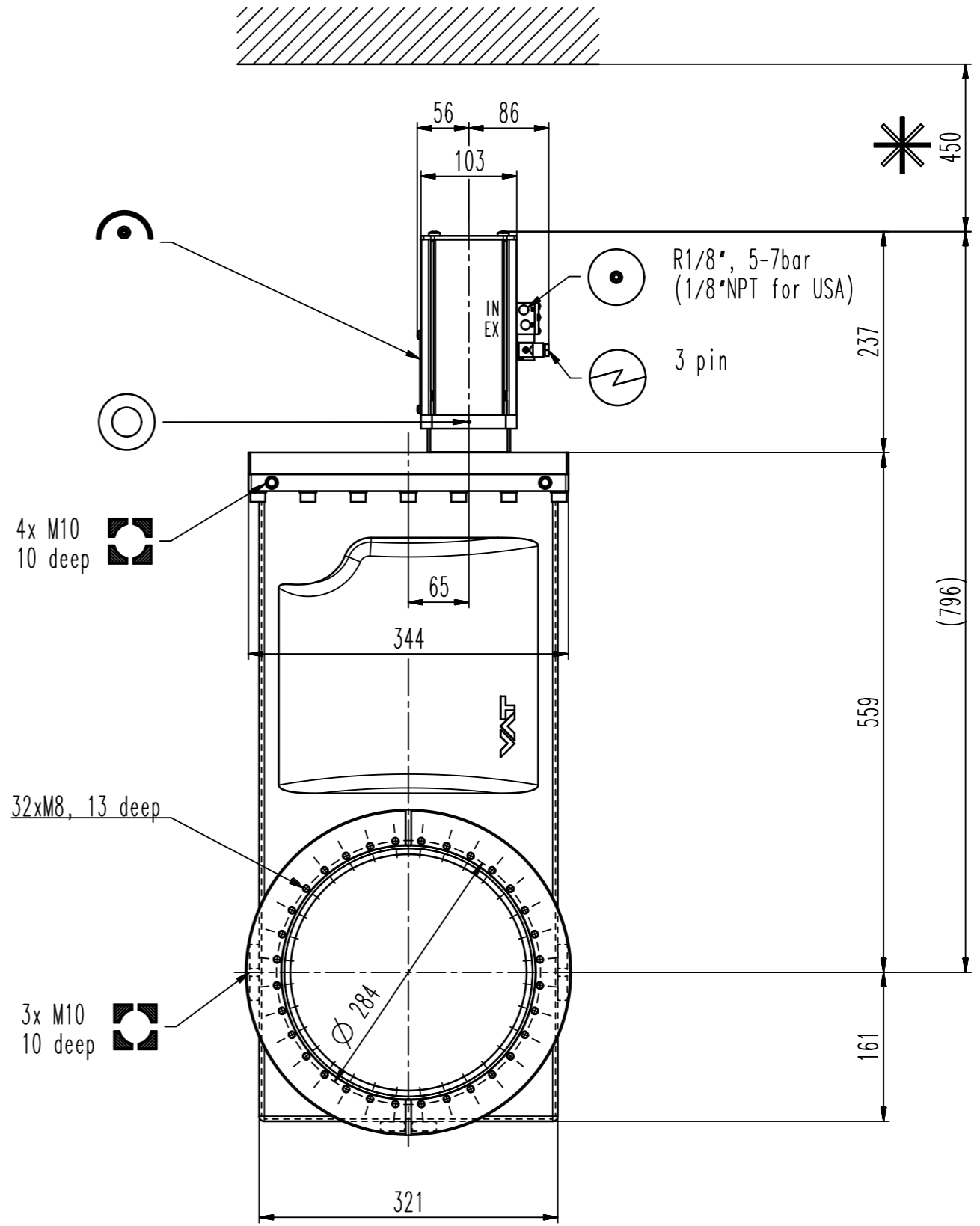
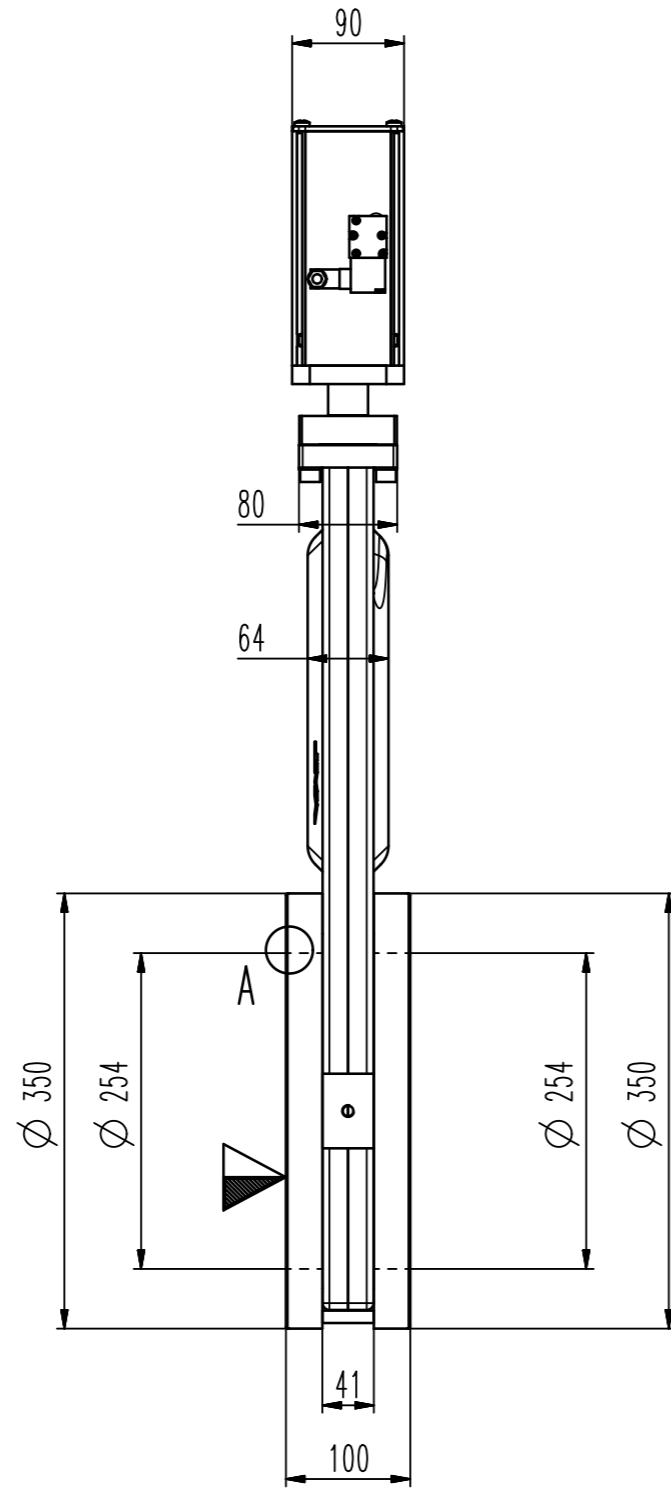
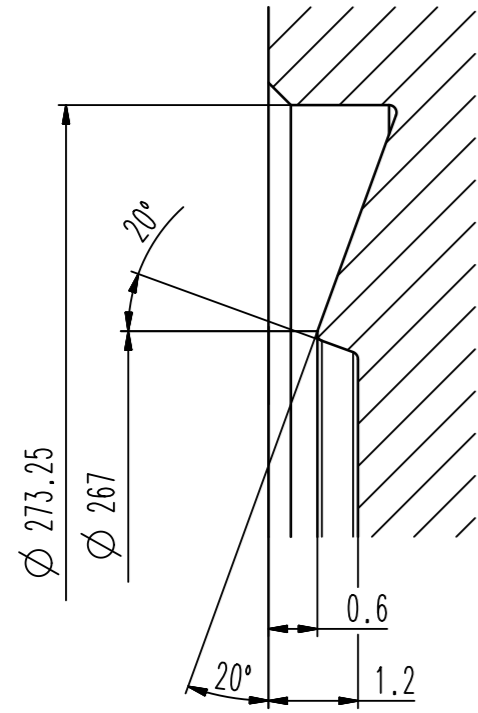


This drawing is the property of VAT.

Revision

Customer number

A (10:1)



- ▼ Seat side
- ⊙ Comp. air connection
- ⊙ Electrical connection
- ⊙ Leak detection port
- ⊙ Mech. pos. indication
- ⊙ Position indicator
- ⊙ Required for dismantling
- ⊙ Emergency actuation
- ⊙ For attachment
- ⊙ Bake-out area
- ⊙ Differential pumping port

UHV gate valve



VAT Vakuumentile AG
 CH-9469 Haag, Switzerland
 Tel ++41 81 7716161 Fax ++41 81 7714830

Date: 21.03.03
 Name: SUP

Series	108	Ordering No.	10848-CE34-0007
Projection E	DN	Flange	
	250	CF-F m	
Dimensional Drawing	237988	Rev.	A