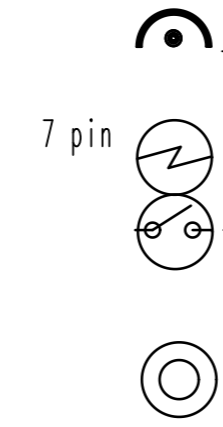
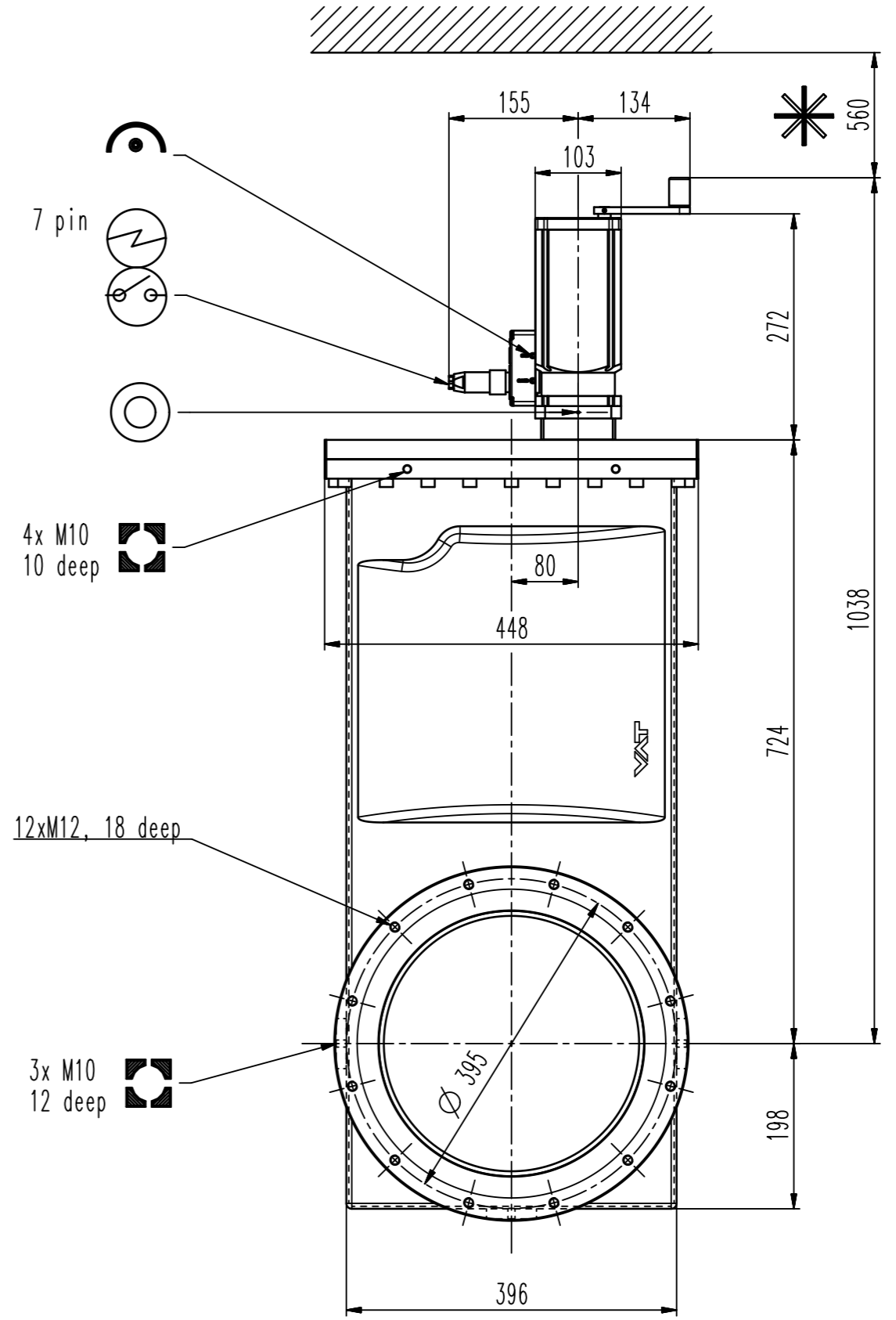
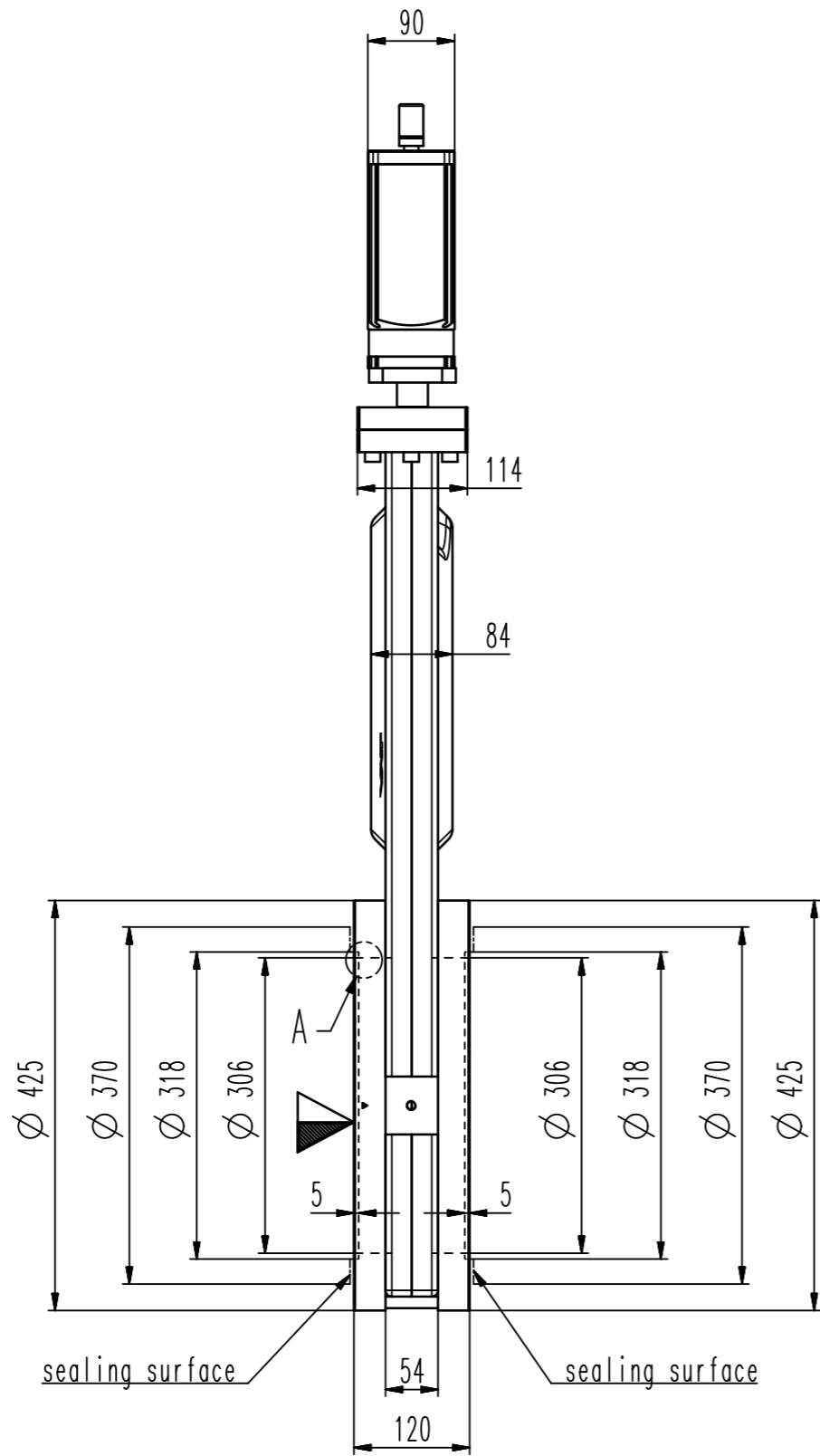
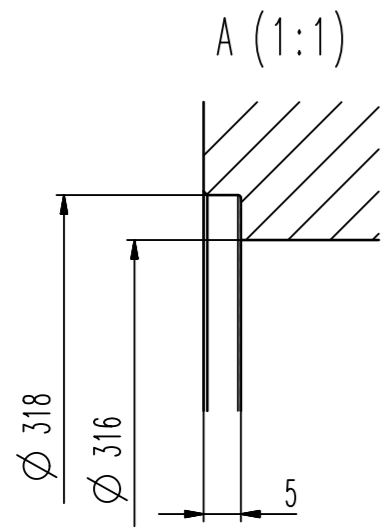
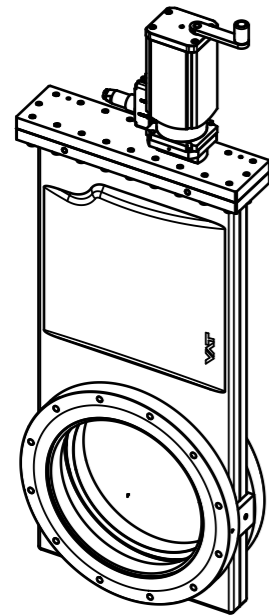


This drawing is the property of VAT.

Revision

Customer number



12xM12, 18 deep



- ▼ Seat side
- ⊙ Comp. air connection
- ⊙ Electrical connection
- ⊙ Leak detection port
- ⊙ Mech. pos. indication
- ⊙ Position indicator
- ⊙ Required for dismantling
- ⊙ Emergency actuation
- ⊙ For attachment
- ⊙ Bake-out area
- ⊙ Differential pumping port

UHV gate valve



VAT Vakuumentile AG
 CH-9469 Haag, Switzerland
 Tel ++41 81 7716161 Fax ++41 81 7714830

Date: 21.03.03
 Name: SUP

Series	108	Ordering No.	10850-PE08-0005
Projection E	DN	Flange	
	320	ISO-F	
Dimensional Drawing	237993	Rev.	A