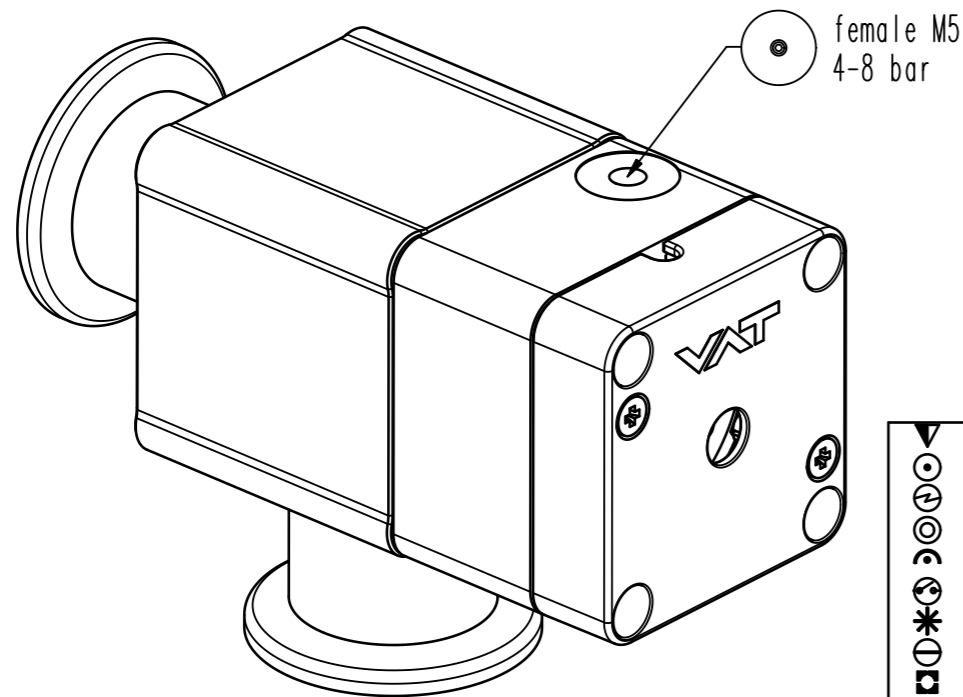
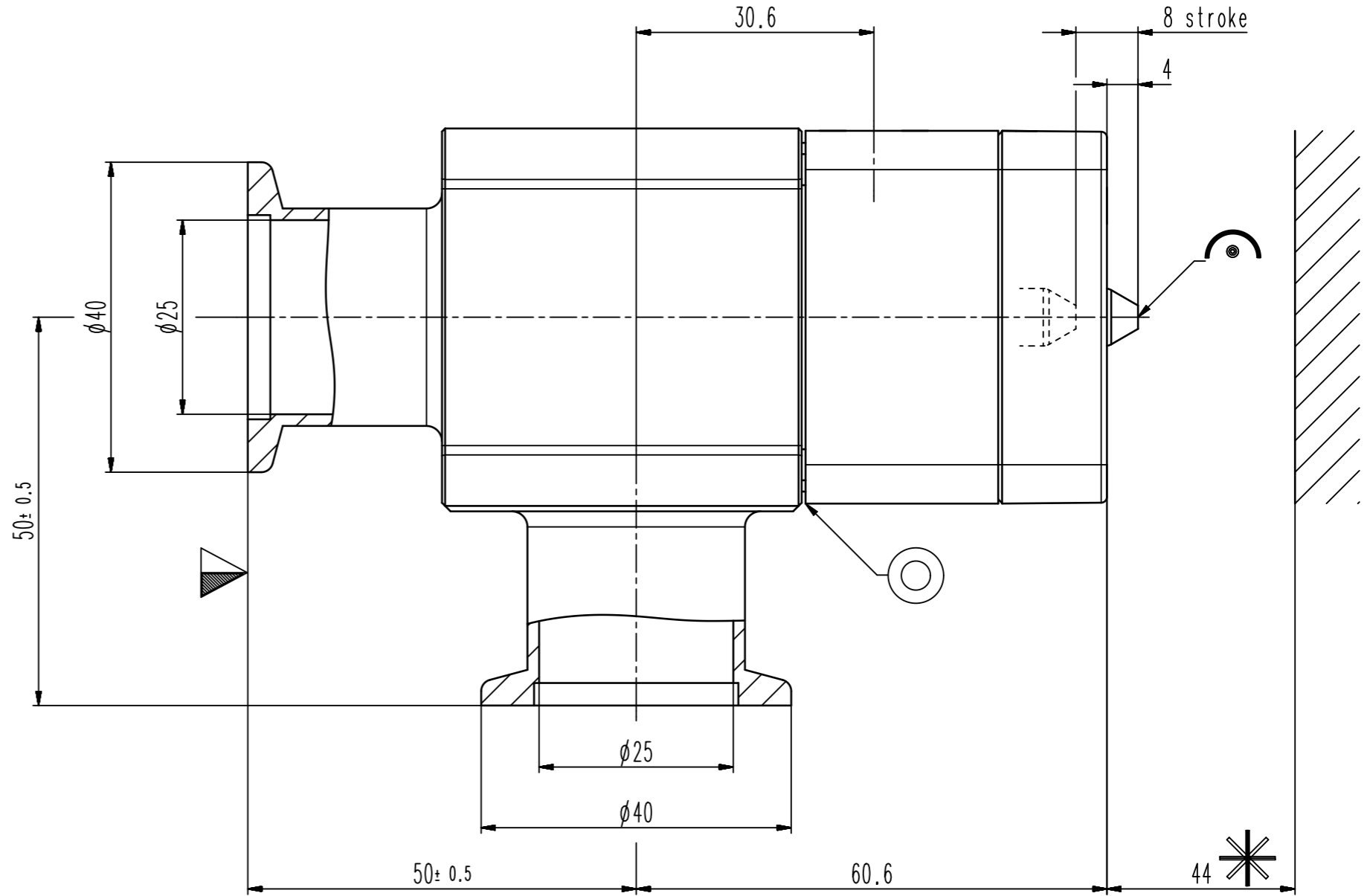
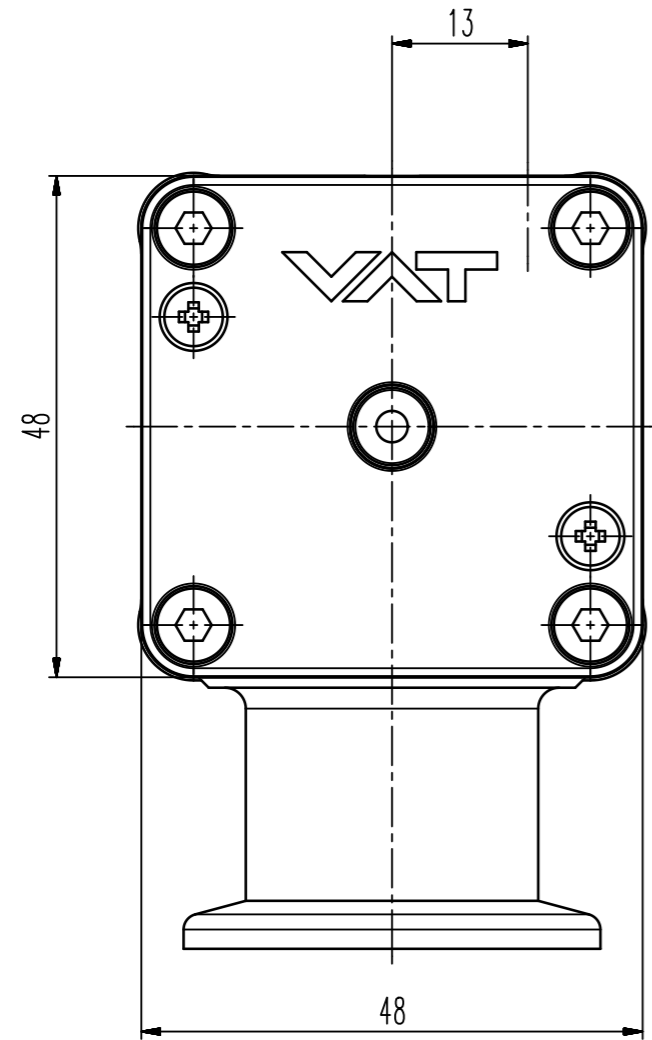


This drawing is the property of VAT.

Revision

Customer number



- ▼ Seat side
- Comp. air connection
- Electrical connection
- Leak detection port
- Mech. pos. indication
- Position indicator
- Required for dismantling
- Emergency actuation
- For attachment
- Bake-out area
- Differential pumping port

Vacuum angle valve



VAT Vakuumentile AG
 CH-9469 Haag, Switzerland
 Tel ++41 81 7716161 Fax ++41 81 7714830

Date: 06.06.03
 Name: DJP

Series	244	Ordering No.	24428-KA11-0001
Projection E	DN	Flange	ISO-KF
	25		
Dimensional Drawing	240255	Rev.	A