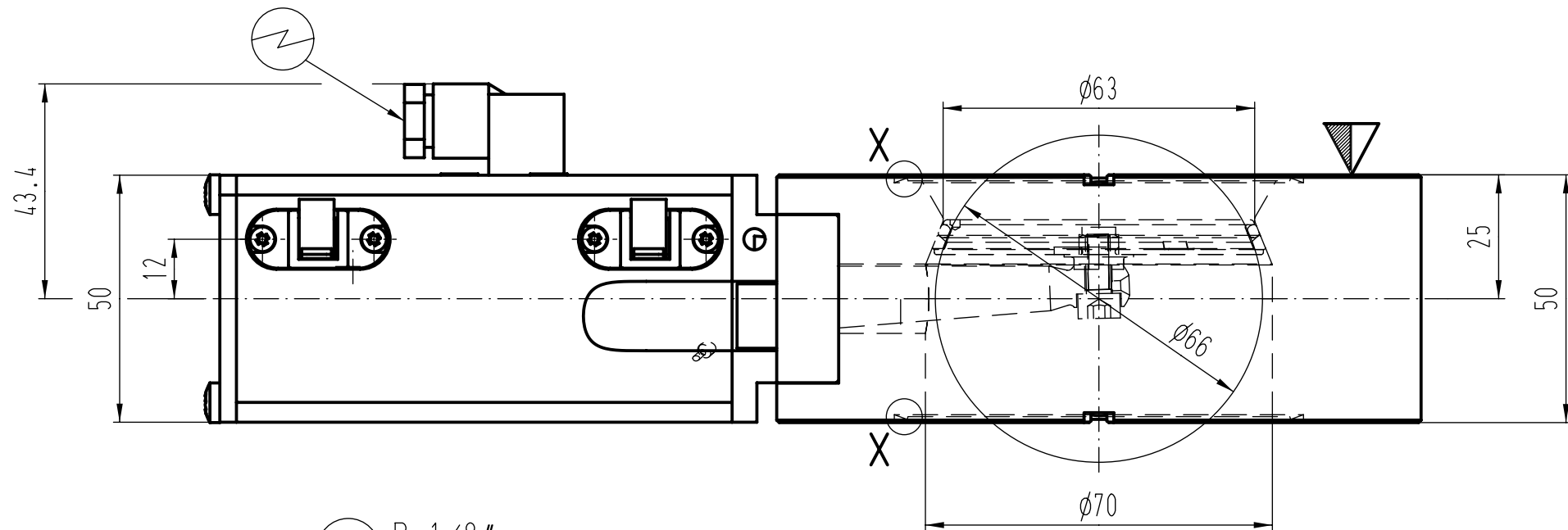
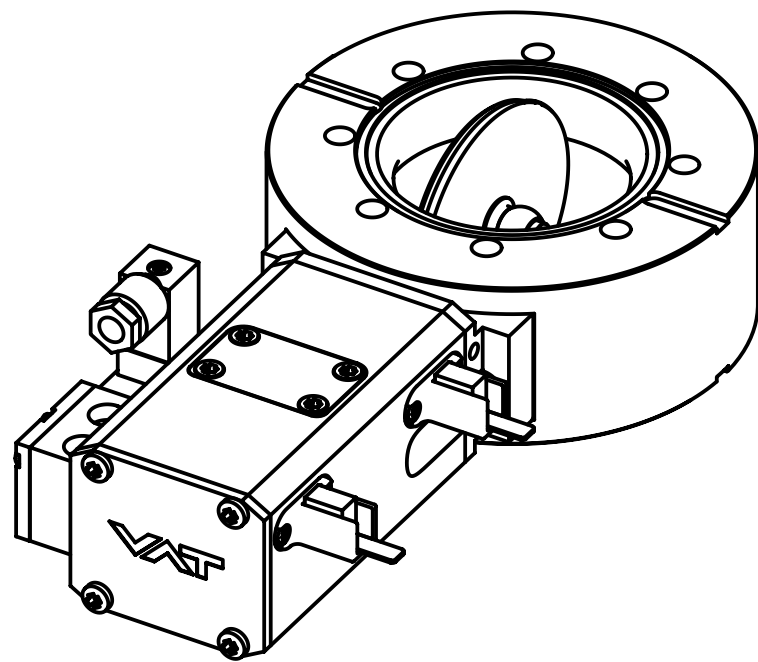
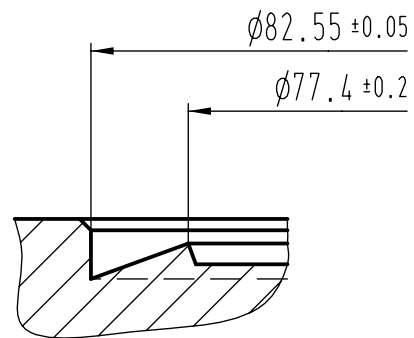


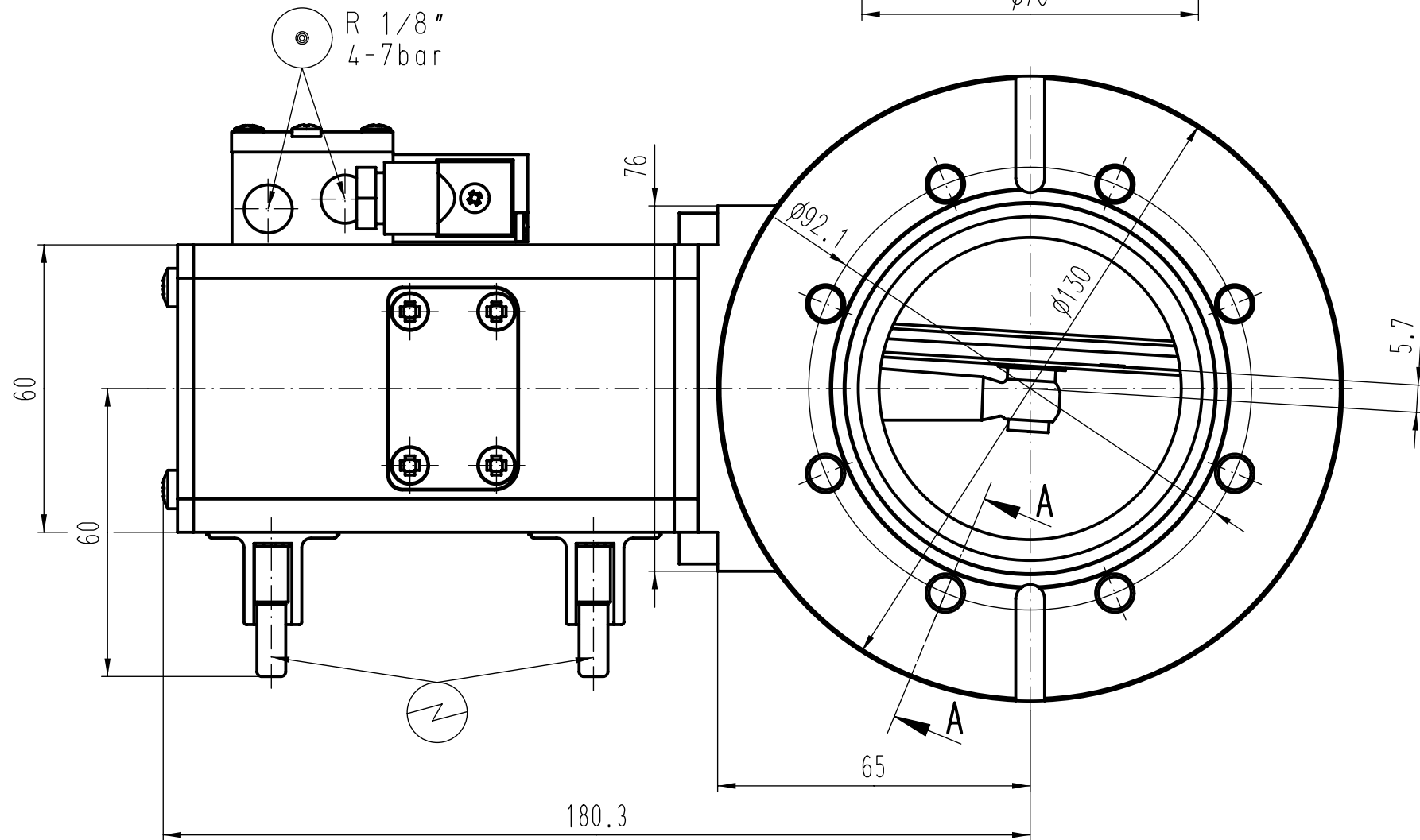
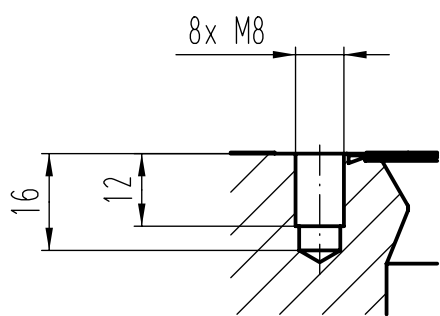
This drawing is the property of VAT.
Without the written consent of VAT, it must
not be copied or distributed to a third person



X (5:1)



A-A



Revision	Code	Date	Name

- ▼ Seat side
- ⊙ Comp. air connection
- ⊕ Electrical connection
- ⊙ Leak detection port
- ⊙ Mech. pos. indication
- ⊙ Position indicator
- * Required for dismantling
- ⊙ Emergency actuation
- For attachment
- Bake-out area
- ⊙ Differential pumping port

Vatterfly Valve
pneumatic actuator

VAT Vakuumentile AG
CH-9469 Haag, Switzerland
Tel ++41 81 7716161 Fax ++41 81 7714830

Date: 30.06.03
Name: VEA

Series	203	Ordering No.	20336-CE44
Projection E		DN	63
		Flange	CF-F
Dimensional Drawing	240706	Rev.	