



VAT Vakuumventile AG
CH-9469 Haag, Schweiz

Product data sheet

All-Metal Gate Valve, Series 48.2, DN 160 (ID 6")

OSL-Article No. 48244-CE44-0002

Description

Flange	DN 160 CF-F
Actuator	extended, pneumatic double acting, with solenoid, with position indicator
Feedthrough	bellows

Technical data

Leak rate	
- To the outside	$< 1 \cdot 10^{-10} \text{ mbar ls}^{-1}$
- Seat	$< 1 \cdot 10^{-10} \text{ mbar ls}^{-1}$
Molecular flow conductance	4200 ls^{-1}
Pressure range	XUHV to 2 bar (abs)
Test pressure	1 bar
Differential pressure on the gate	
- in closing and opening direction	2 bar
Max. differential pressure at opening	
- in closing and opening direction	500 mbar, 1 bar with reduced cycle life
Cycles until first service	20'000
Bake-out temperature	
- Valve	$\leq 300^{\circ}\text{C}$
- Actuator	$\leq 200^{\circ}\text{C}$ (for max. 100h)
- Solenoid	$\leq 80^{\circ}\text{C}$
- Position indicators	$\leq 80^{\circ}\text{C}$
Heating and cooling rate	$\leq 50^{\circ}\text{C h}^{-1}$
Material	
- Body	1.4435, AISI 316 L
- Flange	1.4435 ESU, AISI 316 L ESR
- Gate	1.4435, AISI 316 L
- Mechanism (in contact with media)	1.4435, AISI 316 L
- Bellows	1.4435, AISI 316 L
Seal	
- Bonnet	metal
- Gate	metal
- Actuator	Viton [®]
Mounting position	any

Created by: Kurt Sonderegger	Release date: 02.06.04	Page 1 of 3
Modified by: M.Greuter	Release date: 25. November 2011	250850EB



VAT Vakuumventile AG
CH-9469 Haag, Schweiz

Product data sheet

All-Metal Gate Valve, Series 48.2, DN 160 (ID 6")

OSL-Article No. 48244-CE44-0002

Solenoid

- Supply voltage according to P. O.
- Power required 2.5 W
- 1 x 3 pole plug

Position indicator

- 1 switch for «open» and 1 switch for «close»
- Contact rating ≤ 50 VAC/DC ; ≤ 1.2 A
- 1 x 7 pole plug

Radiation resistance

- Valve 10^8 Gy (10^{10} rad)
- Actuator 10^5 Gy (10^7 rad)
- Position indicator 10^5 Gy (10^7 rad)
- Solenoid 10^4 Gy (10^6 rad)

Compressed air pressure min. - max.

4 - 8 bar / 55 - 110 psig (overpressure)

Volume of air cylinder

4,3 l / 0,152 ft³

Compressed air connection

R 1/8" (USA: 1/8" NPT)

Action at power failure

- Valve closed no change
- Valve open valve closes

Action at compressed air failure

- Valve closed no change
- Valve open undefined

Closing time

8 s

Opening time

8 s

Weight

45 kg / 100 lbs

Dimensions

Dimensional drawing No. 208128

Created by: Kurt Sonderegger	Release date: 02.06.04	Page 2 of 3
Modified by: M.Greuter	Release date: 25. November 2011	250850EB



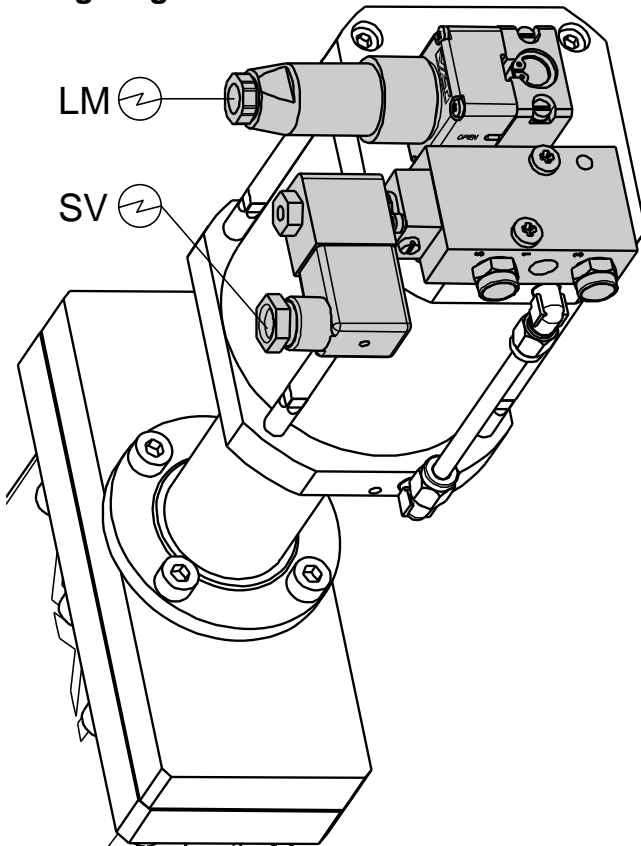
VAT Vakuumventile AG
CH-9469 Haag, Schweiz

Product data sheet

All-Metal Gate Valve, Series 48.2, DN 160 (ID 6")

OSL-Article No. 48244-CE44-0002

Wiring diagram



⊕ LM Electrical connection for position indicator

⊕ SV Electrical connection for solenoid

