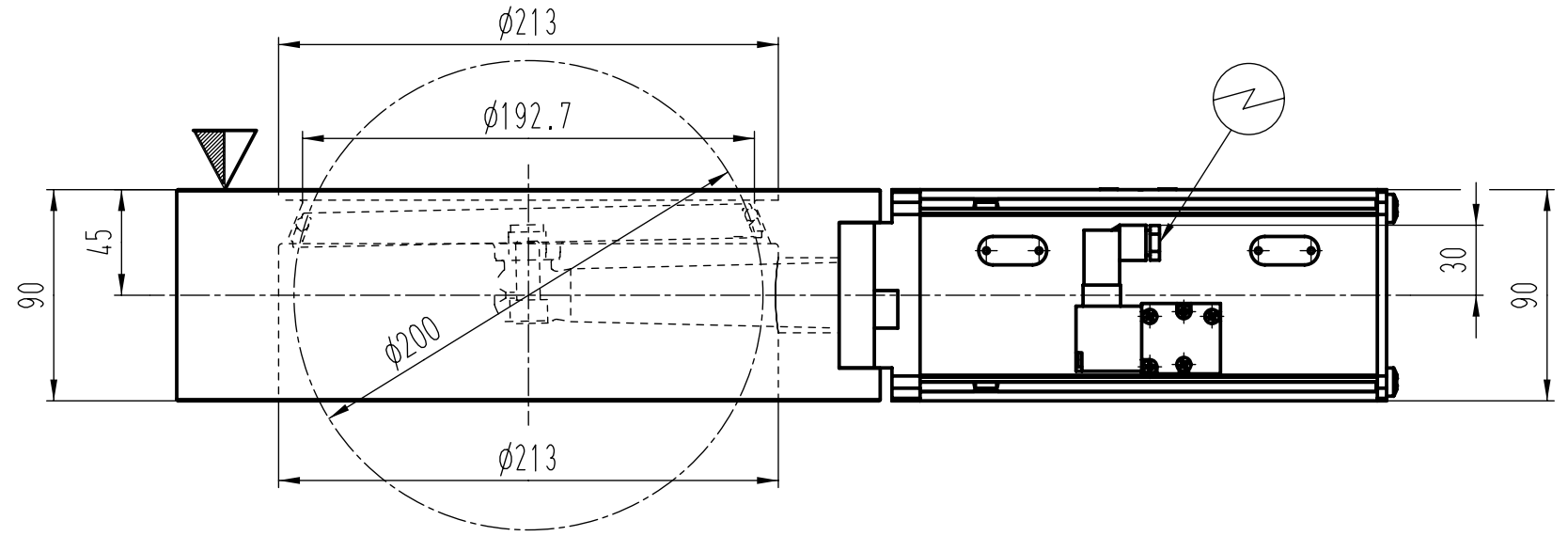
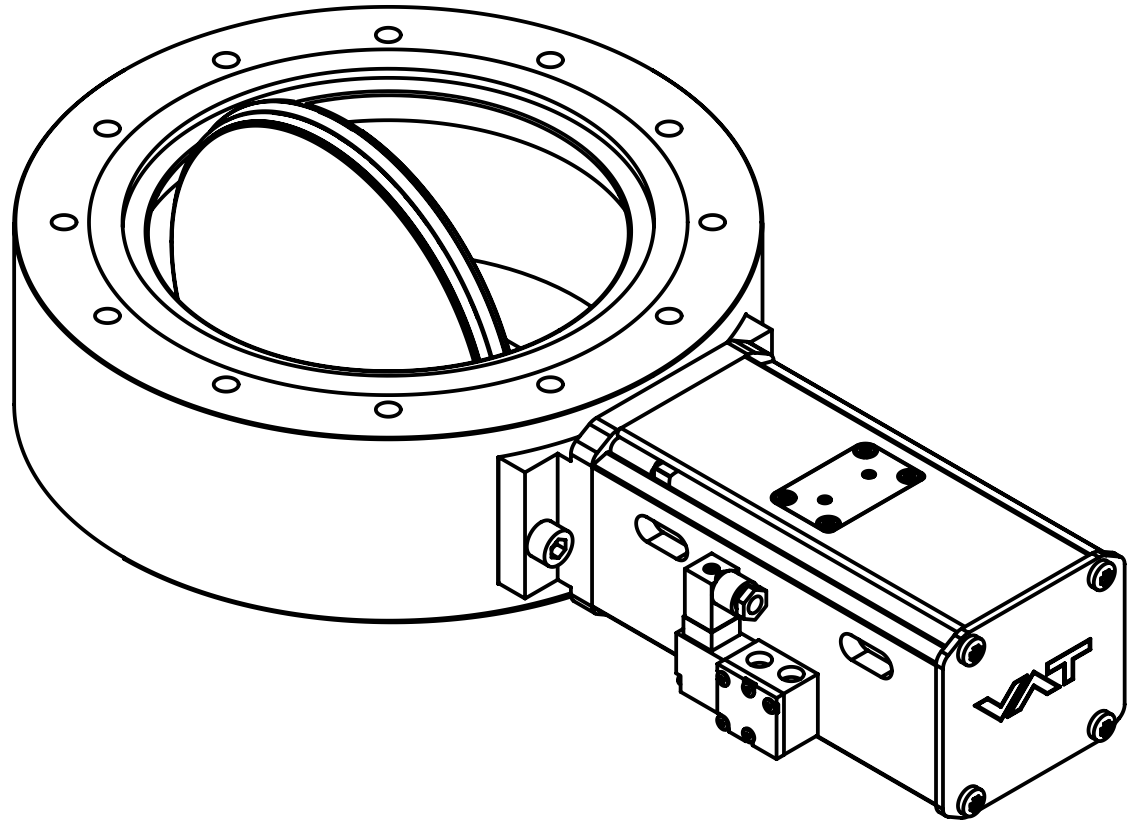
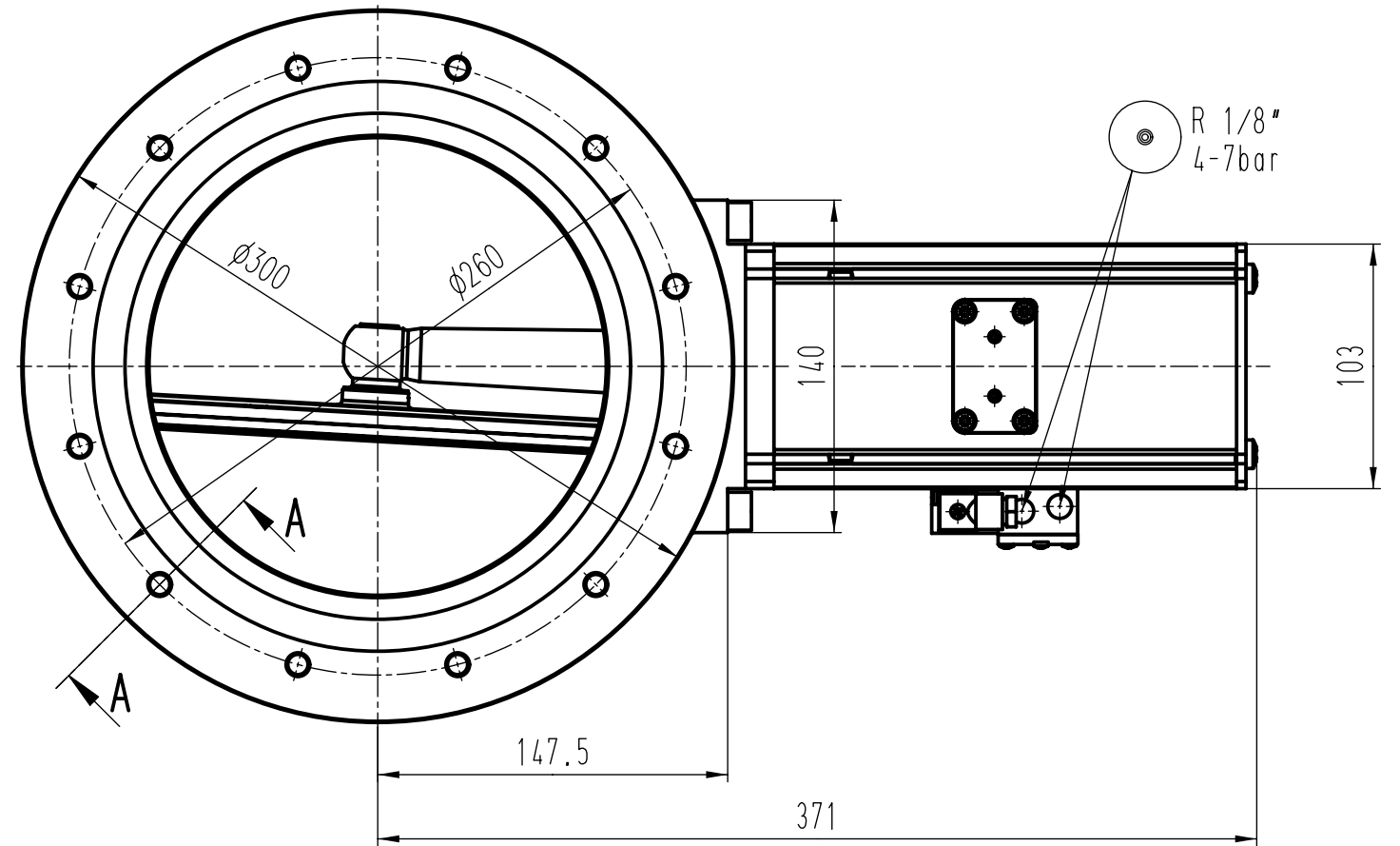
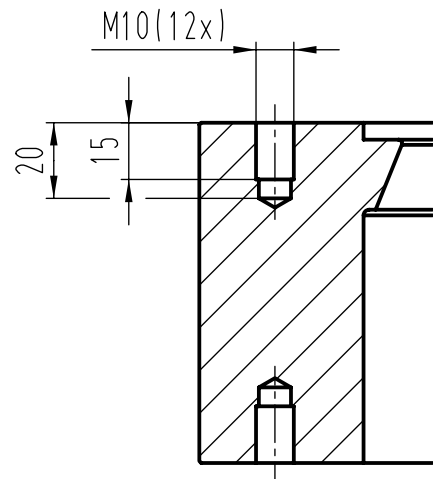


This drawing is the property of VAT.
Without the written consent of VAT, it must
not be copied or distributed to a third person



SECTION A-A:



Revision	Code	Date	Name

- ▼ Seat side
- ⊙ Comp. air connection
- ⊕ Electrical connection
- ⊗ Leak detection port
- ⊖ Mech. pos. indication
- ⊙ Position indicator
- * Required for dismantling
- ⊕ Emergency actuation
- For attachment
- Bake-out area
- ⊖ Differential pumping port

Vatterfly Valve
pneumatic actuator



VAT Vakuumventile AG
CH-9469 Haag, Switzerland
Tel ++41 81 7716161 Fax ++41 81 7714830

Date: 17.06.04
Name: BCH

Series	203	Ordering No.	20346-PA34-0001
Projection E	DN	Flange	ISO-F
	200		
Dimensional Drawing	251544		Rev.