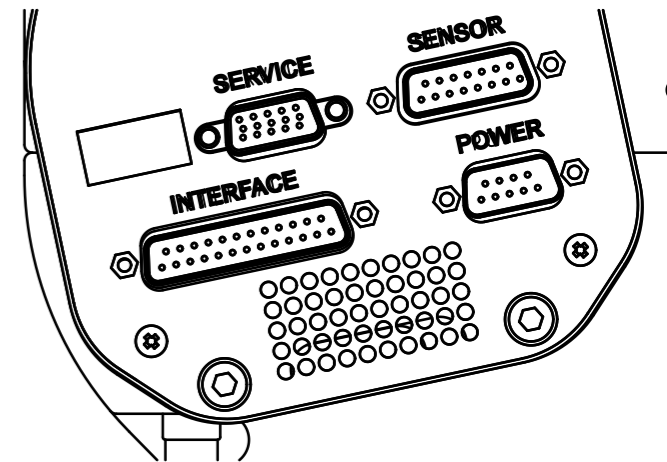
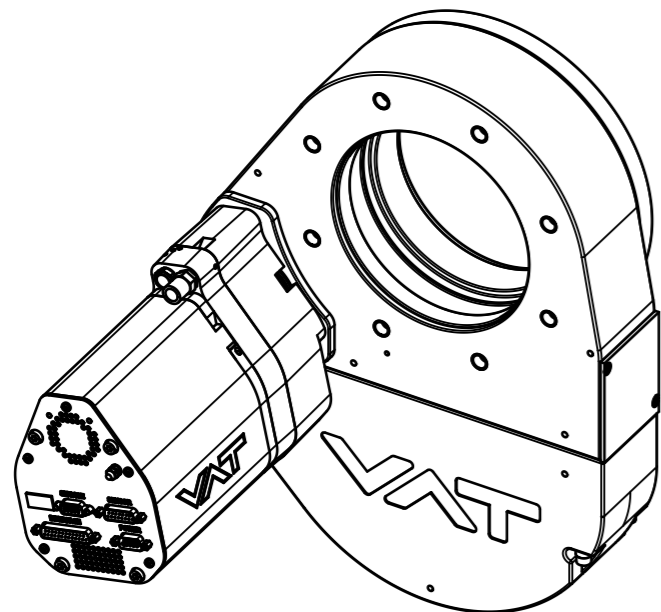
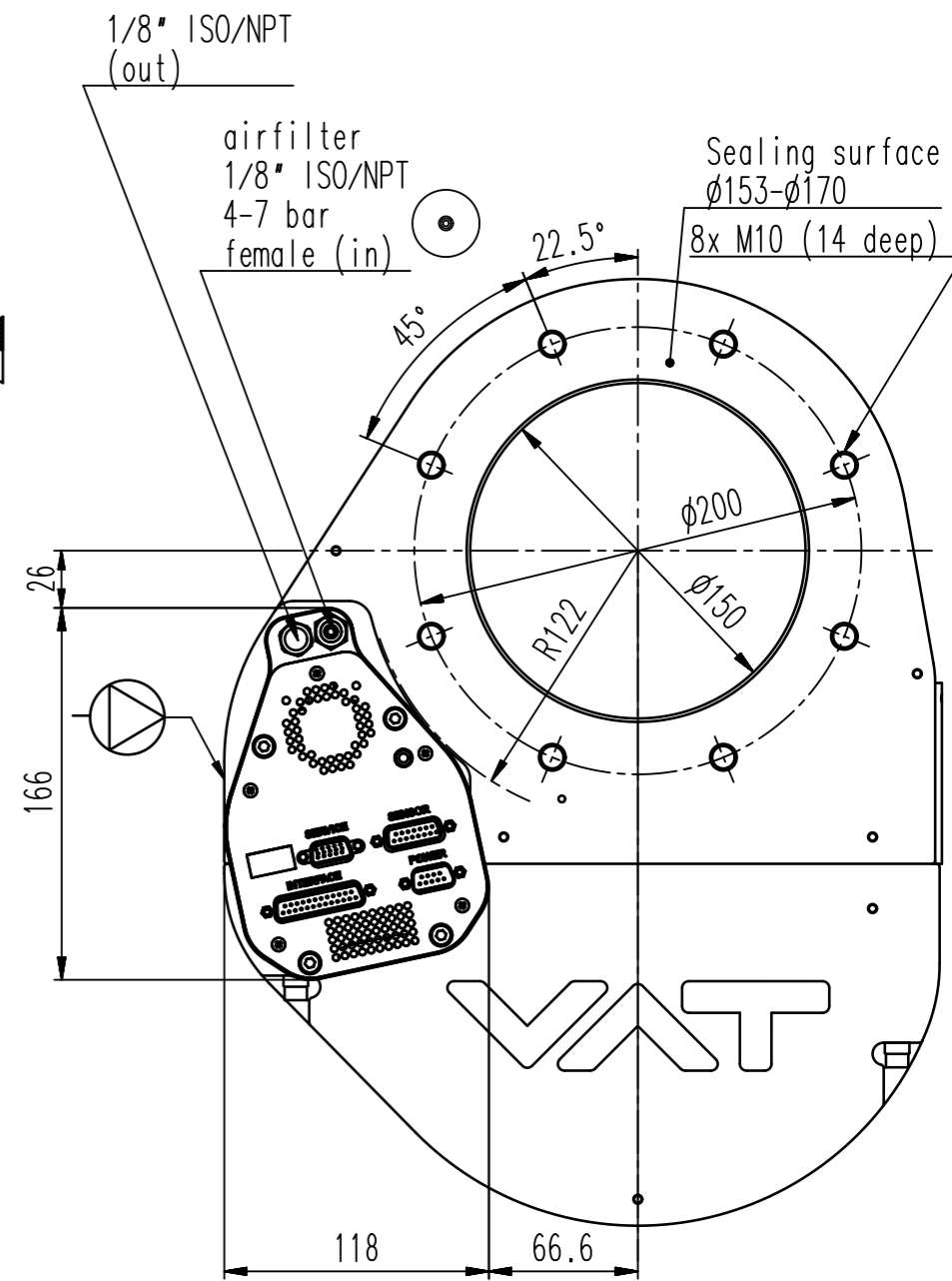
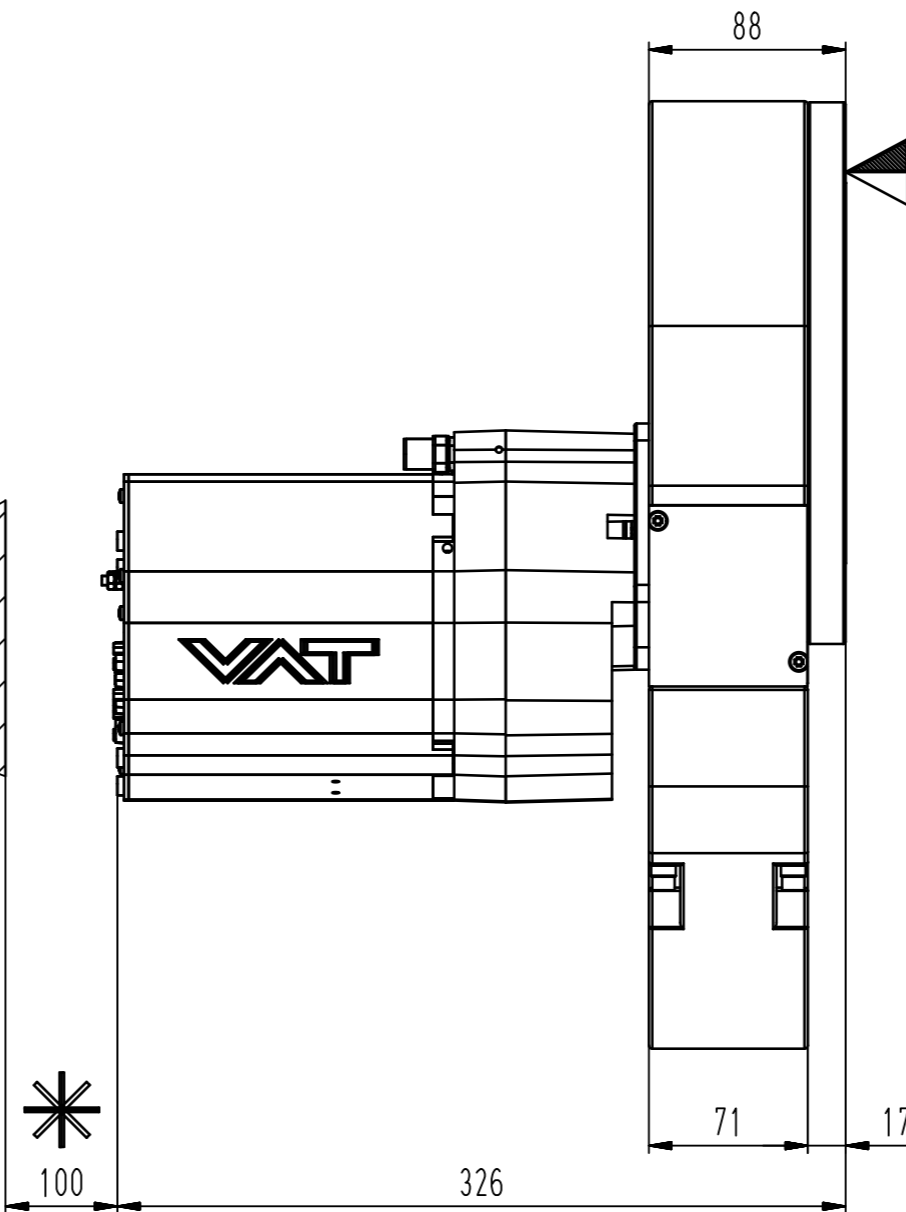
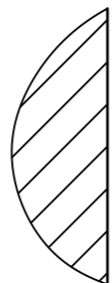
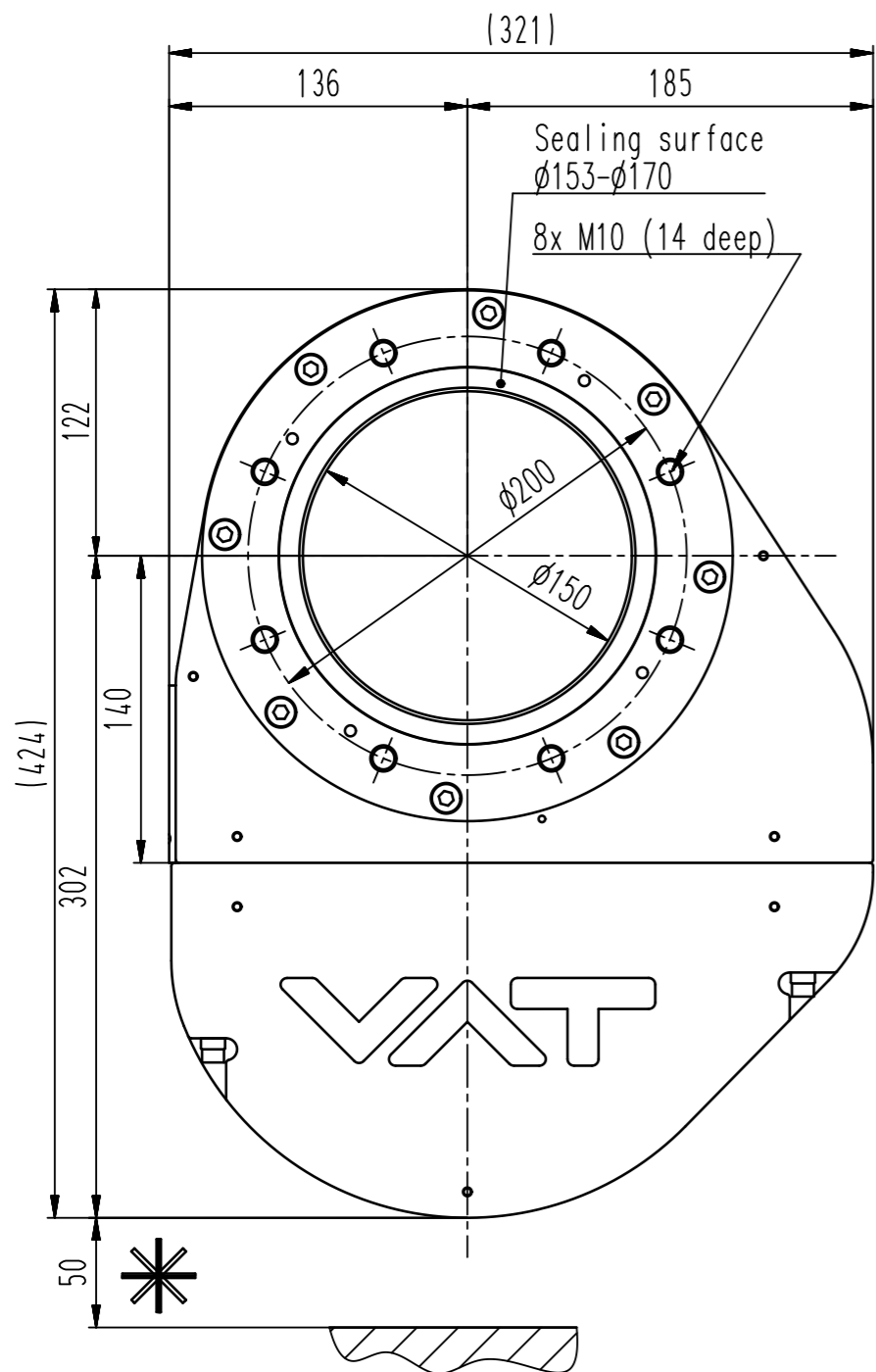


This drawing is the property of VAT.

Revision

Customer number



Connectors		
	Description	Type
POWER	Power input	DB-9 male
SENSOR	Sensor input Sensor power supply	DB-15 female
INTERFACE	RS 232 interface	DB-25 female

- ▼ Seat side
- ⊙ Comp. air connection
- ⊙ Electrical connection
- ⊙ Leak detection port
- ⊙ Mech. pos. indication
- ⊙ Position indicator
- ⊙ Required for dismantling
- ⊙ Emergency actuation
- ⊙ For attachment
- ⊙ Bake-out area
- ⊙ Differential pumping port

Control pendulum valve
UC-PFO / SPS / RS232 interface / 1 sensor



VAT Vakuumentile AG
CH-9469 Haag, Switzerland
Tel ++41 81 7716161 Fax ++41 81 7714830

Rev.-Date: 23.07.04
Visa: FCH

Series	650	Ordering No.	65044-PACG-0001
Projection E	DN	Flange	ISO-F
Dimensional Drawing	160		
		252845	Rev. A