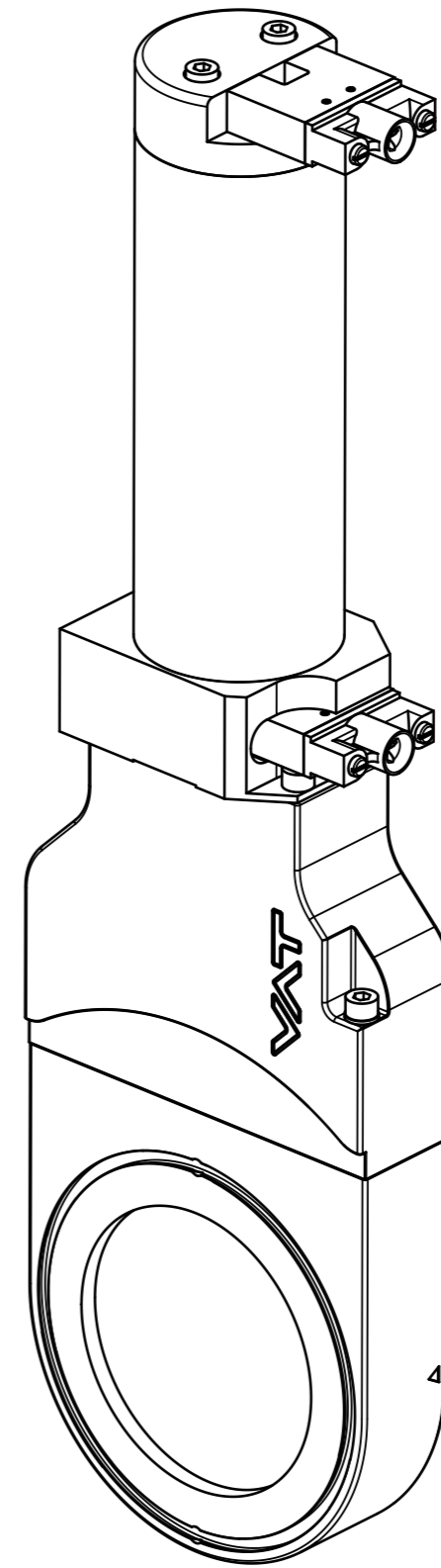
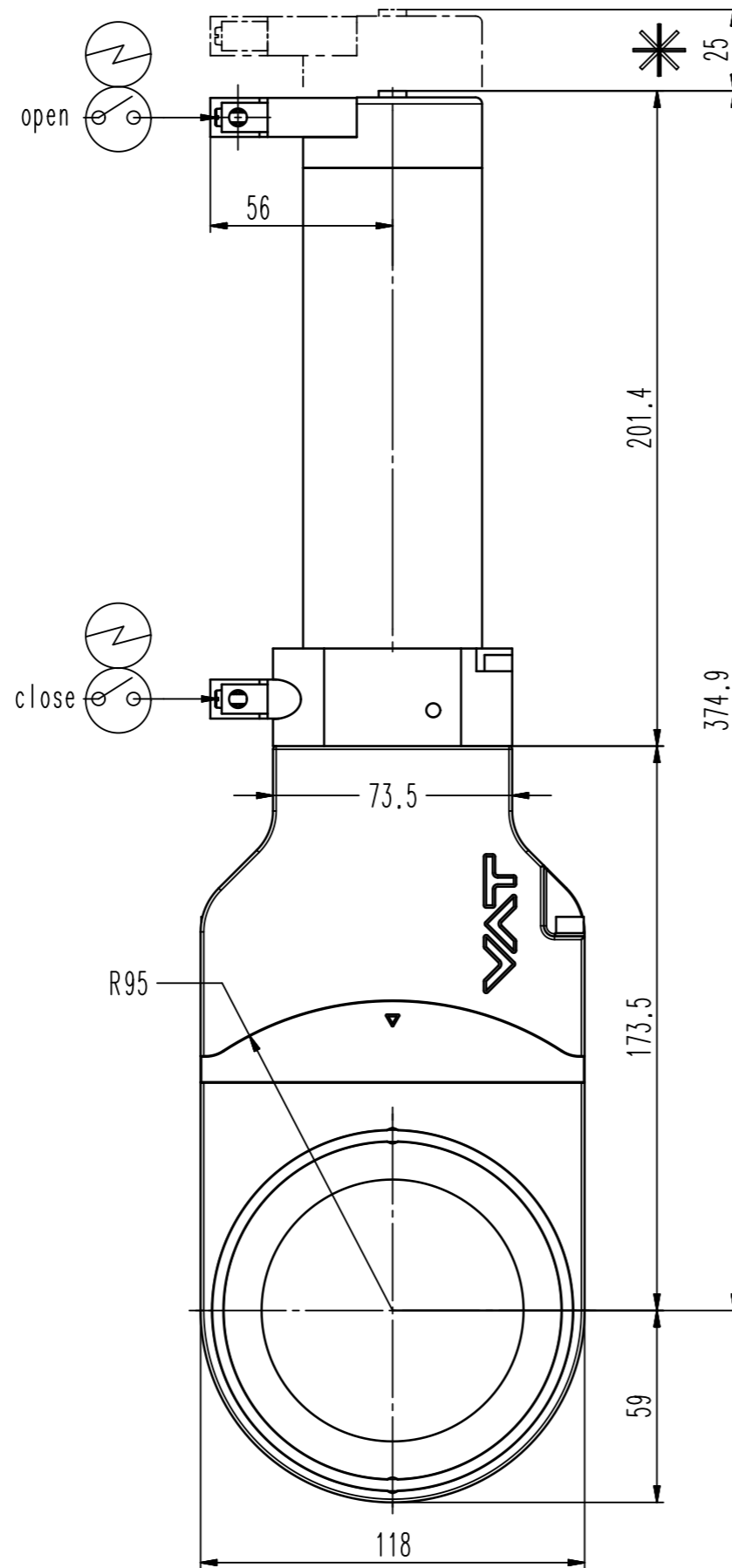
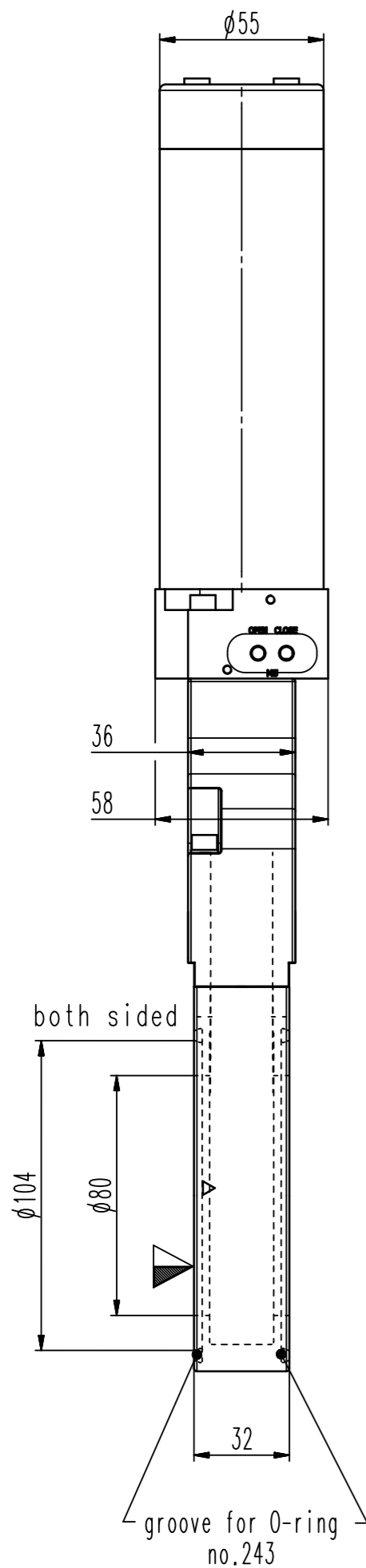


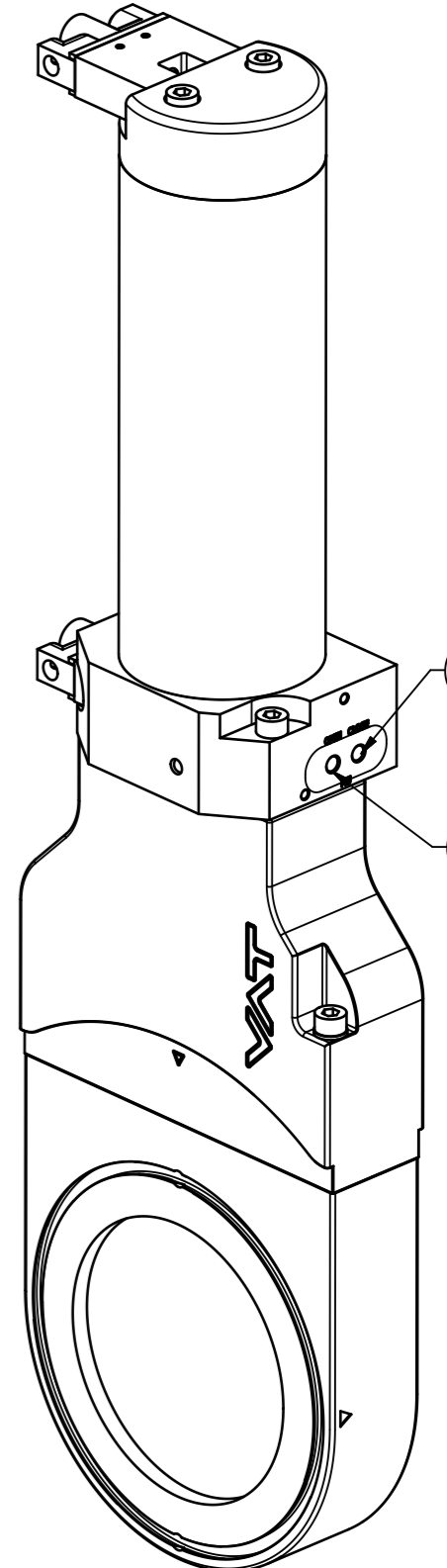
This drawing is the property of VAT.

Revision

Customer number



B-site



A-(seat)-site

- ▼ Seat side
- ⊙ Comp. air connection
- ⊙ Electrical connection
- ⊙ Leak detection port
- ⊙ Mech. pos. indication
- ⊙ Position indicator
- ⊙ Required for dismantling
- ⊙ Emergency actuation
- ⊙ For attachment
- ⊙ Bake-out area
- ⊙ Differential pumping port

Vacuum gate valve



VAT Vakuumentile AG
CH-9469 Haag, Switzerland
Tel ++41 81 7716161 Fax ++41 81 7714830

Date: 08.09.04
Name: DOC

Series	081	Ordering No.	08138-FA24-0001
Projection E	DN	Flange	
	80	DIN-Ans.	
Dimensional Drawing	254078	Rev.	