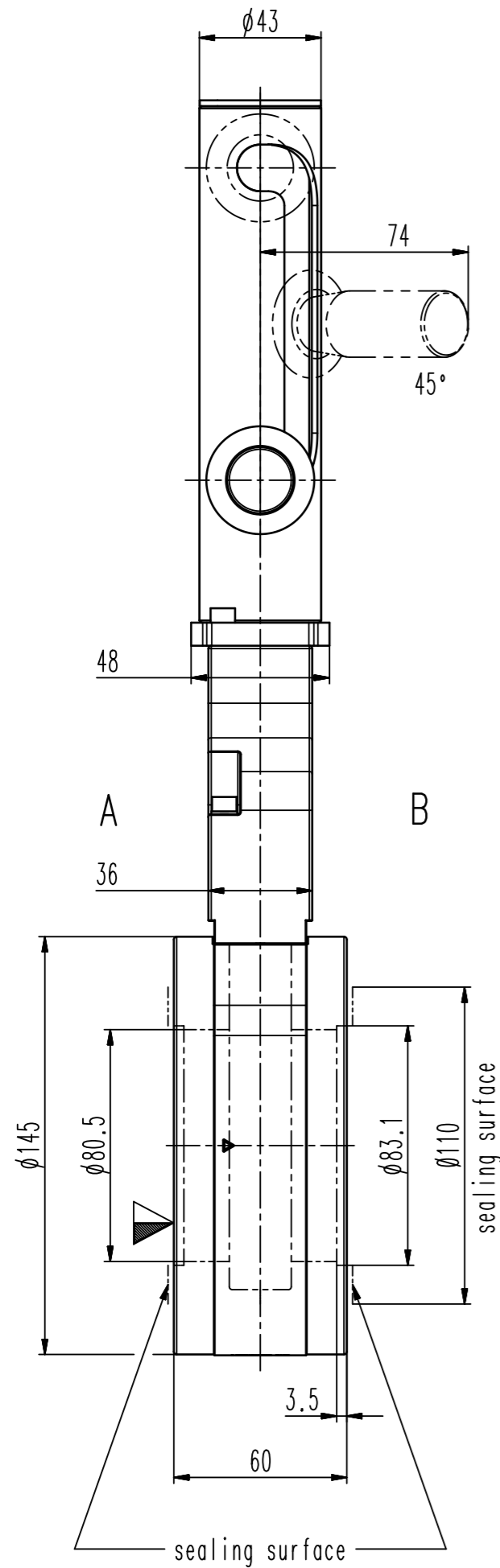


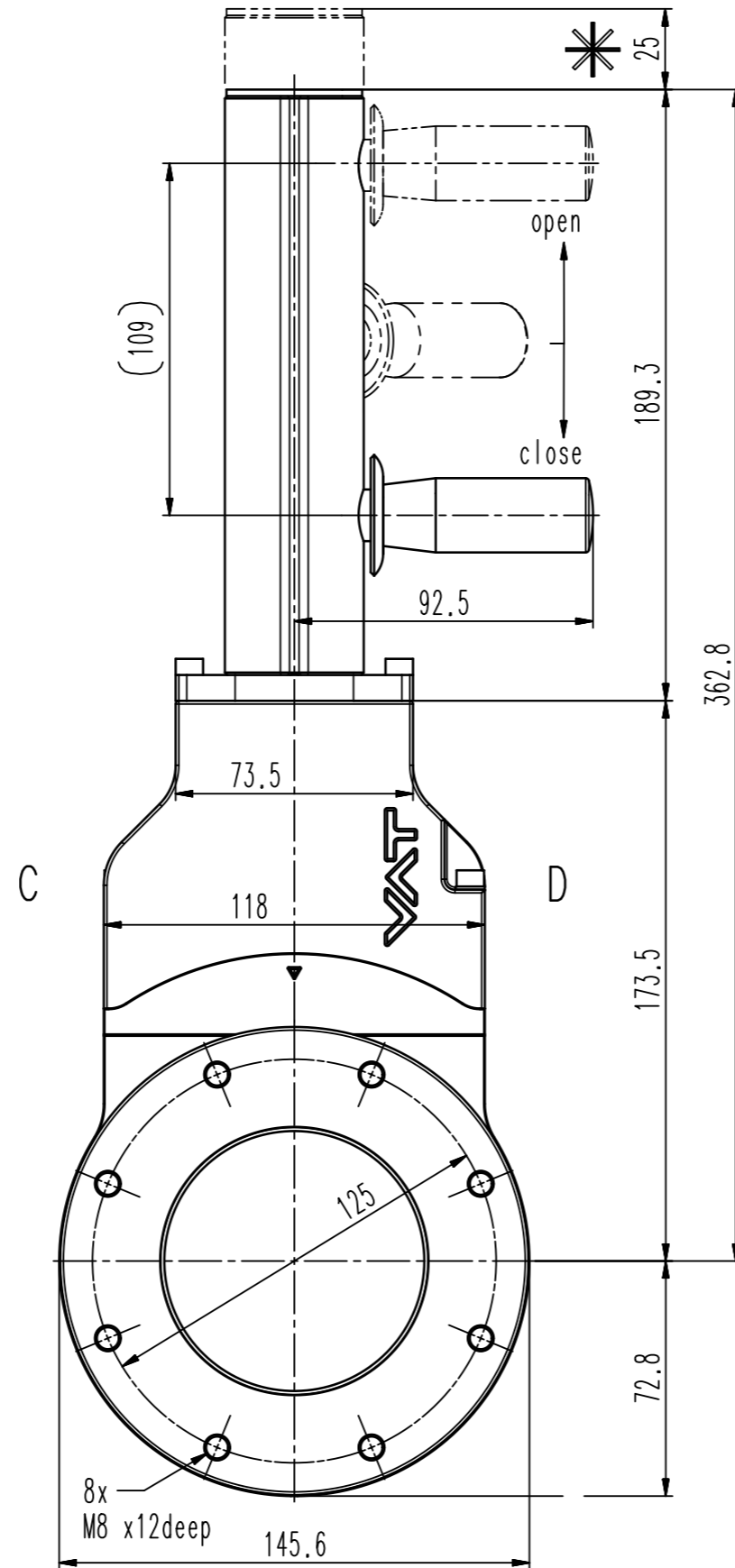
This drawing is the property of VAT.

Revision

Customer number



D-side



- ▼ Seat side
- ⊙ Comp. air connection
- ⊙ Electrical connection
- ⊙ Leak detection port
- ⊙ Mech. pos. indication
- ⊙ Position indicator
- ⊙ Required for dismantling
- ⊙ Emergency actuation
- ⊙ For attachment
- ⊙ Bake-out area
- ⊙ Differential pumping port

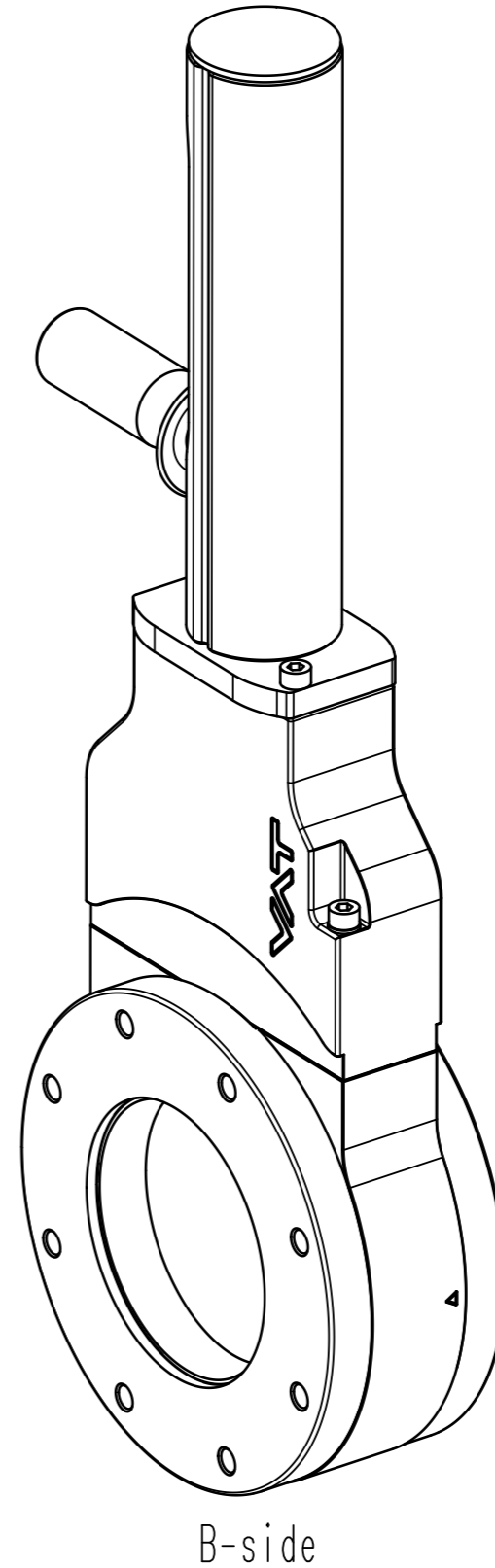
Vacuum gate valve



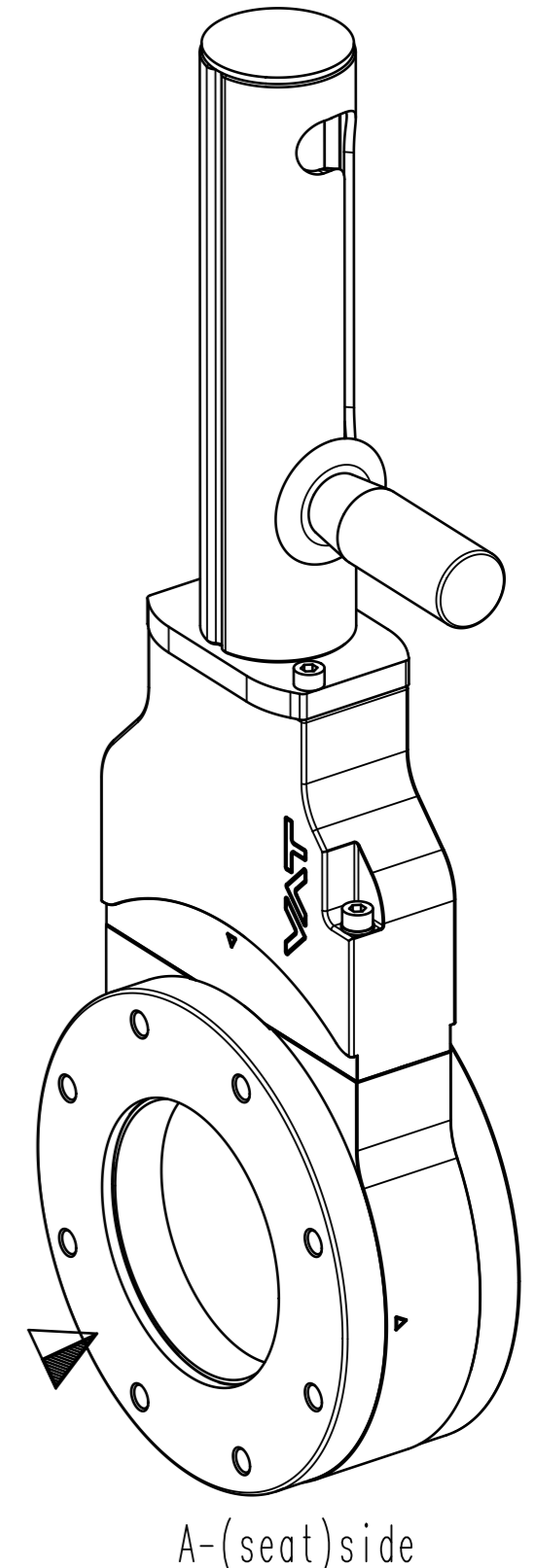
VAT Vakuumventile AG  
 CH-9469 Haag, Switzerland  
 Tel ++41 81 7716161 Fax ++41 81 7714830

Rev.-Date: 01.02.13  
 Visa: HUC

Series	121	Ordering No.	12138-PA03-0001
Projection E	DN	Flange	
	80	ISO-F	
Dimensional Drawing	256427	Rev.	B



B-side



A-(seat)side