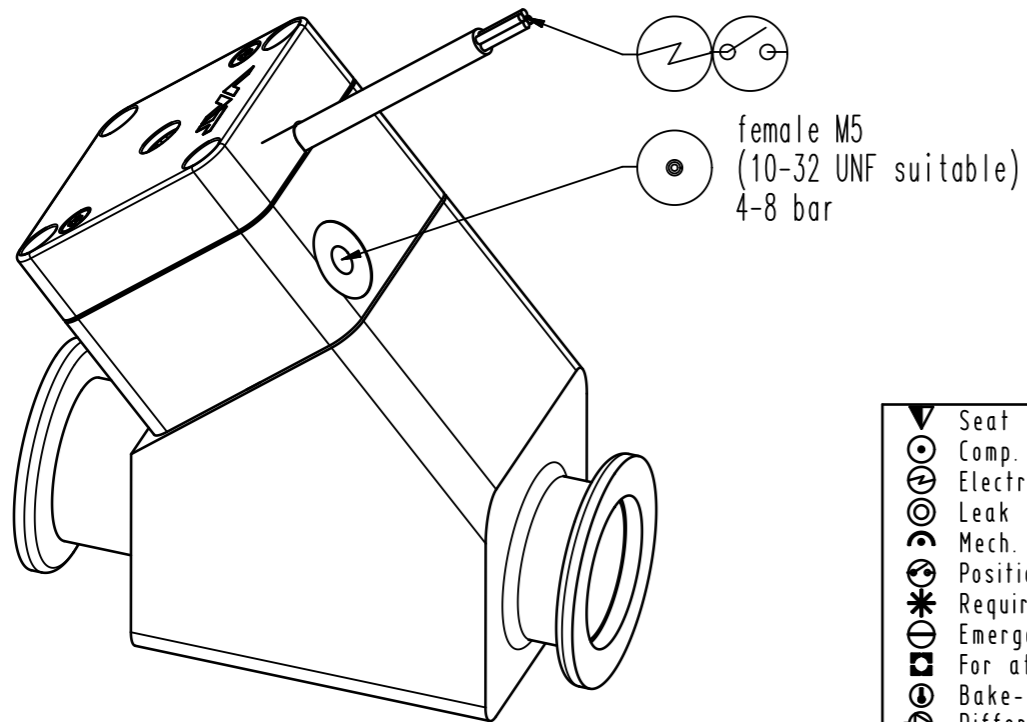
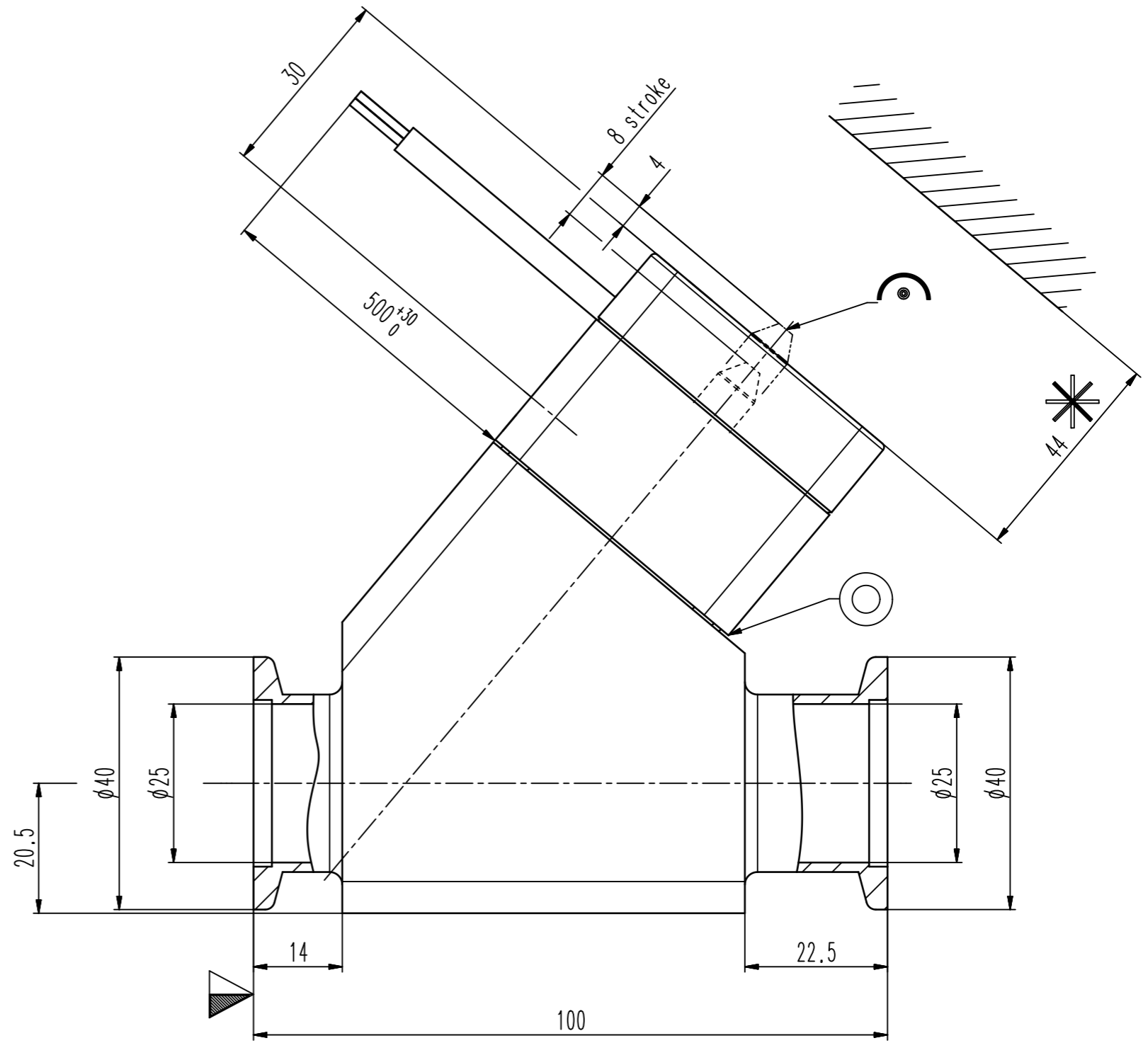
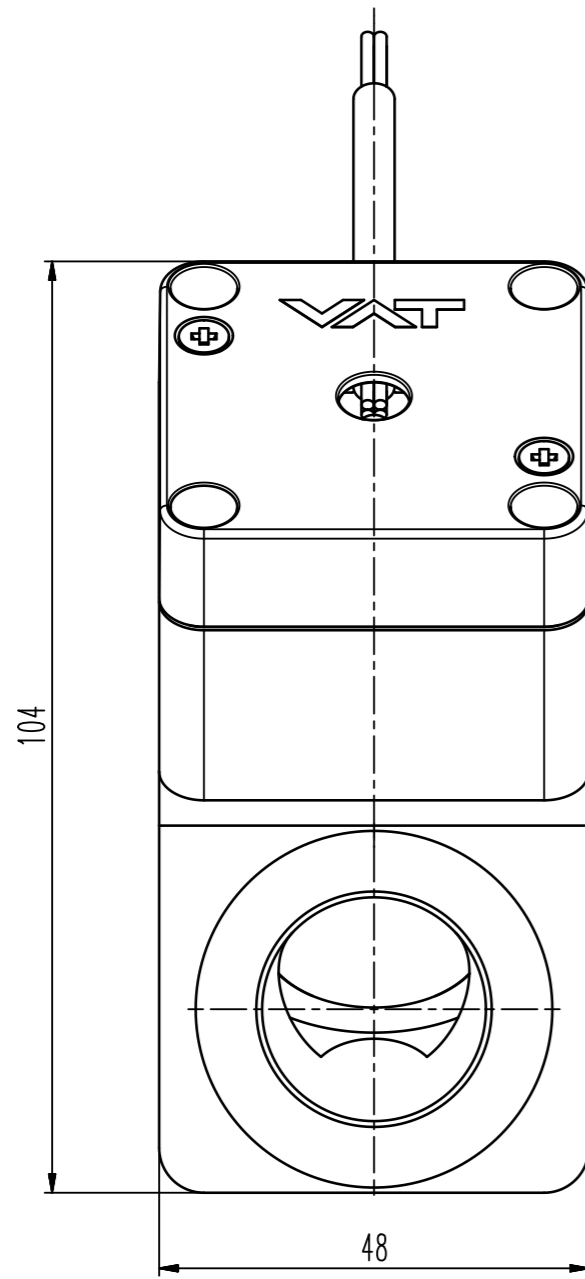


This drawing is the property of VAT.

Revision

Customer number



- ▼ Seat side
- ⊕ Comp. air connection
- ⊖ Electrical connection
- ⊙ Leak detection port
- ⊕ Mech. pos. indication
- ⊙ Position indicator
- ⊕ Required for dismantling
- ⊙ Emergency actuation
- ⊕ For attachment
- ⊙ Bake-out area
- ⊕ Differential pumping port

Vacuum inline valve



VAT Vakuumentile AG
 CH-9469 Haag, Switzerland
 Tel ++41 81 7716161 Fax ++41 81 7714830

Date: 18.11.04
 Name: VEA

Series	245	Ordering No.	24528-KA21-0001
Projection E	DN	Flange	
	25	ISO-KF	
Dimensional Drawing	256660	Rev.	B