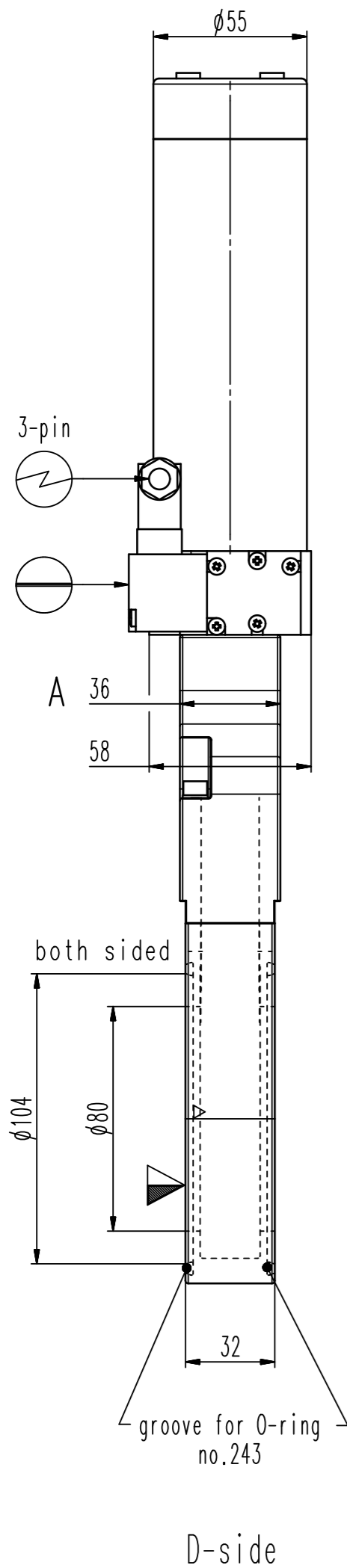


This drawing is the property of VAT.

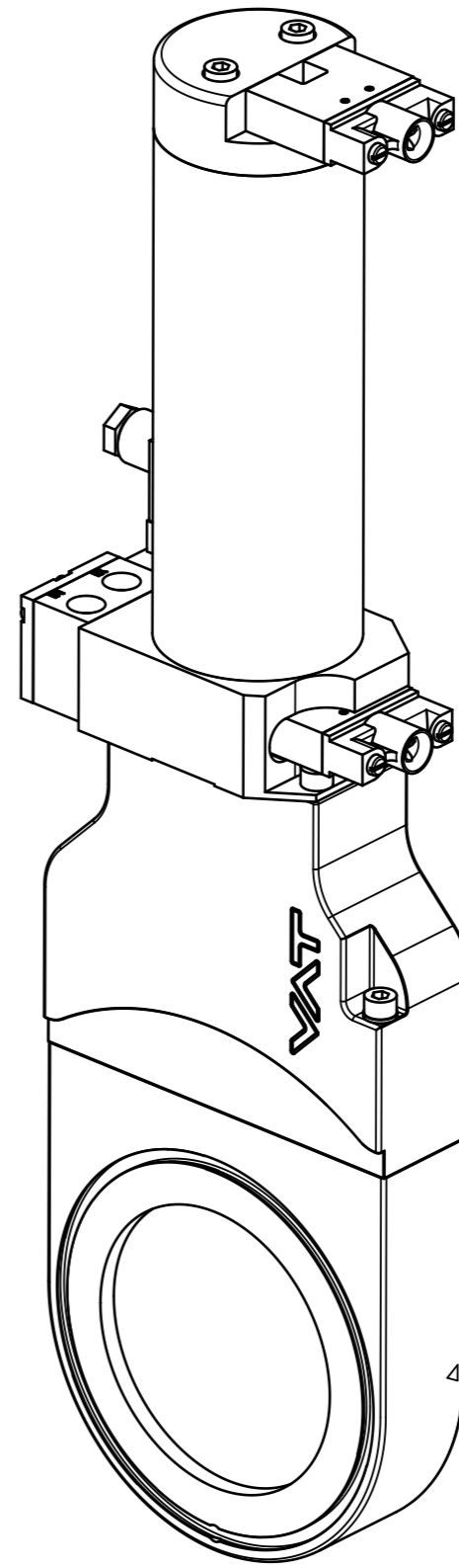
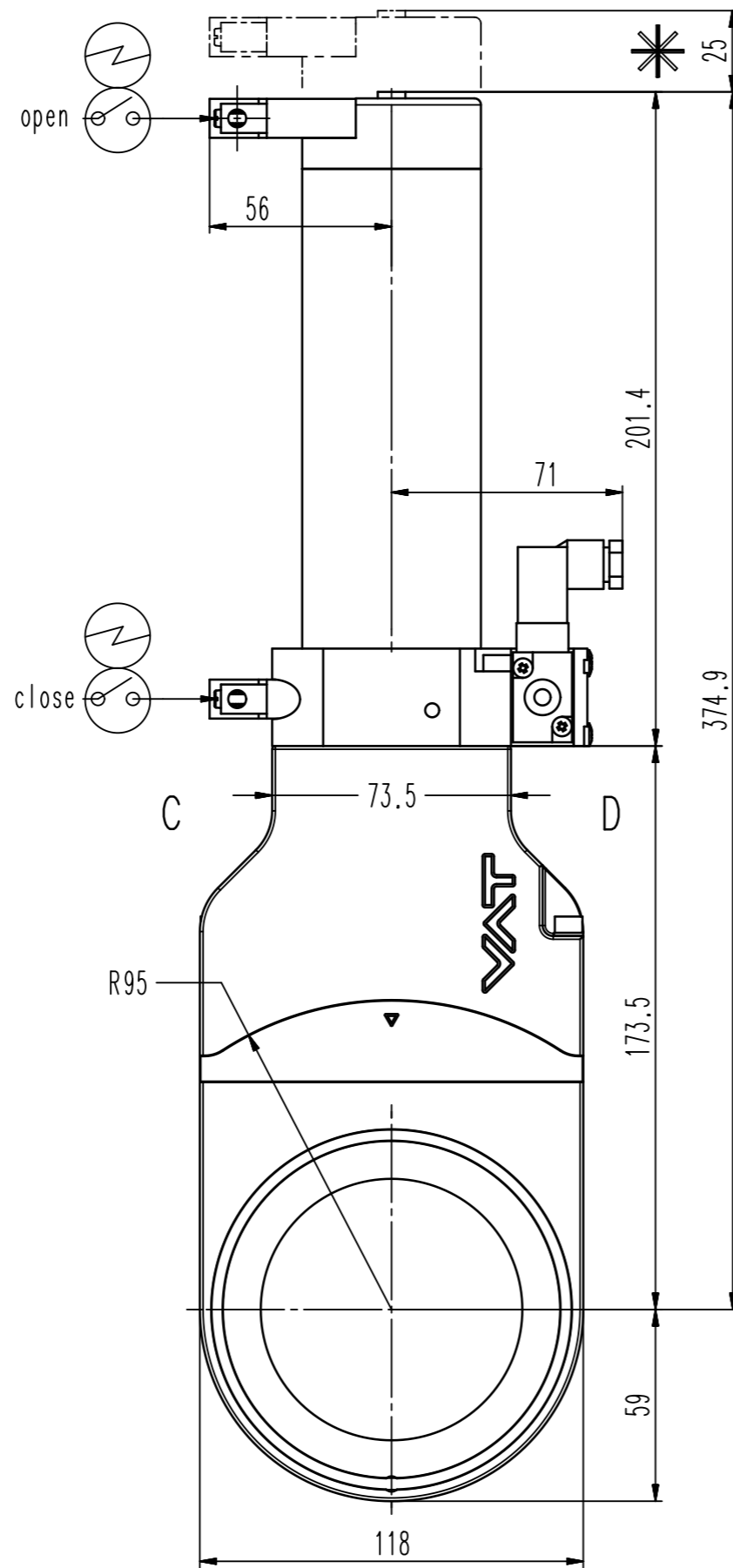
Revision

Customer number

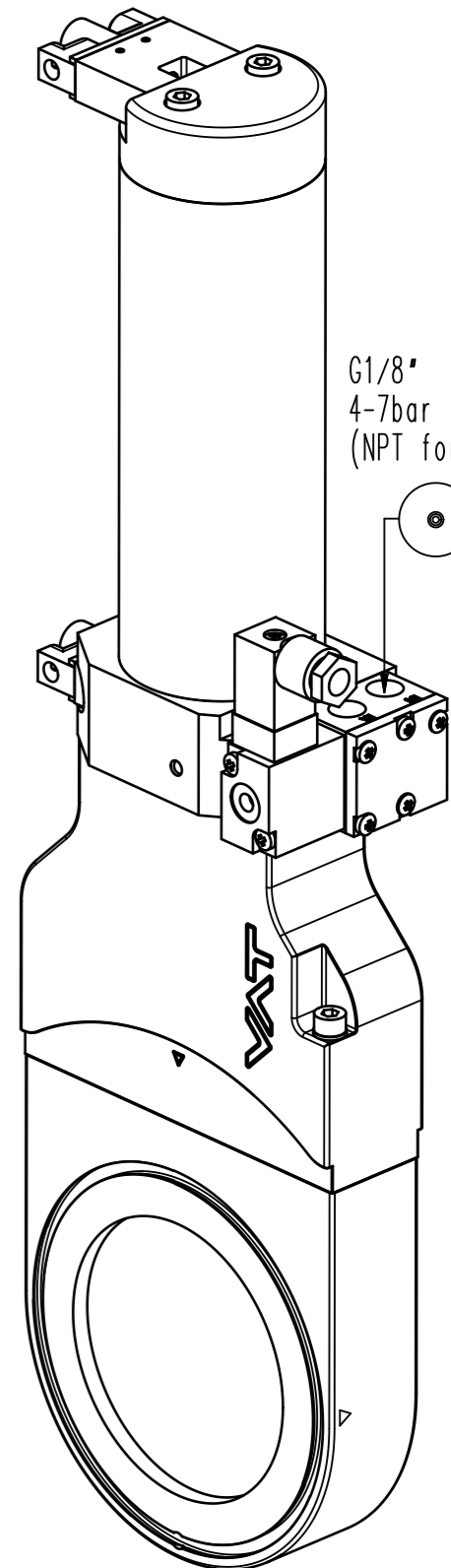


D-side

B



B-site



A-(seat)-site

- ▼ Seat side
- ⊕ Comp. air connection
- ⊖ Electrical connection
- ⊙ Leak detection port
- ⊚ Mech. pos. indication
- ⊛ Position indicator
- ⊜ Required for dismantling
- ⊝ Emergency actuation
- ⊞ For attachment
- ⊟ Bake-out area
- ⊠ Differential pumping port

Vacuum gate valve



VAT Vakuumentile AG
 CH-9469 Haag, Switzerland
 Tel ++41 81 7716161 Fax ++41 81 7714830

Date: 24.01.05
 Name: DOT

| | | | |
|---------------------|--------|--------------|-----------------|
| Series | 081 | Ordering No. | 08138-FA44-0001 |
| Projection E | DN | Flange | |
| | 80 | DIN-Ans. | |
| Dimensional Drawing | 258303 | Rev. | |