



VAT Vakuumventile AG  
CH-9469 Haag, Schweiz

## Product data sheet No. 258468EB

**Vacuum Inline Valve, Series 245, DN 50 (ID 2'')**

**Ordering No. 24534-KA21 or 24534-KE21**

### Description

Flanges	ISO-KF50
Actuator	- pneumatic, single acting with closing spring - without solenoid - with position indicator "open" and "closed"
Feedthrough	shaft feedthrough

### Technical data

Leak rate	- body & valve seat	$< 1 \cdot 10^{-9}$ mbar ls <sup>-1</sup>
Pressure range		$1 \cdot 10^{-7}$ mbar to 5 bar, abs
Differential pressure on the plate:		
- in opening direction		$\leq 2$ bar
- in closing direction		$\leq 5$ bar
Differential pressure at opening:		
- in opening direction		$\leq 1$ bar
- in closing direction		$\leq 1$ bar
		$\leq 3$ bar with reduced cycle lifetime (min. 450 000) (compressed air pressure > 5 bar required to open)
Closing time		$\leq 0,65$ sec.
Admissible temperature:		
- valve body, actuator		0°C - 120°C
- position indicator		0°C - 80°C (option 120°C)
Cycles until first service		3 million (T <sub>max</sub> 80°C, differential pressure max. 1 bar)
Material:		
- valve body	<b>24534-KA21</b>	<b>24534-KE21</b>
- pneumatic actuator	Aluminum (AlMgSi)	Stainless Steel (AISI 304)
- valve plate	Aluminum	Aluminum
- feedthrough	AISI 316L	AISI 316L
- bonnet & plate seal	Aluminum	1.4435 / 1.4301
- actuator o-rings	Viton	Viton
	Viton	Viton
Mounting position		any
Volume of air cylinder		0,047 l / 0,0017 ft <sup>3</sup>
Compressed air pressure for pneumatic		4 - 8 bar / 60 - 115 psi
Compressed air connection		M5 female (option others)
Position indicator: contact rating		
- Voltage		$\leq 50$ V AC / DC
- Current		$\leq 0.1$ A
- Power		$\leq 1$ W

Created by: C. Baur	Release date: 2005-03-30	Page 1 of 2
Modified by: M.Eggenberger	Release date: 2009-10-19	<b>258468EB</b>

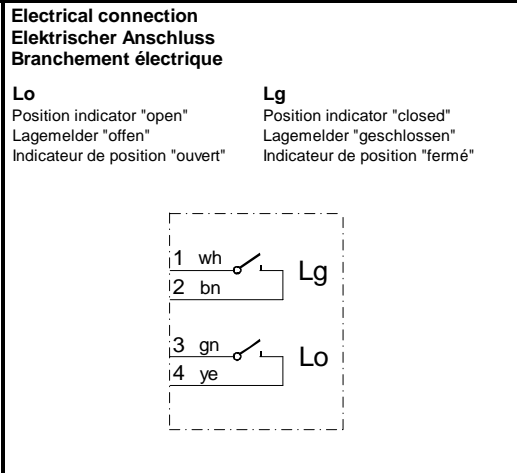


VAT Vakuumventile AG  
CH-9469 Haag, Schweiz

## Product data sheet No. 258468EB

Vacuum Inline Valve, Series 245, DN 50 (ID 2")

Ordering No. 24534-KA21 or 24534-KE21



Created by: C. Baur

Release date: 2005-03-30

Page 2 of 2

Modified by: M.Eggenberger

Release date: 2009-10-19

**258468EB**