



VAT Vakuumventile AG
CH-9469 Haag, Schweiz

Product data sheet

Vacuum angle valve, Series 244, DN 25 (ID 1 ")
Ordering No. 24428-KA42-0001

Description

Flange	ISO-KF 25
Actuator	Pneumatic, single acting with opening spring – with solenoid valve – with position indicator “open” and “closed”
Feedthrough	Shaft feedthrough

Technical data

Leak rate	– Valve body – Valve seat	$< 1 \cdot 10^{-9}$ mbar ls ⁻¹ $< 1 \cdot 10^{-9}$ mbar ls ⁻¹
Pressure range		$1 \cdot 10^{-7}$ mbar to 5 bar (abs)
Differential pressure on the plate	– In opening direction – In closing direction	≤ 2 bar ≤ 5 bar
Differential pressure at opening		≤ 1 bar ≤ 3 bar with reduced cycle lifetime (min. 450 000)
Conductance (molecular flow)		14 ls ⁻¹
Closing time		≤ 0.15 sec.
Cycles until first service (Tmax 80°C, differential pressure max. 1 bar)		3 million
Admissible Temperature	– Valve body – Actuator – Solenoid valve – Position indicator	≤ 120 °C ≤ 120 °C ≤ 80 °C ≤ 80 °C
Material	– Valve body – Actuator – Plate – Shaft feedthrough	Aluminum (EN AW-6060 T5) Aluminum AISI 316L (1.4435 ESU) Aluminum
Seal	– Bonnet O-ring – Plate O-ring – Actuator O-ring	FKM (Viton®) FKM (Viton®) FKM (Viton®)
Weight		0.6 kg / 1.32lbs
Mounting position		any
Volume of pneumatic actuator		0.011 l / 0.0004 ft ³
Compressed air min. – max. overpressure		4 – 8 bar / 60 – 115 psi
Compressed air connection		M5 female (10-32 UNF suitable)

Created by: C. Baur	Release date: 2008-05-29	1 of 2
Modified by: R. Walser	Release date: 2013-07-11	275287EC



VAT Vakuumventile AG
CH-9469 Haag, Schweiz

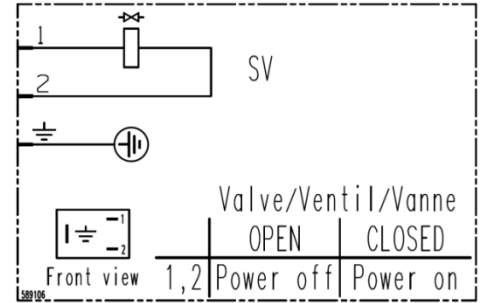
Product data sheet

Vacuum angle valve, Series 244, DN 25 (ID 1 ")
Ordering No. 24428-KA42-0001

Electrical connections

Solenoid valve

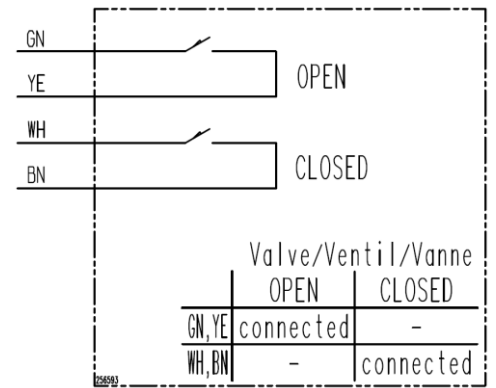
Type	3/2-way
Voltage	See solenoid
Power	See solenoid
Connector	Rectangle plug, Type B (DIN standard)
Cable	Ø6 – 8 mm



Wiring diagram

Position indicator

Type	Micro switch
Voltage	≤ 50 V AC / DC
Current	5 – 100 mA
Short circuit protected	No
Connection	Cable, 4 wires
Cable length	500 mm
Cable cross section	0.25 mm ²



Wiring diagram