



VAT Vakuumventile AG  
CH-9469 Haag, Schweiz

## Product data sheet

**Mini UHV gate valve, Series 010, DN 40 (ID 1½")**  
**Ordering No. 01032-KE34**

### Description

|             |   |
|-------------|---|
| Flange      | ISO-KF 40   |
| Actuator    | pneumatic, double acting<br>– with solenoid valve |
| Feedthrough | Bellows   |

### Technical data

|  |  |  |
|--|--|--|
| Leak rate  | – Valve body<br>– Valve seat                   | $< 5 \cdot 10^{-10}$ mbar ls <sup>-1</sup><br>$< 1 \cdot 10^{-9}$ mbar ls <sup>-1</sup>        |
| Pressure range   |  | $1 \cdot 10^{-10}$ mbar to 2 bar (abs)   |
| Differential pressure on the gate  |  | $\leq 2$ bar   |
| Differential pressure at opening   |  | $\leq 30$ mbar   |
| Conductance (molecular flow)   |  | 160 ls <sup>-1</sup>   |
| Cycles until first service   |  | 50 000   |
| Temperature<br>(Maximum values: depending on operating conditions and sealing materials) | – Valve Body<br>– Actuator<br>– Solenoid valve | $\leq 250$ °C open / $\leq 200$ °C closed (bake-out max. 24h)<br>$\leq 200$ °C<br>$\leq 50$ °C |
| Heating and cooling rate   |  | $\leq 50$ °C h <sup>-1</sup>   |
| Material   | – Valve Body<br>– Gate<br>– Bellows            | AISI 304 (1.4301), AISI 316L (1.4435)<br>AISI 304 (1.4301)<br>AISI 316L (1.4404, 1.4435)       |
| Seal   | – Bonnet<br>– Gate<br>– Actuator               | metal<br>FKM (Viton®), vulcanized<br>FKM (Viton®)  |
| Mounting position  |  | any  |
| Volume of pneumatic actuator   |  | 0.06 l / 0.002 ft <sup>3</sup>   |
| Compressed air<br>min. – max. overpressure   |  | 5 – 7 bar / 73 – 102 psi   |
| Compressed air connection  |  | G ½" (½" NPT for USA)  |
| Actuation time   | – closing<br>– opening                         | 0.7 s<br>0.7 s   |
| Weight   |  | 2.2 kg / 4.85 lbs  |

|                 |                          |                 |
|-----------------|--------------------------|-----------------|
| Created by: SON | Release date: 2012-12-06 | 1 of 2          |
| Modified by:    | Release date:            | <b>298559EA</b> |



VAT Vakuumventile AG  
CH-9469 Haag, Schweiz

## Product data sheet

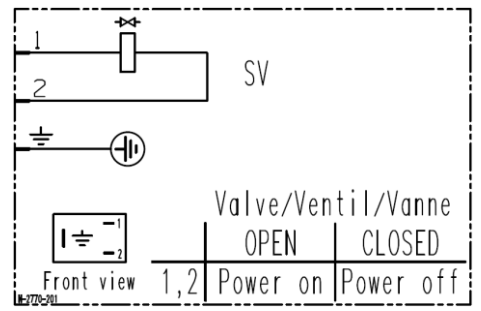
**Mini UHV gate valve, Series 010, DN 40 (ID 1½")**  
**Ordering No. 01032-KE34**

|  |                                |                                      |
|--|--------------------------------|--------------------------------------|
| Behavior in case of compressed air pressure drop | – Valve closed<br>– Valve open | valve remains closed<br>undefined    |
| Behavior in case of power failure                | – Valve closed<br>– Valve open | valve remains closed<br>valve closes |

### Electrical connections

#### Solenoid valve

|         |                  |
|---------|------------------|
| Type    | 4/2-way          |
| Voltage | Defined by order |



Wiring diagram

|                 |                          |                 |
|-----------------|--------------------------|-----------------|
| Created by: SON | Release date: 2012-12-06 | 2 of 2          |
| Modified by:    | Release date:            | <b>298559EA</b> |