



VAT Vakuumventile AG  
CH-9469 Haag, Schweiz

## Product data sheet

**Mini UHV gate valve, Series 010, DN 40 (ID 1½")**  
**Ordering No. 01032-UE34**

### Description

Flange	CF-F 40 UNF
Actuator	pneumatic, double acting – with solenoid valve
Feedthrough	Bellows

### Technical data

Leak rate	– Valve body – Valve seat	$< 5 \cdot 10^{-10}$ mbar ls <sup>-1</sup> $< 1 \cdot 10^{-9}$ mbar ls <sup>-1</sup>
Pressure range		$1 \cdot 10^{-10}$ mbar to 2 bar (abs)
Differential pressure on the gate		$\leq 2$ bar
Differential pressure at opening		$\leq 30$ mbar
Conductance (molecular flow)		220 ls <sup>-1</sup>
Cycles until first service		50 000
Temperature (Maximum values: depending on operating conditions and sealing materials)	– Valve Body – Actuator – Solenoid valve	$\leq 250$ °C open / $\leq 200$ °C closed (bake-out max. 24h) $\leq 200$ °C $\leq 50$ °C
Heating and cooling rate		$\leq 50$ °C h <sup>-1</sup>
Material	– Valve Body – Gate – Bellows	AISI 304 (1.4301), AISI 316L (1.4435) AISI 304 (1.4301) AISI 316L (1.4404, 1.4435)
Seal	– Bonnet – Gate – Actuator	metal FKM (Viton®), vulcanized FKM (Viton®)
Mounting position		any
Volume of pneumatic actuator		0.06 l / 0.002 ft <sup>3</sup>
Compressed air min. – max. overpressure		5 – 7 bar / 73 – 102 psi
Compressed air connection		G ½" (½" NPT for USA)
Actuation time	– closing – opening	0.7 s 0.7 s
Weight		2.2 kg / 4.85 lbs

Created by: SON	Release date: 2012-12-06	1 of 2
Modified by:	Release date:	<b>298563EA</b>



VAT Vakuumventile AG  
CH-9469 Haag, Schweiz

## Product data sheet

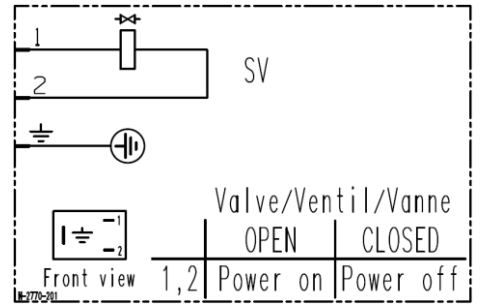
**Mini UHV gate valve, Series 010, DN 40 (ID 1½")**  
**Ordering No. 01032-UE34**

Behavior in case of compressed air pressure drop	– Valve closed – Valve open	valve remains closed undefined
Behavior in case of power failure	– Valve closed – Valve open	valve remains closed valve closes

### Electrical connections

#### Solenoid valve

Type	4/2-way
Voltage	Defined by order



Wiring diagram

Created by: SON	Release date: 2012-12-06	2 of 2
Modified by:	Release date:	298563EA