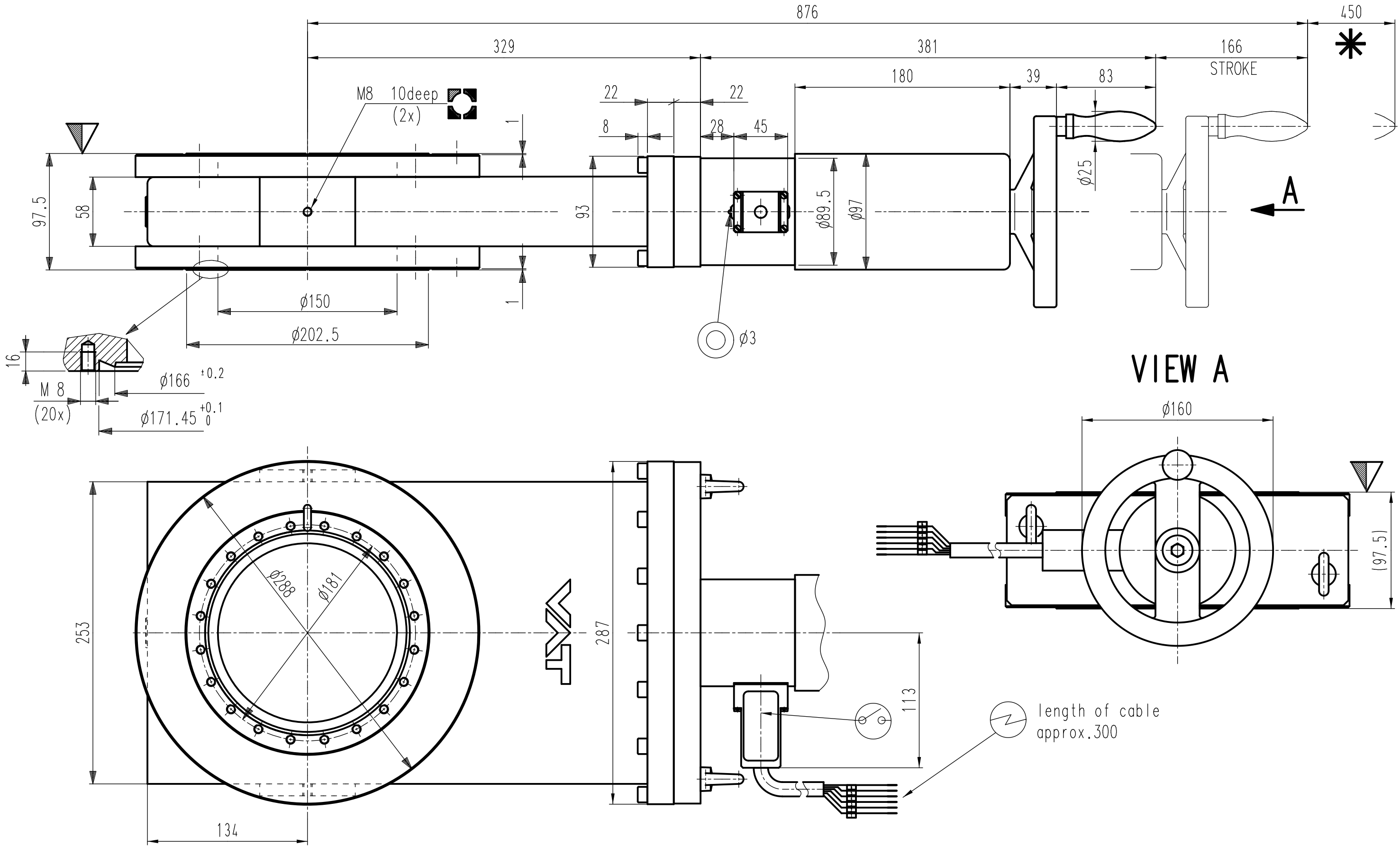


This drawing is the property of VAT.

Revision

Customer number



VIEW A

- ▼ Seat side
- ⊙ Comp. air connection
- ⊕ Electrical connection
- ⊖ Leak detection port
- ⊗ Mech. pos. indication
- ⊘ Position indicator
- ⊙\* Required for dismantling
- ⊙ Emergency actuation
- ⊙ For attachment
- ⊙ Bake-out area
- ⊙ Differential pumping port

**All-metal gate valve**

**VAT Vakuumventile AG**  
 CH-9469 Haag, Switzerland  
 Tel ++41 81 7716161 Fax ++41 81 7714830

Date: 18.11.05  
 Name: MAT

Series	482	Ordering No.	48244-CE05-0002
Projection E	DN	Flange	C
	160		
Dimensional Drawing	305698		Rev.