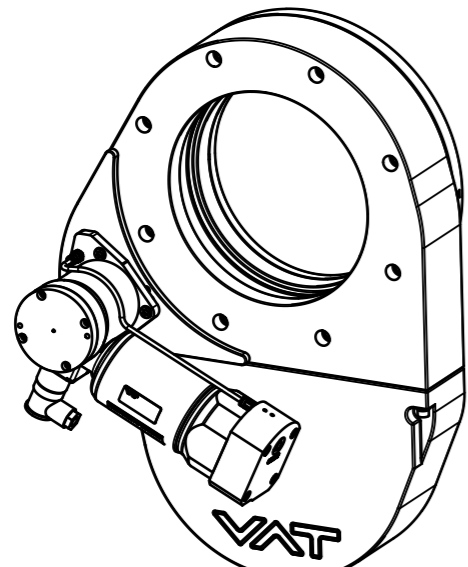
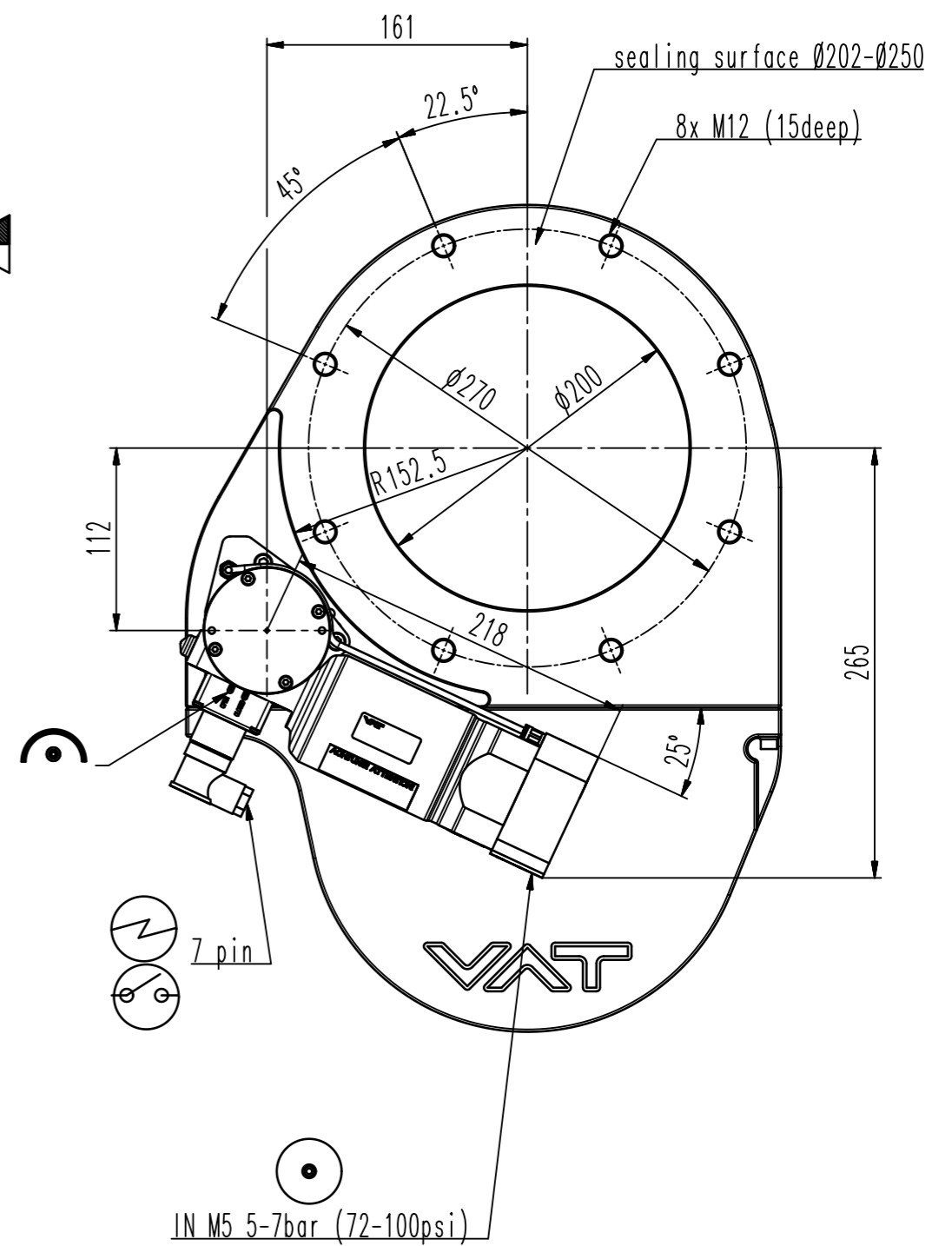
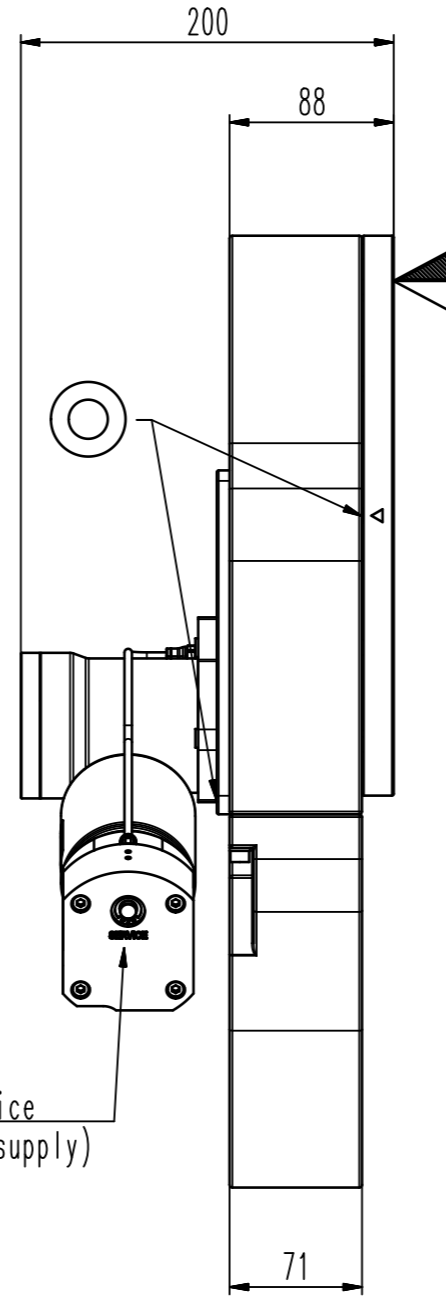
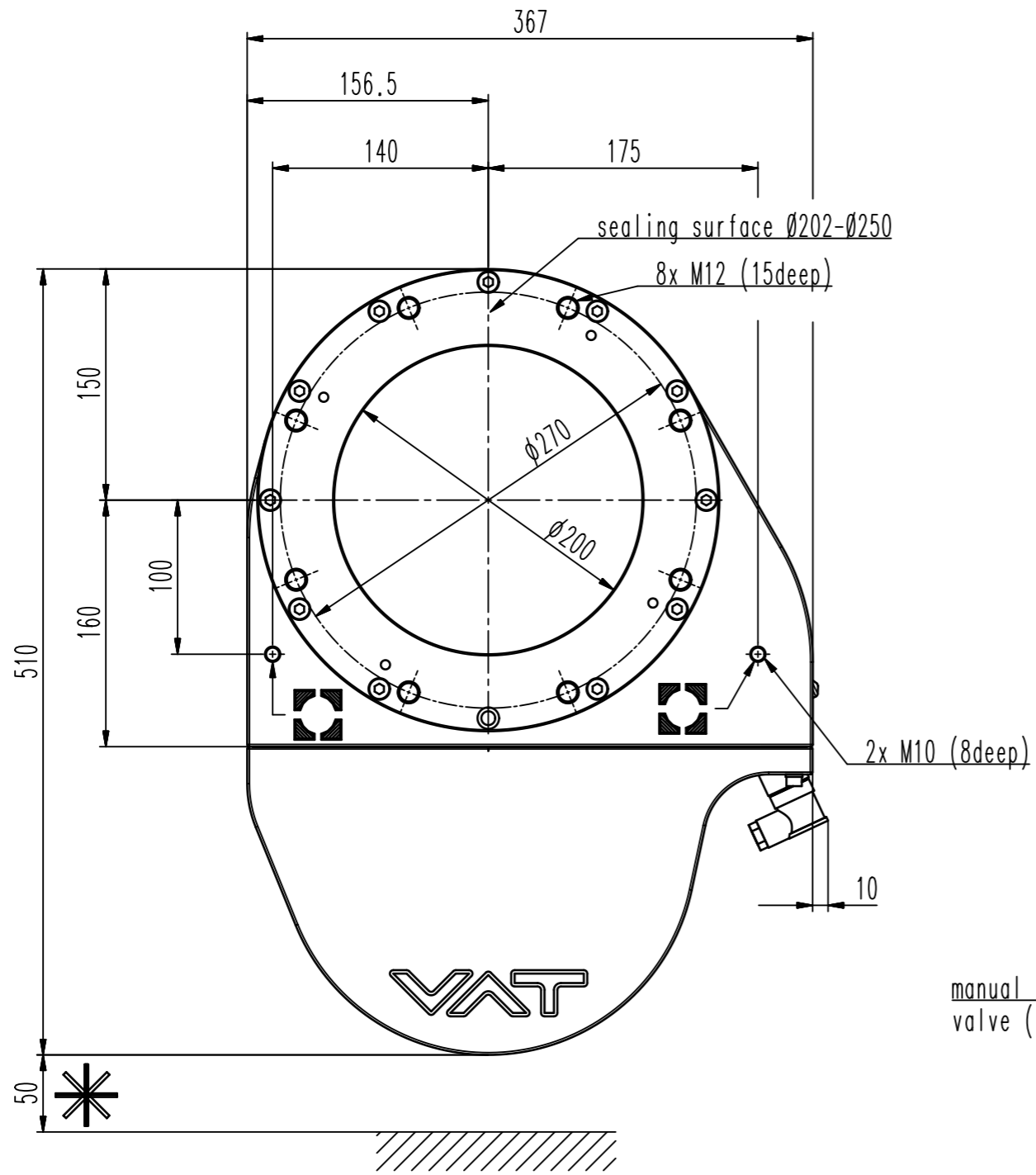


This drawing is the property of VAT.

Revision

Customer number



manual service valve (air supply)

IN M5 5-7bar (72-100psi)

- ▼ Seat side
- ⊙ Comp. air connection
- ⊙ Electrical connection
- ⊙ Leak detection port
- ⊙ Mech. pos. indication
- ⊙ Position indicator
- ⊙ Required for dismantling
- ⊙ Emergency actuation
- ⊙ For attachment
- ⊙ Bake-out area
- ⊙ Differential pumping port

Pendulum valve



VAT Vakuumentile AG
CH-9469 Haag, Switzerland
Tel ++41 81 7716161 Fax ++41 81 7714830

Date: 16.03.06
Name: DOC

| | | | |
|---------------------|-----|--------------|-----------------|
| Series | 162 | Ordering No. | 16246-JA21-0001 |
| Projection E | DN | Flange | JIS |
| Dimensional Drawing | 200 | Rev. | |
| | | | 313170 |