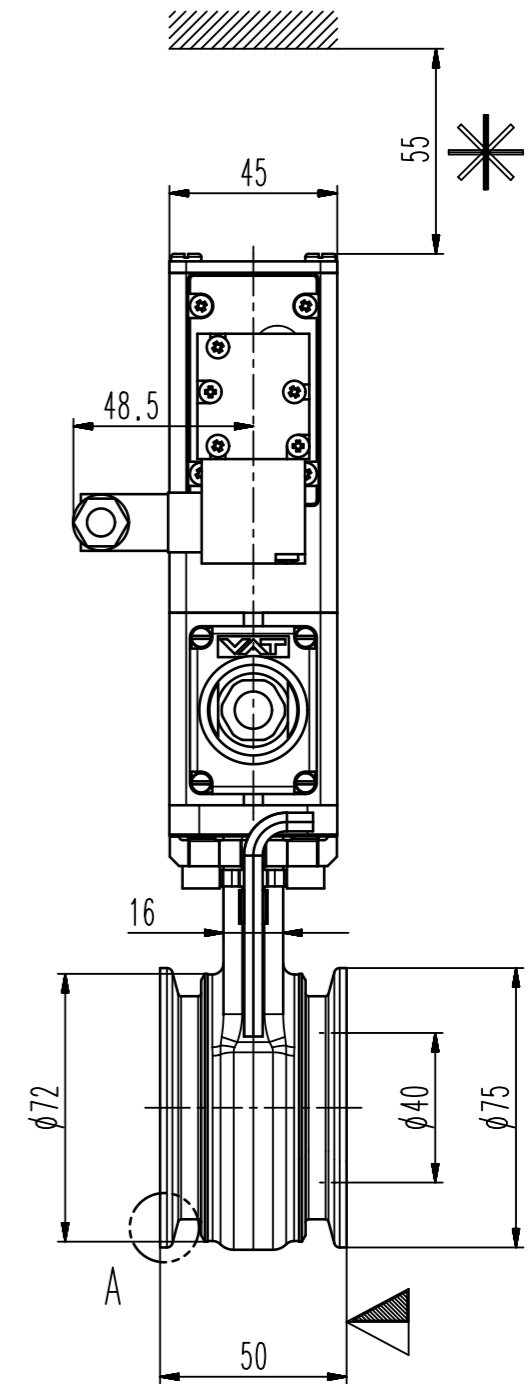
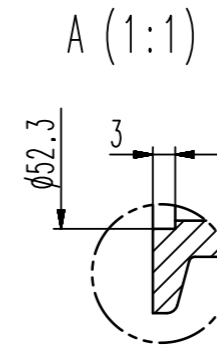
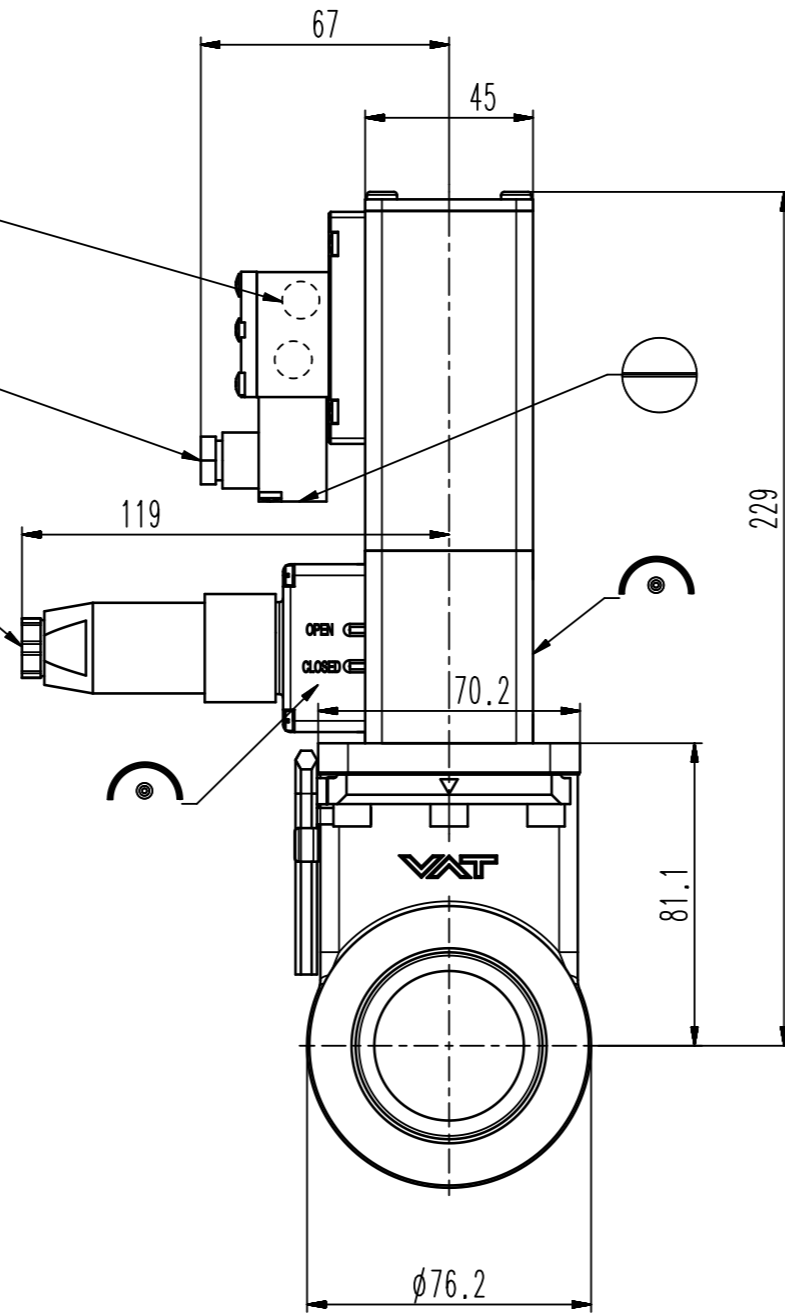


R1/8"
4.5-7 bar
(1/8" NPT for USA)

3 pin

7 pin



- ▼ Seat side
- ⊙ Comp. air connection
- ⊕ Electrical connection
- ⊙ Leak detection port
- ⊕ Mech. pos. indication
- ⊙ Position indicator
- ⊕ Required for dismantling
- ⊙ Emergency actuation
- ⊕ For attachment
- ⊙ Bake-out area
- ⊕ Differential pumping port

Mini UHV gate valve



VAT Vakuumventile AG
CH-9469 Haag, Switzerland
Tel ++41 81 7716161 Fax ++41 81 7714830

Date: 26.04.06
Name: WID

Series	010	Ordering No.	01034-KE44-0005
Projection E	DN	Flange	
	50	ISO-KF	
Dimensional Drawing	315555	Rev.	